

NEW ZEALAND REPAIR PARTS SCALE (NZRPS) 10008, ISSUE 5



NIIN	AIN	EIC
98 107 3684	TRUCK CARGO, 0.75T, 4X4, LANDROVER 3.5 V8, 109-IN	3AAC
98 204 3466	TRUCK CARGO, 0.75T, 4X4, LANDROVER 300 TDi, 109-IN	3HDJ

GENERAL INFORMATION

1. This New Zealand Repair Parts Scale (NZRPS) authorises units to maintain stocks of Class 9 stores within the authorised Grades of Repair (GOR). These are shown in the right hand column of each text screen and are abbreviated as:

- a. O - Operator maintenance;
- b. U – Unit grade repair;
- c. F – Field grade repair; and
- d. B – Base grade repair.

NEW ZEALAND REPAIR PARTS SCALE (NZRPS) 10008, ISSUE 5

2. Unit QM's are only to demand for items with a GOR of O unless a tradesperson is posted to the establishment then a GOR of U may be demanded. All units may demand and stock items graded below their GOR.

RELATED DOCUMENTS

3. Related documents to this NZRPS include;

a. NZCES 53, NZCES 1780;

b. NZP96 2.3.1.1; and

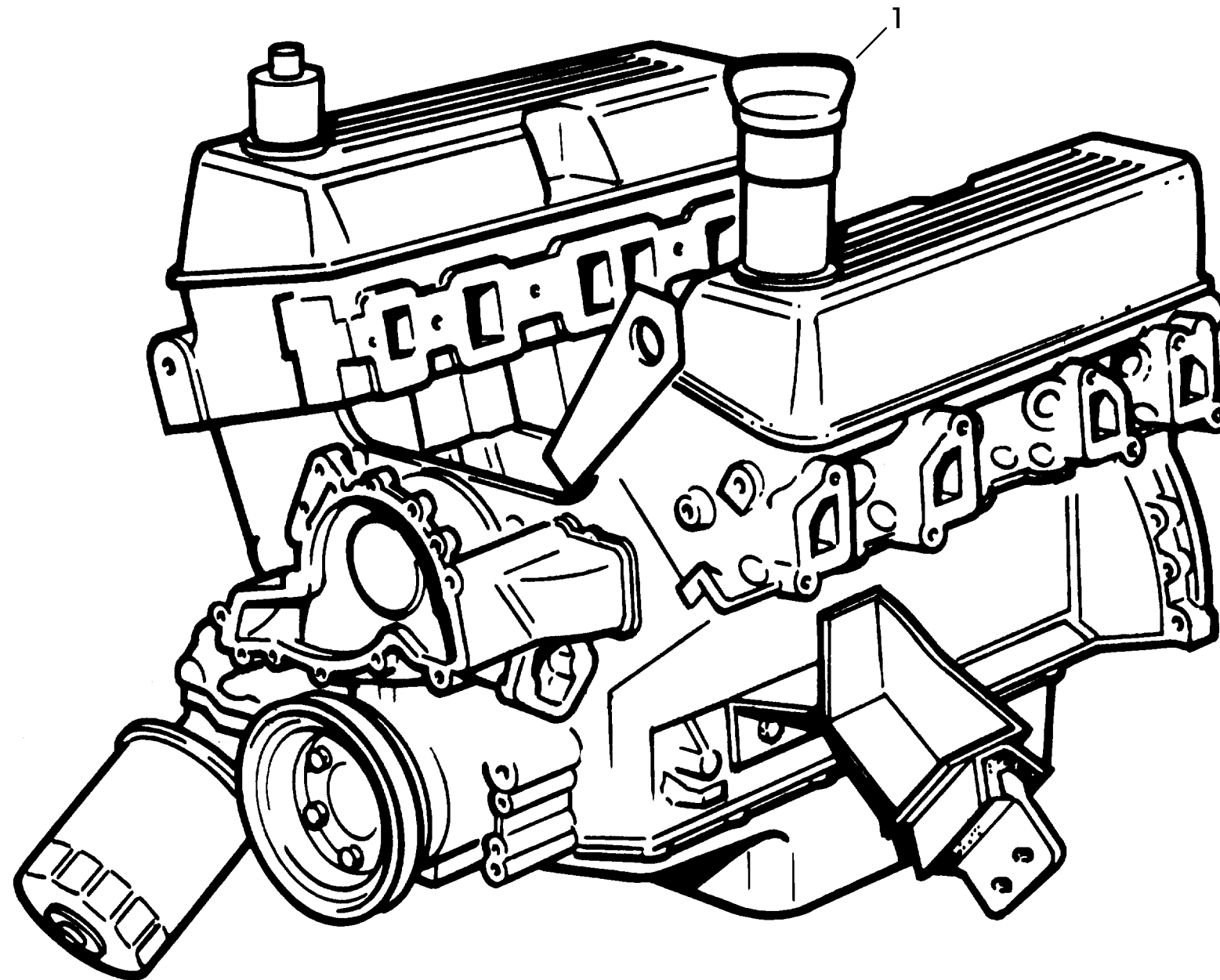
4. NZP98 B 270.

SAP BOM

5. This NZRPS is also viewable on SAP through the BOM workbench. It is recommended that where possible users view the NZRPS on SAP BOM for the latest NIIN information and technical detail.

POINT OF CONTACT (POC)

6. The POC for anomalies or suggested changes associated with this NZRPS is the EA (RPS) Auto, Mobility Systems Fleet, DFAM, Log Exec, Army GS on DtelN 347 7686 or 7635 or by Sig, Fax, Email or letter.



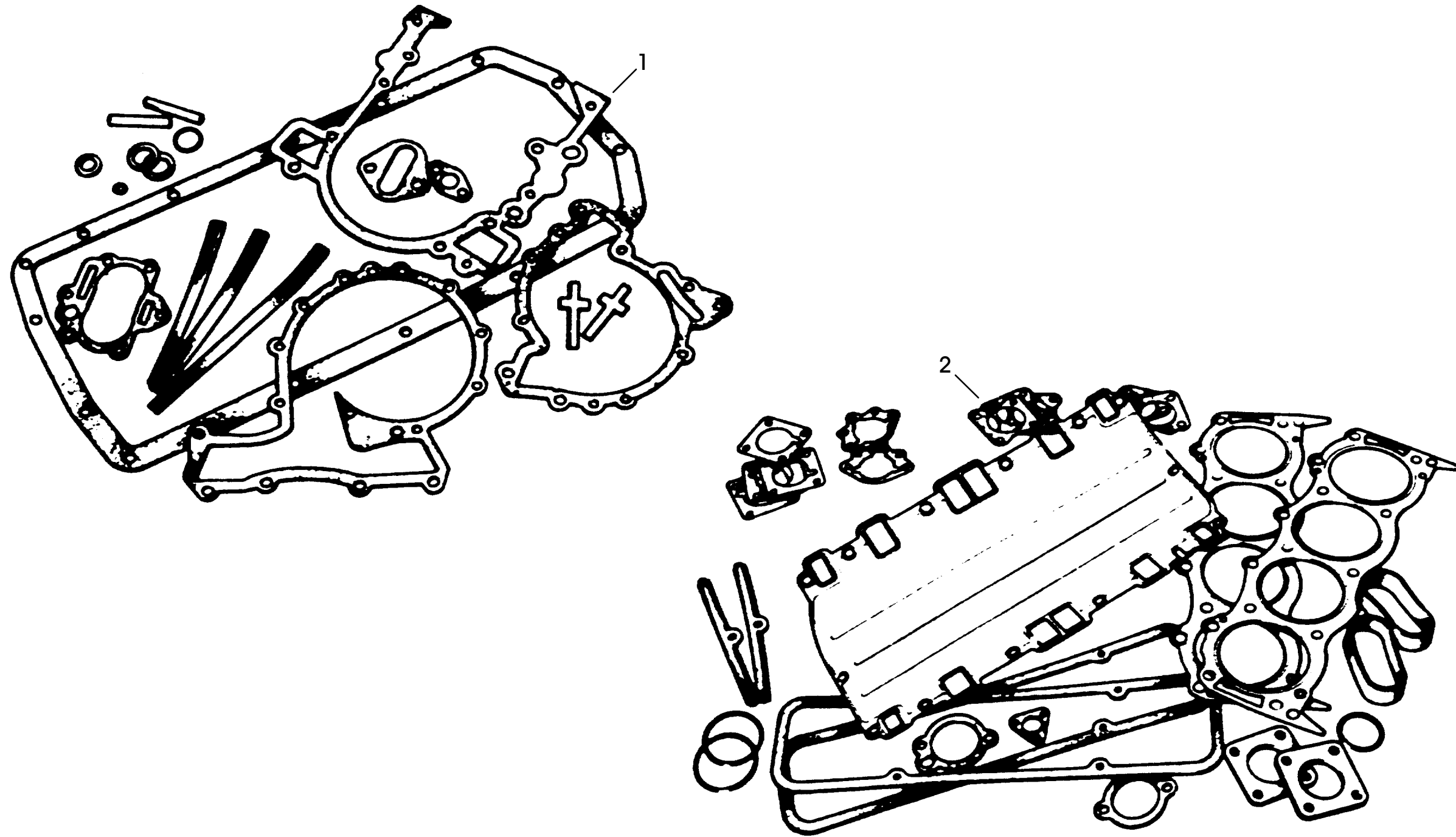
FOR ILLUSTRATION PURPOSES ONLY

TEXT

|__ 0001 ZPM1 R00000010 10008-1B3 V8 ENGINE, GASOLINE

	ITEM	NSN	DESCRIPTION	QTY	GOR
	__ 0000		10008-1B3	1	
	__ 0001	2805-98-856-0450	ENGINE,GASOLINE:V8 LANDROVER,MFR U1030-R V8 1/4	1	F

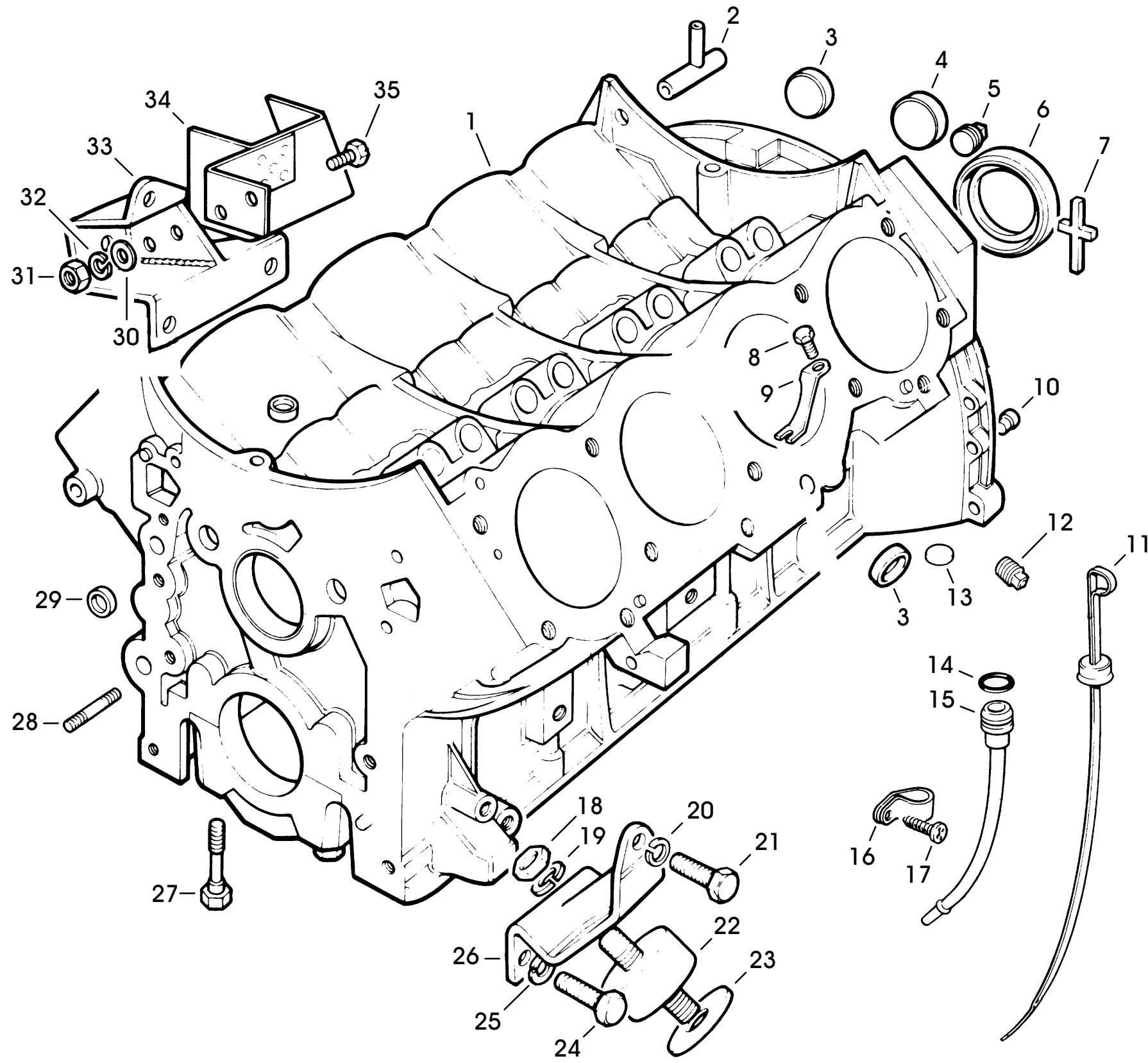
1C3 GASKET SETS (V8)



TEXT

|__ 0002 ZPM1 R00000025 10008-1D3 GASKET SETS (V8)

	ITEM	NSN	DESCRIPTION	QTY	GOR
	__ 0000		10008-1D3	1	
	__ 0001	5330-99-758-2091	GASKET SET (CYLINDER BLOCK KIT)	1	F
	__ 0002	5330-99-791-9340	GASKET SET DECARB (DECARBONISING KIT)	1	F



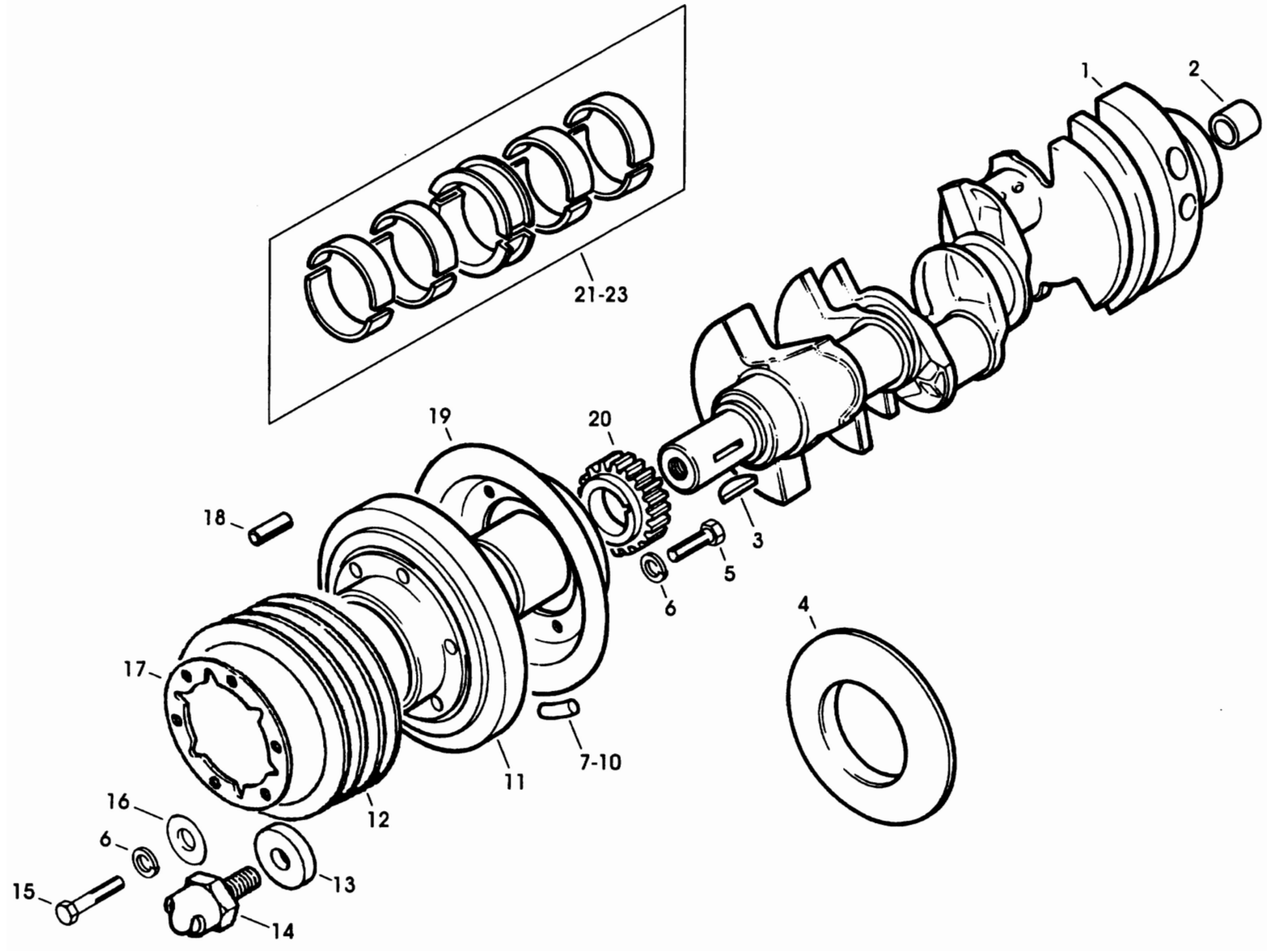
TEXT

0003 ZPM1 R00000039 10008-1F3 CYL BLOCK & ENGINE MOUNTS (V8)

ITEM	NSN	DESCRIPTION	QTY	GOR
0000		10008-1F3	1	
0001	2805-99-838-6609	ENGINE BLOCK ASSEMB	1	B
0002	2805-99-824-1936	PIPE,CRANKCASE BREA	1	F
0003	5340-99-824-1350	PLUG,EXPANSION	8	F
0004	5340-99-824-1352	PLUG,EXPANSION	1	F
0005	4730-99-824-1354	PLUG,PIPE	2	F
0006	5330-99-822-1741	SEAL,PLAIN	1	F
0007	5330-99-822-1742	SEAL,BEARING CAP	2	F
0008	5305-99-941-0510	SCREW,MACHINE:UNF,0.25-28,2A,STEEL,ZINC UNF, stl, zn pld, 0.250 - 28, 2A, 0.375-	1	F
0009	5340-99-796-5395	CLAMPING BRACKET	1	F
0010	5315-99-137-6097	PIN,STRAIGHT,HEADLE	2	F
0011	6680-99-796-6068	DIPSTICK,LIQUID QUA	1	U
0012	4730-99-194-5268	PLUG,PIPE:M.C.I.1/4IN-19 BSP TR EXT,SQ H 0.250 - 19BSP	2	F
0013	5340-99-824-1353	DISK, SOLID, PLAIN	2	F
0014	5330-99-101-2390	RING,SEALING,TOROID 0.812-in id, 1-in od, 0.109-in thk	1	U
0015	2990-99-796-5423	TUBE,OIL LEVEL,ASSEMBLY:C/O O-RING & TUB	1	F
0016	5340-99-796-5391	CLAMP,LOOP	1	F
0017	5305-99-941-8331	SCREW,MACHINE	1	F
0018	5310-99-135-6785	NUT,PLAIN,HEXAGON UNF, stl, cham brg surf, zn pld, 24 tpi,	4	U
0019	5310-99-941-6656	WASHER,LOCK:0.398IN.NOM ID,0.59IN.NOM OD stl, sp hlcl ring, 0.375-in nom bolt siz	4	U
0020	5310-99-941-6655	WASHER,LOCK,0.335-in id,0.503-in od,0.07 0.335-in id, 0.503-in od, 0.078-in thk s	2	U
0021	5305-99-941-0726	SCREW,MACHINE:UNC,0.438-14,2A,STEEL,ZINC UNC, 0.438 - 14, 2A, stl, zn pld, 0.875-	2	U
0022	5340-99-823-7210	MOUNT,RESILIENT S/S TO 99-257-7569	2	U
0023	5310-99-137-3862	WASHER,FLAT stl, zn pld, 10mm bolt size, 24mm od, 1.	2	U
0024	5305-99-941-9066	SCREW,MACHINE hex hd, stl, zn pld, 0.437 - 14UNC, 1.12	4	U
0025	5310-99-941-6657	WASHER,LOCK:0.46IN.NOM ID,0.677IN.OD,0.1 stl, sgl coil, sq sect cd pld, 0.437-in	4	U
0026	2990-99-796-6184	PLATE,MOUNTING,ENGI	2	F
0027	5306-99-137-6096	BOLT, EXTERNALLY RELIEVED BODY	10	B
0028	5307-99-137-6131	STUD,PLAIN	1	F
0029	5340-99-824-1351	PLUG-CUP	4	F
0030	5310-99-122-6474	WASHER,FLAT, M6x12.5x1.6mm, zn pld, stl 6.4mm id, 12.1mm od, 1.5mm thk, stl, zn	4	U
0031	5310-99-122-5295	NUT,PLAIN,HEXAGON:ISO M,6X1,STEEL,ZINC P M6 - 1p, stl, zn pld, gr 8	4	U
0032	5310-99-137-9232	WASHER,LOCK M6, 9.6mm o/d, 1.5mm thk, stl, zn pld	4	U
0033	2990-99-786-6750	BRACKET,MOUNTING,EN rh	1	F
0034	2990-99-796-5387	HEAT SHIELD,EXHAUST	1	F
0035	5305-99-122-5244	BOLT,MACHINE, M6x25 M6, 25mm lg, hex hd, zn pld	4	U

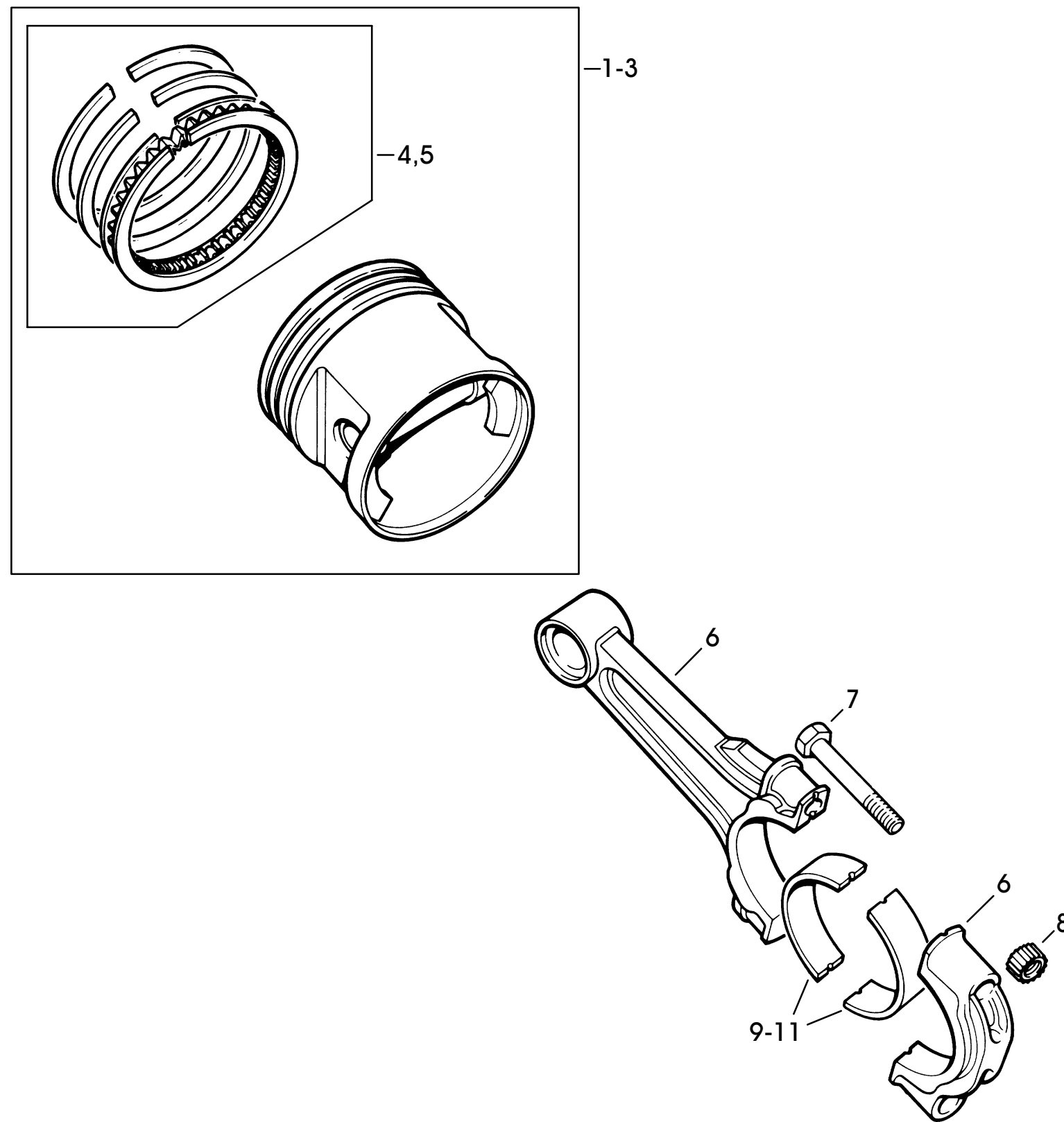
1G3

CRANKCASE (V8)



0004 ZPM1 R00000055 10008-1H3 CRANKSHAFT (V8)

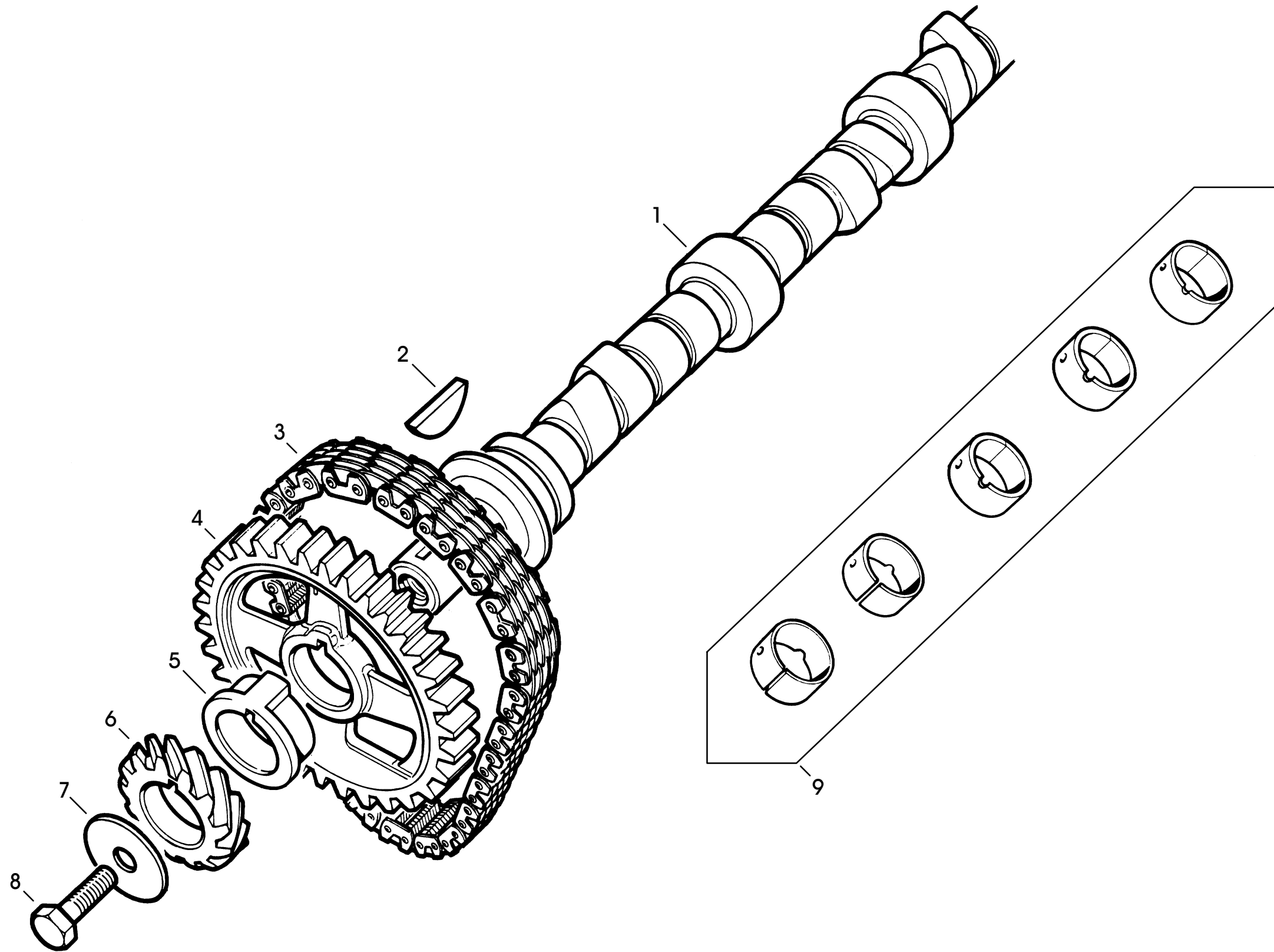
ITEM	NSN	DESCRIPTION	QTY	GOR
0000		10008-1H3	1	
0001	2805-99-751-8272	CRANKSHAFT,ENGINE	1	B
0002	3120-99-824-0917	BEARING,SLEEVE	1	F
0003	5315-99-137-6100	KEY,WOODRUFF	1	F
0004	2805-99-824-1711	DEFLECTOR,DIRT AND	1	F
0005	5306-99-122-5195	BOLT, MACHINE 0.375-24 x 1-in	3	F
0006	5310-99-941-6629	WASHER,LOCK,0.398-in id,sti,zn pld	6	F
0007	2805-99-757-7015	BALANCEWEIGHT 0.180 oz	1	B
0008	2805-99-757-7016	BALANCEWEIGHT 0.360 oz	1	B
0009	2805-99-757-7017	BALANCEWEIGHT 0.540 oz	1	B
0010	2805-99-757-7018	BALANCEWEIGHT 0.720 oz	1	B
0011	2805-99-824-1710	DAMPER,ENGINE CRANK:wse use 997980224 (WSE USE 2805-99-798224)	1	F
0012	3020-99-796-6060	PULLEY,GROOVED	1	F
0013	5310-99-137-6130	WASHER,FLAT	1	F
0014	2805-99-824-1368	STARTING DOG,CRANKS	1	F
0015	5306-99-941-0313	BOLT,MACHINE:UNF,STEEL,HEX HD,ZINC PLATE UNF, 0.375-in, 1.500-in lg, zn pld	3	F
0016	5310-12-156-5471	WASHER,FLAT,M10 M10, 20mm od, 2mm thk, sti, zn pld	3	F
0017	5365-99-796-5390	SPACER,PLATE	1	F
0018	5315-99-137-6099	PIN,SPRING	1	F
0019	2805-99-824-1712	BALANCING RIM,CRANK	1	F
0020	3020-99-824-0918	SPROCKET WHEEL	1	F
0021	3120-99-828-0472	BEARING 1/2 SET SLEEVE (STANDARD)	1	B
0022	3120-99-829-9550	BEARING HALF SET,SL (0.010-in O/S)	1	B
0023	3120-99-829-9551	BEARING HALF SET,SL (0.020-in O/S)	1	B



TEXT

___ 0005 ZPM1 R00000070 10008-1J3 PISTON & CONNECTING ROD (V8)

ITEM	NSN	DESCRIPTION	QTY	GOR
___ 0000		10008-1J3	1	
___ 0001	2805-99-754-7314	PISTON,INTERNAL COM (STD, C/W RINGS)	8	B
___ 0002	2805-99-754-7312	PISTON,INTERNAL COM (0.020-in O/S, C/W RINGS)	8	B
___ 0003	2805-98-DAB-8146	PISTON, INTERNAL CO f/LR 0.40-in oversize	8	B
___ 0004	2805-99-754-7316	RING SET,PISTON (STANDARD)	8	B
___ 0005	2805-99-754-7317	RING SET,PISTON (0.020-in O/S)	8	B
___ 0006	2805-99-824-1369	CONNECTING ROD,PISTON V8. (C/W BOLTS)	8	B
___ 0007	2805-99-137-6101	BOLT,CONNECTING-ROD	16	B
___ 0008	5310-99-137-6129	NUT,PLAIN,DODECAGON	16	B
___ 0009	3120-99-828-6773	BEARING HALF SET,SLEEVE (STANDARD)	1	B
___ 0010	3120-99-829-1954	BEARING HALF SET,SL 0.010-in u/size, conn rod brgs, 16 halve	1	B
___ 0011	3120-99-829-6057	BEARING HALF SET,SL (0.020-in O/S)	1	B

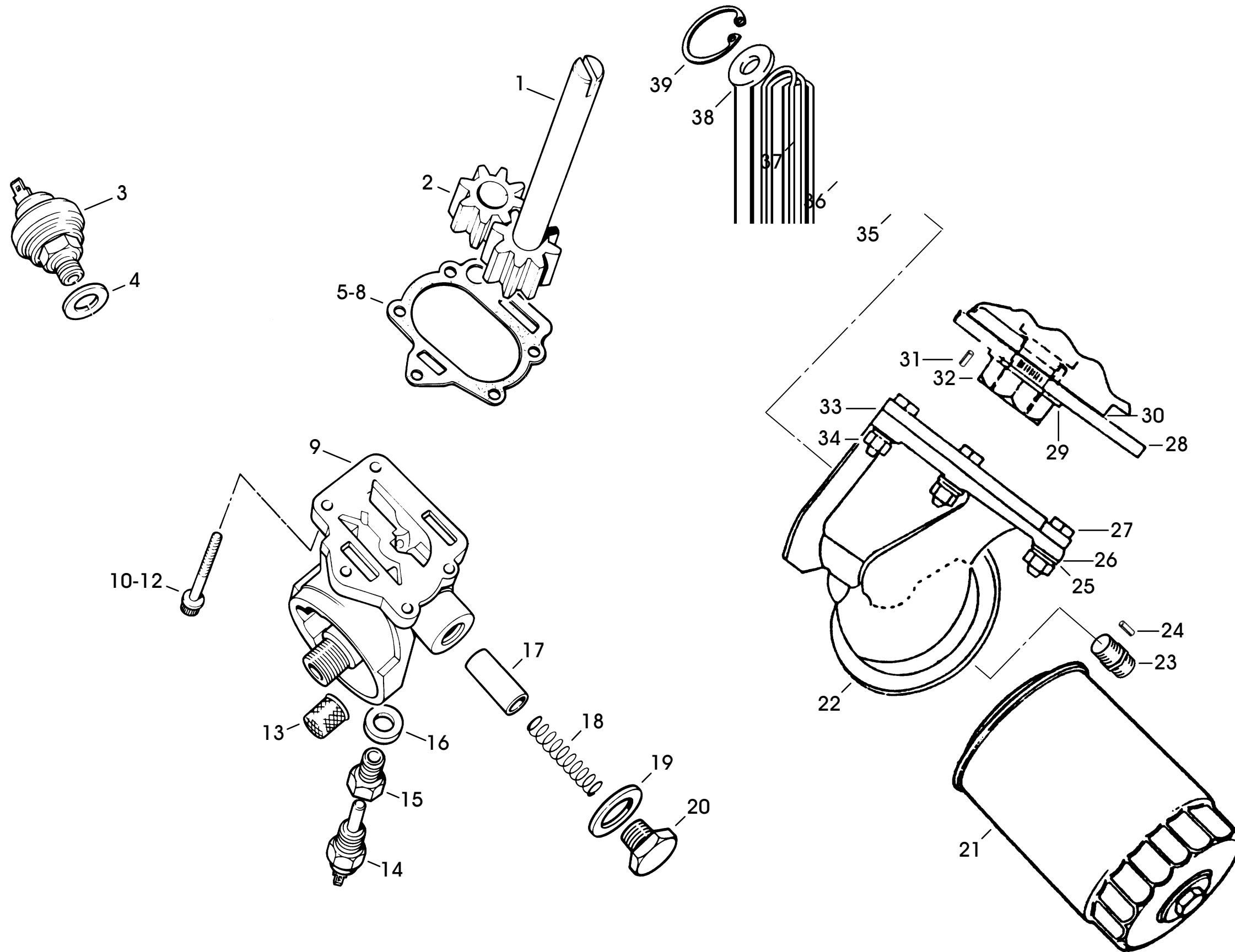


TEXT

___ 0006 ZPM1 R00000085 10008-1L3 CAMSHAFT & GEARS (V8)

ITEM	NSN	DESCRIPTION	QTY	GOR
___ 0000		10008-1L3	1	
___ 0001	2805-99-788-9320	CAMSHAFT, ENGINE	1	F
___ 0002	5315-99-829-9557	KEY,CHAINWHEEL 1.375-in lg, 0.187-in w, 0.187-in h	1	F
___ 0003	2805-99-824-1593	CHAIN,TIMING	1	F
___ 0004	3020-99-824-1590	SPROCKET WHEEL	1	F
___ 0005	5365-99-829-9558	SPACER,GEAR iron, with keyway	1	F
___ 0006	3020-99-829-9559	GEAR,HELICAL	1	F
___ 0007	5310-99-759-2941	WASHER,FLAT	1	F
___ 0008	5306-99-137-6102	BOLT,MACHINE	1	F
___ 0009	3120-98-202-3489	BEARING HALF SET,SL	1	B

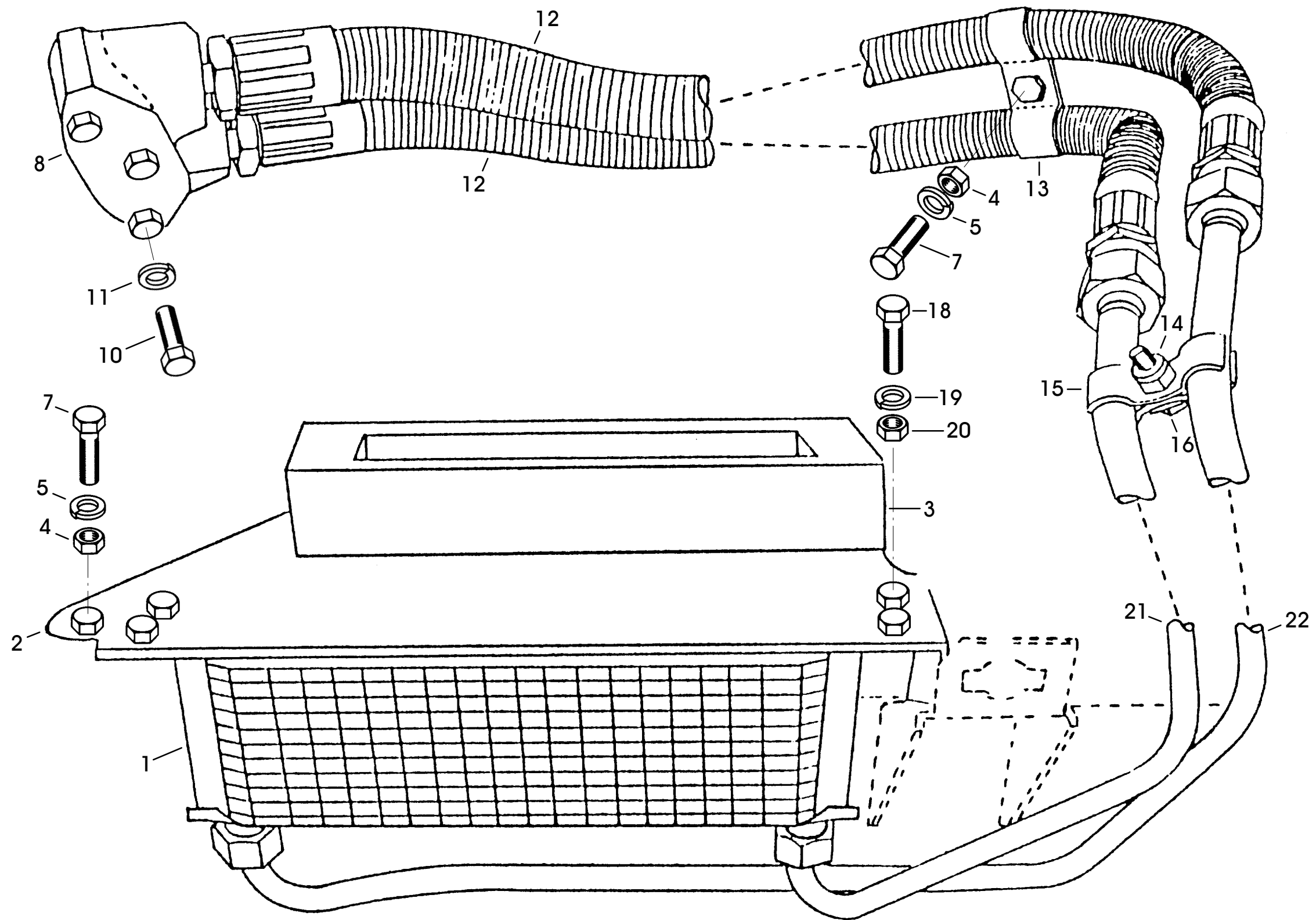
1M3 OIL PUMP AND FILTER (V8)



TEXT

0007 ZPM1 R00000100 10008-1N3 OIL PUMP & FILTER (V8)

ITEM	NSN	DESCRIPTION	QTY	GOR
0000		10008-1N3	1	
0001	3040-99-829-9562	GEAR AND SHAFT ASSE landrover	1	F
0002	3020-99-829-9563	GEAR,SPUR landrover	1	F
0003	5930-99-829-9565	SWITCH,PRESSURE	1	U
0004	5330-99-850-0344	GASKET:COPPER,0.451IN.INT DIA,0.675IN.OD	1	U
0005	5330-98-204-1356	GASKET: 0.006-in thk	1	F
0006	5330-98-204-1357	GASKET: OIL 0.009-in, thk	1	F
0007	2805-99-824-1921	GASKET,OIL PUMP COV 0.011-in, thk (STANDARD SIZE SUPPLIED)	1	F
0008	5330-98-204-1358	GASKET: 0.015-in, thk	1	F
0009	2805-99-829-9560	COVER,OIL PUMP (C/O ITEMS 13-20)	1	F
0010	5305-99-829-9564	SCREW,O1L PUMP dbl hex, extended wshr hd, stl, 0.250 -	3	F
0011	5306-99-137-9090	BOLT,MACHINE dbl hex hd, extended wshr, stl, 0.250 -	2	F
0012	5306-99-137-9091	BOLT,MACHINE dbl hex hd, extended wshr, stl, 0.250 -	1	F
0013	2940-99-829-9561	STRAINER ELEMENT,SE	1	F
0014	6685-99-796-7525	THERMOCOUPLE,IMMERS XMTR, eng oil temp, V8 Landrover	1	U
0015	4730-99-796-5392	ADAPTOR,STRAIGHT,PI	1	F
0016	5330-99-850-0445	GASKET:COPPER,0.492IN.DIA APERTURE,0.836	1	F
0017	2805-99-824-1616	PLUNGER,OIL PRESSUR	1	F
0018	5360-99-824-1617	SPRING,HELICAL,COMP	1	F
0019	5310-99-137-6112	WASHER,FLAT	1	F
0020	2805-99-757-6977	PLUG SCREWED	1	F
0021	2940-99-829-9514	FILTER,FLUID,PRESSURE V8 OIL	1	O
0022	2940-99-796-5429	BY-PASS ADAPTOR	1	F
0023	2590-99-796-5439	INSERT	1	F
0024	5315-99-796-5389	PIN, STRAIGHT, HEADLESS	1	F
0025	5310-99-941-6655	WASHER,LOCK,0.335-in id,0.503-in od,0.07 0.335-in id, 0.503-in od, 0.078-in thk s	5	F
0026	5310-99-122-6475	WASHER,FLAT, 0.312-in SIDEPOST 0.312-in id, zn pld	5	F
0027	5305-99-941-0528	SCREW,HEX HEAD,UNF 0.312-24,1.125-in lg UNF, S stl, hex hd, zn pld, 0.312-in, 1.	5	F
0028	2990-99-796-6078	BASE PLATE	1	F
0029	5310-99-796-5433	WASHER,FLAT	1	F
0030	5330-99-796-6077	GASKET	1	F
0031	5315-99-762-3204	PIN	1	F
0032	5310-99-796-5430	NUT,SLEEVE.OIL PUMP.	1	F
0033	5330-99-796-5407	GASKET.OIL PUMP HOUSING.	1	F
0034	5310-99-136-1515	NUT,PLAIN,HEX,UNF 0.312-in,0.5-in AF, UNF, stl, zn pld, 0.312-in dia, 0.5-in A	5	F
0035	6620-99-796-5435	THERMOSTAT,FLOW CONTROL	1	F
0036	5310-99-796-5434	WASHER, FLAT	1	F
0037	5360-99-796-5436	SPRING,HELICAL,COMP	1	F
0038	5340-99-796-5437	SEAT, HELICAL COMPRESSION SPRING	1	F
0039	5365-99-710-8076	RING, RETAINING	1	F



ITEM(S) NOT ILLUSTRATED

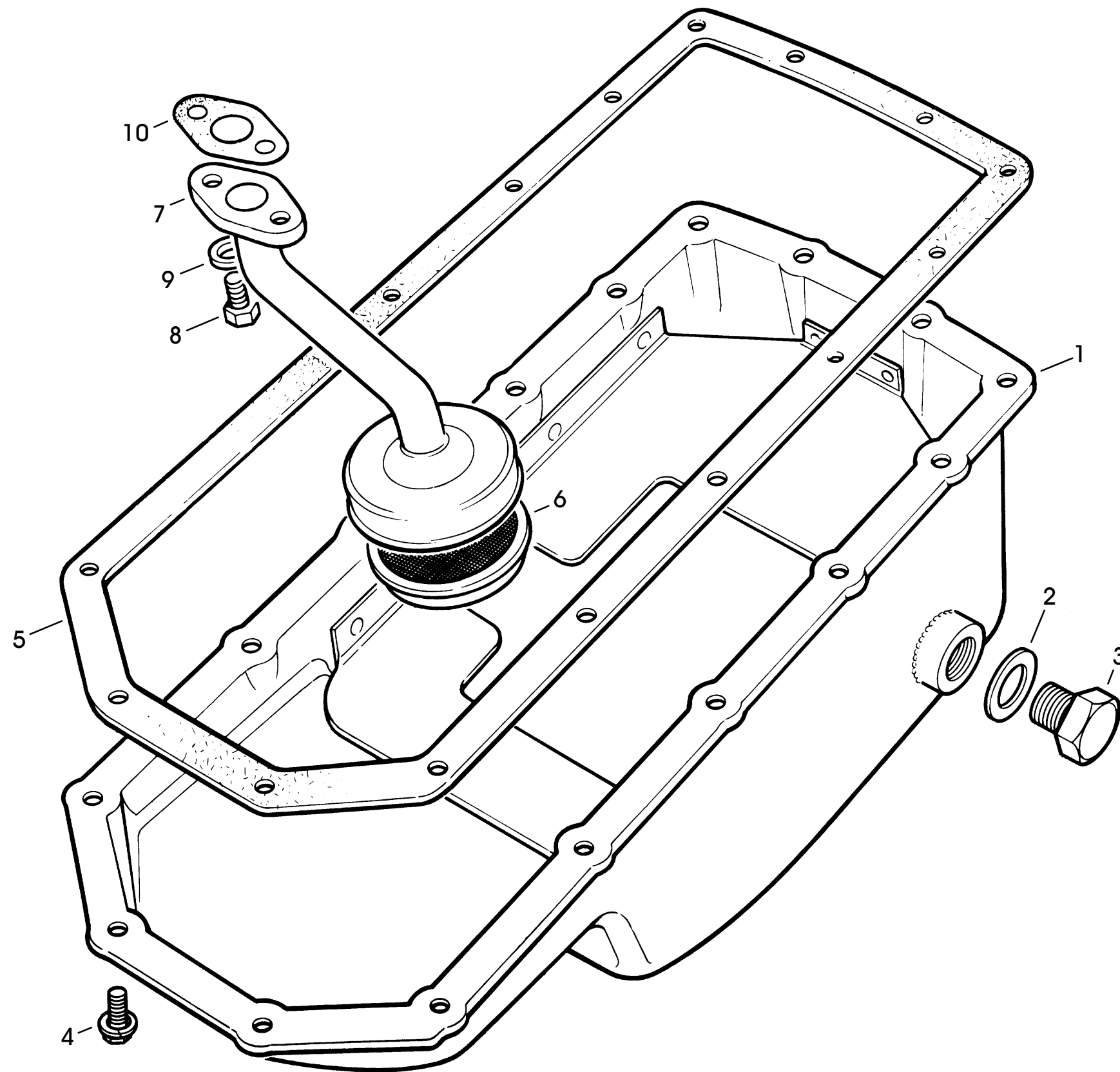
6, 9, 17

TEXT

___ 0008 ZPM1 R00000011 10008-1B4 OIL COOLER (V8)

ITEM	NSN	DESCRIPTION	QTY	GOR
___ 0000		10008-1B4	1	
___ 0001	2930-98-856-3702	COOLER,LUBRICATING OIL,ENGINE:ENGINE,V8	1	F
___ 0002	2590-99-796-6194	MNTNG AND DUCT,PACKING PCE ASSEMBLY MNT	1	F
___ 0003	5330-99-796-6195	SEAL,OIL COOLER DUCT	1	U
___ 0004	5310-99-122-5296	NUT,PLAIN,HEXAGON M8 - 1.25p, stl, zn pld, 8.8	2	U
___ 0005	5310-99-138-9227	WASHER, LOCK, M8 x 13 x 2mm thk 8mm id, 12.750mm od, 2mm thk, sp hlcl ri	2	U
___ 0006	2540-99-796-6182	ANCHOR BRACKET,ASSE	1	F
___ 0007	5305-99-122-5365	SCREW, CAP, HEXAGON HEAD	2	U
___ 0008	2520-99-796-5440	COVER PLATE,ACCESS	1	F
___ 0009	5330-99-943-9597	RING,SEALING,TOROID 0.688-in id, 0.875-in od, 0.103-in thk	2	F
___ 0010	5305-99-941-0686	SCREW,HEX HEAD,UNC 0.25-20,0.625-in lg, UNC, stl, hex hd, zn pld, 0.250-in dia,	3	F
___ 0011	5310-99-941-6654	WASHER,LOCK,0.250-in id,0.425-in od,0.07 stl, sp hlcl ring, 0.250-in blt size, 0.	3	F
___ 0012	4720-99-796-6191	HOSE ASSEMBLY,RUBBE	2	U
___ 0013	5340-99-796-6188	STRAP,RETAINING	2	U
___ 0014	5310-98-105-5249	NUT,SELF-LOCKING,HEX,M6-1p,nyloc,stl Nyloc M6	1	U
___ 0015	5340-99-825-9257	STRAP,RETAINING	2	U
___ 0016	5305-99-122-5361	SCREW, HEXAGON HEAD, M6x20 M6 - 1p, 20mm lg, stl zn pld	1	U
___ 0017	5340-99-796-6178	BRACKET, PIPE SUPPORT	1	F
___ 0018	5305-99-122-5360	SCREW,MACHINE	6	U
___ 0019	5310-99-137-9232	WASHER,LOCK M6, 9.6mm o/d, 1.5mm thk, stl, zn pld	6	U
___ 0020	5310-99-122-5295	NUT,PLAIN,HEXAGON:ISO M,6X1,STEEL,ZINC P M6 - 1p, stl, zn pld, gr 8	6	U
___ 0021	4730-99-796-6192	PIPE,STEEL	1	F
___ 0022	4730-99-796-6193	PIPE,STEEL	1	F

1C4 SUMP (V8)

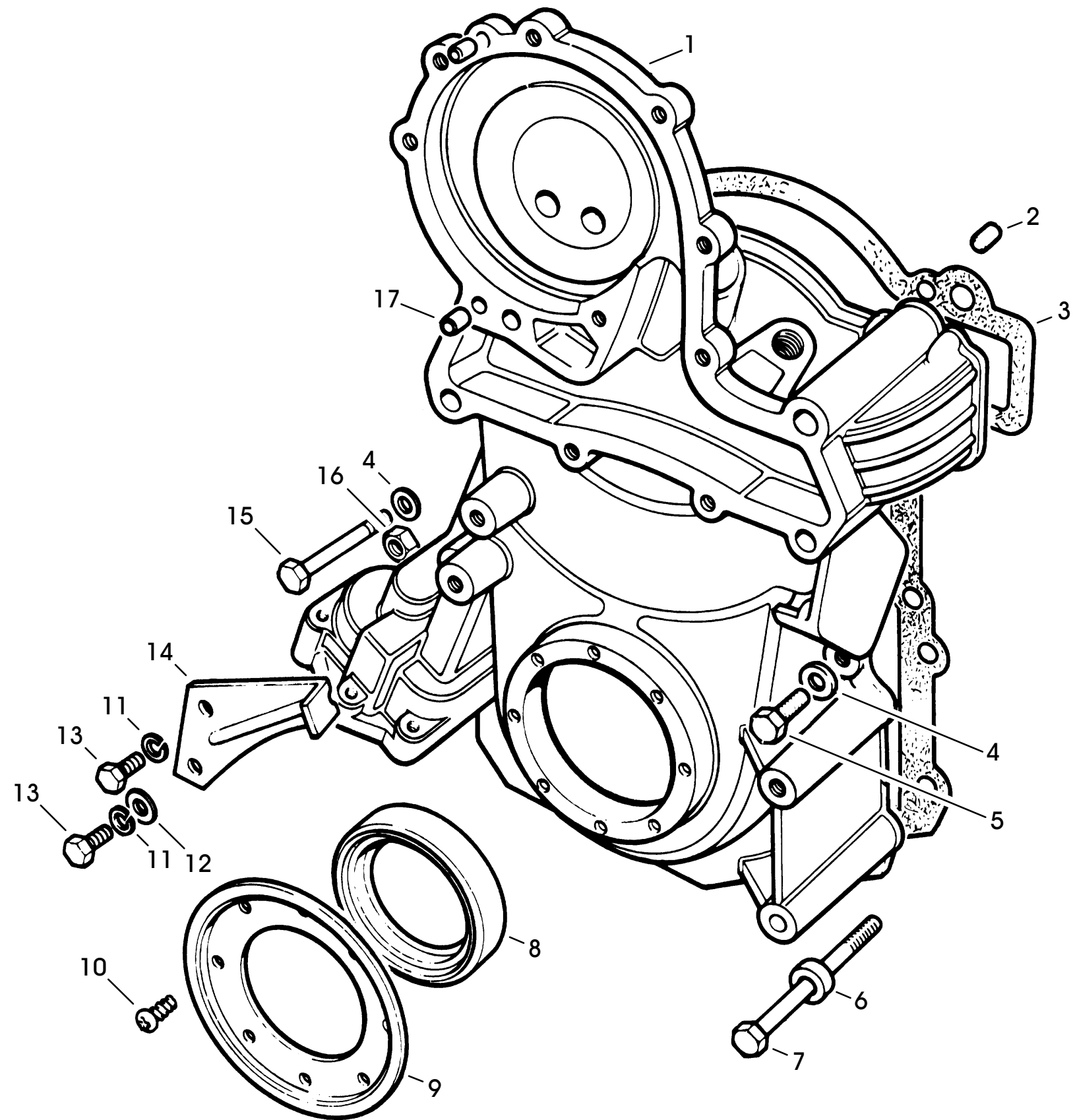


TEXT

___ 0009 ZPM1 R00000026 10008-1D4 SUMP (V8)

ITEM	NSN	DESCRIPTION	QTY	GOR
___ 0000		10008-1D4	1	
___ 0001	2805-99-824-1359	SUMP,ENGINE	1	U
___ 0002	5330-99-850-0667	GASKET:ASBESTOS & COPPER,0.825IN.APERTUR	1	O
___ 0003	5365-99-824-1360	PLUG,SCREWED	1	U
___ 0004	5306-99-137-6098	BOLT,ASSEMBLED WASH	16	U
___ 0005	5330-99-822-1737	GASKET,SUMP landrover	1	U
___ 0006	2940-99-824-1362	SCREEN ASSEMBLY,OIL	1	U
___ 0007	2940-99-796-5393	HOUSING,PIPE AND FL	1	U
___ 0008	5305-99-941-0714	SCREW,HEX HEAD,UNC 0.375-in,1-in lg,sti, 20 UNC, 0.875-IN LG) (ALTERNATE NSN 5305-99-941-0688, 0.250-	2	U
___ 0009	5310-99-941-6654	WASHER,LOCK,0.250-in id,0.425-in od,0.07 sti, sp hlcl ring, 0.250-in blt size, 0.	2	U
___ 0010	2940-99-824-1363	GASKET,OIL PUMP	1	U

1E4 FRONT COVER (V8)

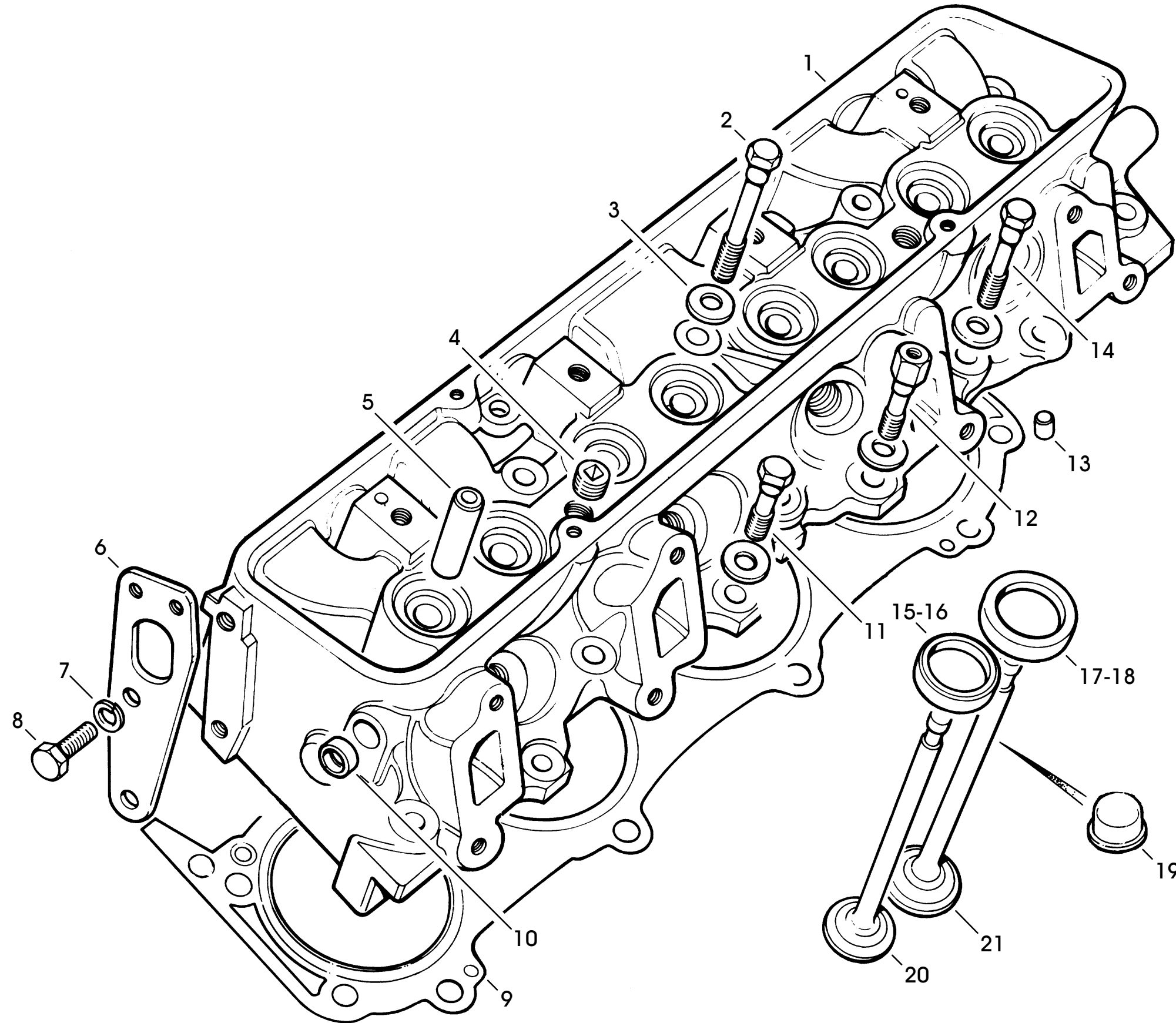


TEXT

___ 0010 ZPM1 R00000040 10008-1F4 FRONT COVER (V8)

ITEM	NSN	DESCRIPTION	QTY	GOR
___ 0000		10008-1F4	1	
___ 0001	2805-99-254-1384	COVER (1), TIMING G c/w mud excluder oil seal, 2 dowels and	1	F
___ 0002	5315-99-137-6111	PIN, STRAIGHT, HEADLESS	2	F
___ 0003	2805-99-823-6053	GASKET,TIMING COVER USE 994130350	1	F
___ 0004	5310-98-204-1638	WASHER (1), FLAT: 0.312 x 0.125-in thk	4	F
___ 0005	5305-99-941-0702	SCREW,MACHINE:UNC,0.312-18,2A,STEEL,ZINC UNC, 0.312 - 18, 2A, stl, zn pld, 1.250-	2	F
___ 0006	5310-99-137-7185	WASHER steel, phos finish, 0.328-in id, 0.625-in	1	F
___ 0007	5306-99-137-6135	BOLT,MACHINE 5/16 UNC X stl, hex hd, zn pld, 0.312-in 18 UNC, 3.	1	F
___ 0008	5330-99-990-8518	SEAL, PLAIN LR (FORMALLY 5330-99-733-1295)	1	F
___ 0009	2805-99-850-0495	DEFLECTOR,DIRT AND LIQUID:STEEL,FLANGED	1	F
___ 0010	5305-99-914-5426	SCREW, TAPPING THREAD	8	F
___ 0011	5310-99-941-6654	WASHER,LOCK,0.250-in id,0.425-in od,0.07 stl, sp hlcl ring, 0.250-in blt size, 0.	1	F
___ 0012	5310-99-120-4032	WASHER, FLAT, 0.250 x 562 x 0.056-in thk stl, zn pld, 0.250-in nom blt size, 0.56	1	F
___ 0013	5305-99-941-0686	SCREW,HEX HEAD,UNC 0.25-20,0.625-in lg, UNC, stl, hex hd, zn pld, 0.250-in dia,	2	F
___ 0014	2990-99-796-5394	TIMING POINTER	1	F
___ 0015	5306-99-941-1544	BOLT,MACHINE hex hd, stl, zn pld, 0.312-in 18UNC, 3-i	1	F
___ 0016	5310-99-941-0925	NUT,PLAIN,HEXAGON, UNF 0.312 UNF, 0.312-in, 0.500-in A/F, stl, zn pld	1	F
___ 0017	5315-99-137-6110	PIN,STRAIGHT,HEADLE	2	F

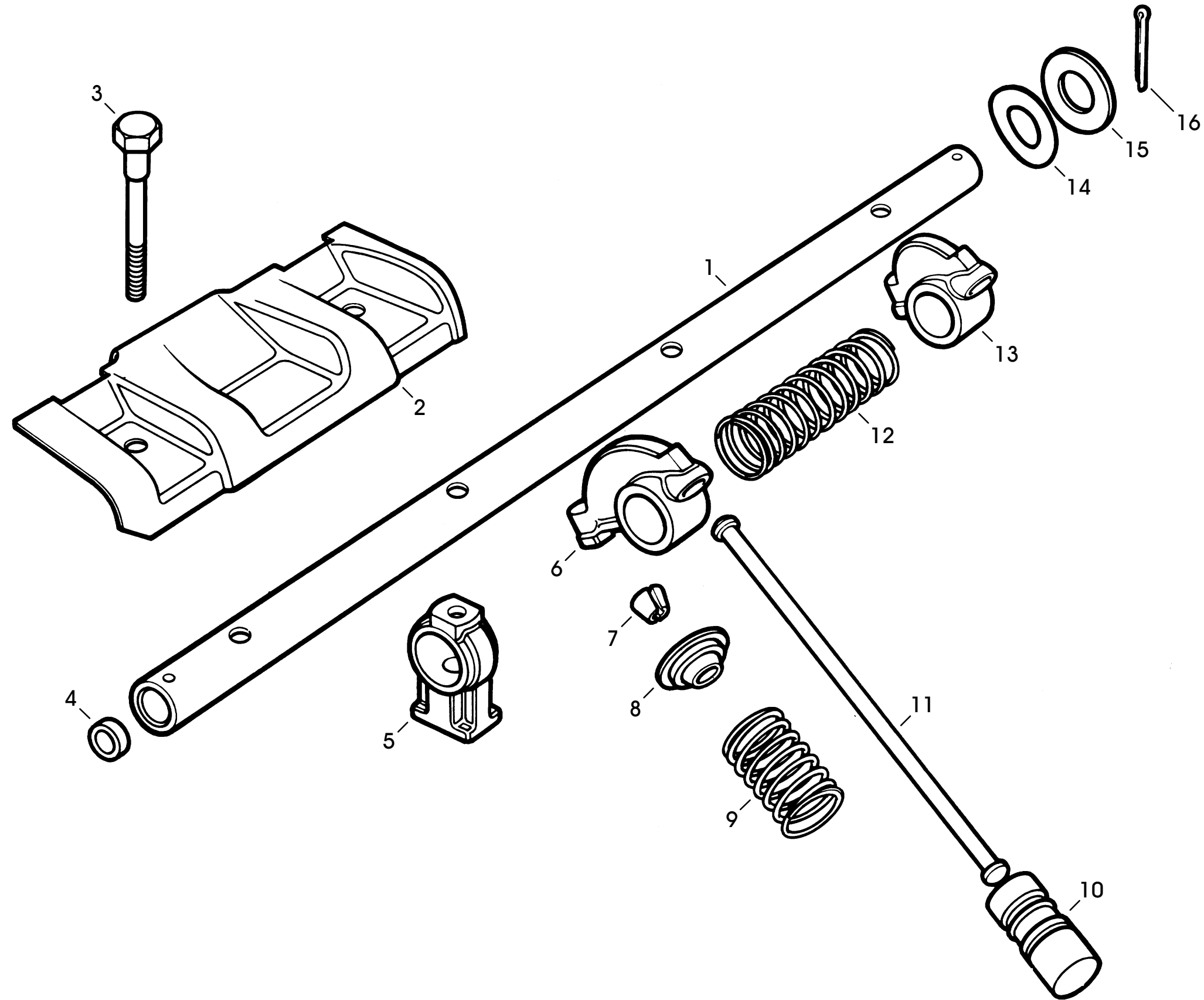
1G4 CYLINDER HEAD (V8)



TEXT

___ 0011 ZPM1 R00000056 10008-1H4 CYLINDER HEAD (V8)

ITEM	NSN	DESCRIPTION	QTY	GOR
___ 0000		10008-1H4	1	
___ 0001	2805-99-829-9566	CYLINDER HEAD,GASOL	2	F
___ 0002	5306-99-137-6107	BOLT,EXTERNALLY REL hex hd, stl, phos fin, 0.437-in 14UNC, 3	6	F
___ 0003	5310-99-137-6108	WASHER,FLAT	28	F
___ 0004	4730-99-824-1610	PLUG,PIPE	4	F
___ 0005	2805-99-824-1602	GUIDE,ENGINE VALVE	16	F
___ 0006	2805-99-824-1612	BRACKET, ENGINE LIFTING	1	F
___ 0007	5310-99-941-6656	WASHER,LOCK:0.398IN.NOM ID,0.59IN.NOM OD stl, sp hlcl ring, 0.375-in nom bolt siz	2	F
___ 0008	5305-99-941-0713	SCREW,MACHINE:UNC,0.375-16,2A,STEEL,ZINC UNC, S stl, hex hd, zn pld, 0.375-in lg,	2	F
___ 0009	5330-99-827-8762	GASKET,CYLINDER HEAD	2	F
___ 0010	5340-99-824-1611	PLUG,EXPANSION	4	F
___ 0011	5306-99-137-6105	BOLT,EXTERNALLY REL hex hd, phos finish 0.437-in 14 unc, 2.2	7	F
___ 0012	5306-99-137-6109	BOLT HEX.HEAD phos finish, 0.437-in 14 UNC, 2.50-in lg	1	F
___ 0013	5315-99-137-6104	PIN,STRAIGHT,HEADLE	4	F
___ 0014	5306-99-137-6106	BOLT,EXTERNALLY REL hex hd, stl, phos fin, 0.437-in 14UNC, 2	14	F
___ 0015	2805-99-829-9569	SEAT,VALVE (EXHAUST, STD SIZE)	8	B
___ 0016	2805-99-829-9570	SEAT,VALVE (EXHAUST, 0.010-in O/S)	8	B
___ 0017	2805-99-829-9567	SEAT,VALVE (INLET, STD SIZE)	8	B
___ 0018	2805-99-829-9568	SEAT,VALVE (INLET, 0.010-in O/S)	8	B
___ 0019	2805-98-204-1563	7EAL,VALVE STEM rbr (SEAL, INLET VALVE)	8	F
___ 0020	2805-99-829-9572	VALVE,EXHAUST,ENGINE V8 (EXHAUST)	8	F
___ 0021	2805-99-829-9571	VALVE,INLET,ENGINE V8 (INLET)	8	F

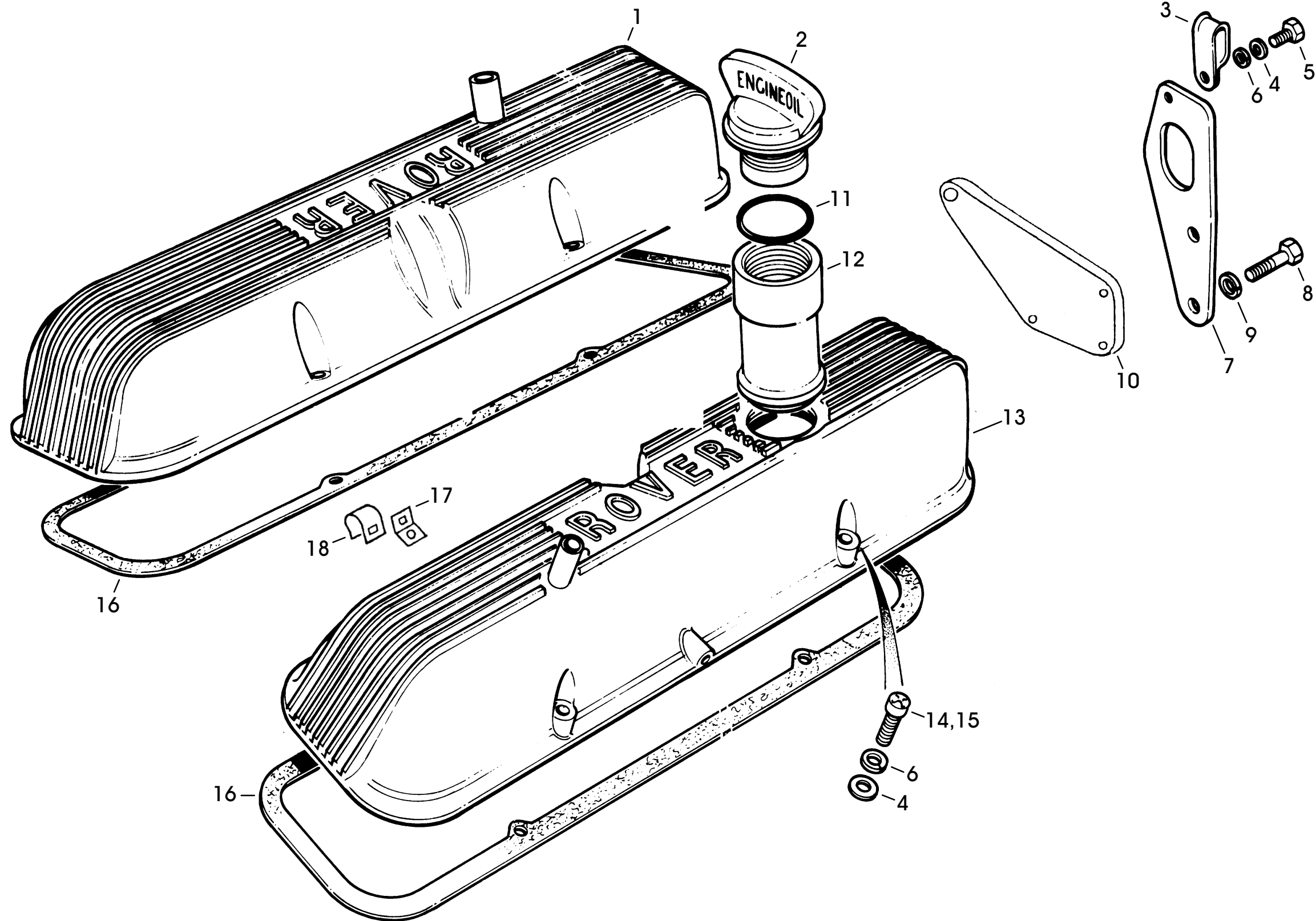


TEXT

0012 ZPM1 R00000071 10008-1J4 VALVE GEAR (V8)

ITEM	NSN	DESCRIPTION	QTY	GOR
0000		10008-1J4	1	
0001	2805-99-824-1600	ROCKER SHAFT ASSEMB	2	F
0002	9999-98-ASC-0002	NOT PROVIDED (BAFFLE, VALVE GEAR)	4	F
0003	5306-99-137-6103	BOLT,EXTERNALLY REL stl, hex hd, 0.375-in UNC, 2.750-in lg	8	F
0004	5340-99-718-1660	PLUG,PROTECTIVE,DUS	4	F
0005	3040-99-829-9579	BRACKET,EYE,NONROTA	8	F
0006	2805-99-829-9575	ROCKER ARM,ENGINE - R/H (R/H)	8	F
0007	2990-99-828-0471	COLLET,SPLIT	32	F
0008	2805-99-829-9574	SEAT,COMPRESSION HE	16	F
0009	5360-99-829-9573	SPRING,HELICAL,COMPLETE 1.196-in free od, 1.191-in free lg (WSE USE 5360-99-111-1684)	16	F
0010	2805-99-753-4334	TAPPET,ENGINE POPPE	16	F
0011	2805-99-824-1595	PUSH ROD,ENGINE POP	16	F
0012	5360-99-829-9577	SPRING,ROCKER SHAFT helical cprsn type	6	F
0013	2805-99-829-9576	ROCKER ARM,ENGINE - L/H (L/H)	8	F
0014	5310-99-824-1605	SPRING WASHER,ROCKE	4	F
0015	5310-99-829-9578	WASHER,ROCKER SHAFT 0.815-in id, 1.310-in od, 0.062-in thk	4	F
0016	5315-99-138-2207	PIN, COTTER, SPLIT stl, phos, 0.093 x 1.125-in lg	4	F

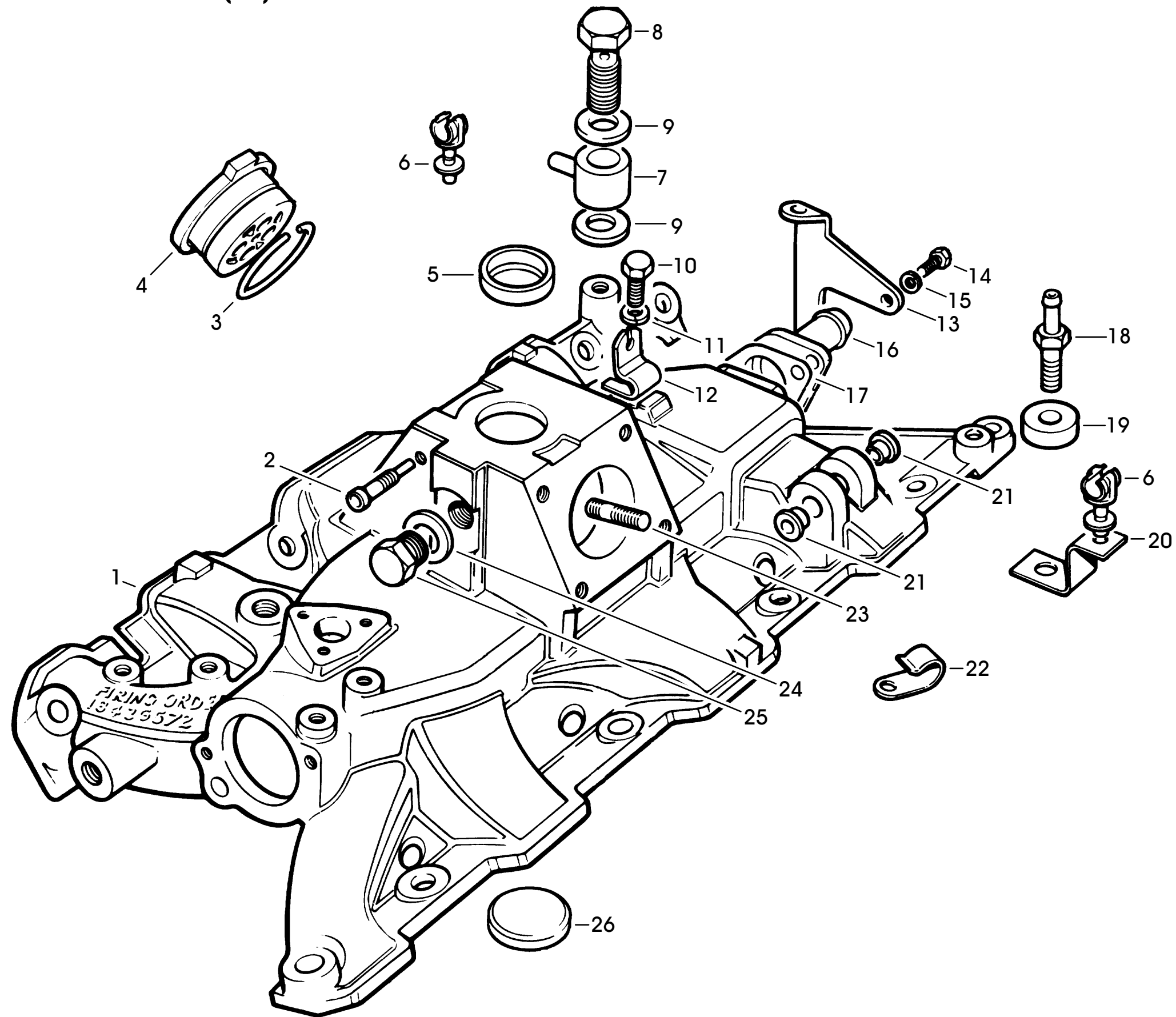
1K4 ROCKER COVERS (V8)



TEXT

0013 ZPM1 R0000086 10008-1L4 ROCKER COVERS (V8)

ITEM	NSN	DESCRIPTION	QTY	GOR
0000		10008-1L4	1	
0001	2805-98-856-0475	COVER,ENGINE POPPET VALVE ROCKER ARM:P/O	1	F
0002	2805-99-828-4590	FILLER CAP,OIL	1	U
0003	5340-99-829-9524	CLAMP, LOOP	1	U
0004	5310-99-122-3033	WASHER,FLAT stl, zn pld, 6mm bolt size, 12.5mm od, 0	9	U
0005	5305-99-941-0511	SCREW,MACHINE:UNF,ST,ZINC PLD,HEX HD,1/4 UNF, 0.250-in, 0.500-in lg S stl, hex hd	1	U
0006	5310-99-941-6654	WASHER,LOCK,0.250-in id,0.425-in od,0.07 stl, sp hlcl ring, 0.250-in blt size, 0.	9	U
0007	9999-98-ASC-0002	NOT PROVIDED (BRACKET, ENGINE LIFTING)	1	F
0008	5306-99-941-1552	BOLT,MACHINE hex hd, steel zinc pld, 0.375-in 16 UNC,	3	F
0009	5310-99-941-6656	WASHER,LOCK:0.398IN.NOM ID,0.59IN.NOM OD stl, sp hlcl ring, 0.375-in norm bolt siz	3	F
0010	9999-98-ASC-0002	NOT PROVIDED (BRACKET, TIE BAR)	1	F
0011	5330-99-820-4346	RING,SEALING,TOROID synth rbr	1	U
0012	2990-99-792-4825	PIPE,OIL FILTER	1	F
0013	2805-98-856-0451	COVER,ENGINE POPPET VALVE ROCKER ARM:P/O	1	F
0014	5305-99-941-9273	SCREW,MACHINE:UNC,0.25-20,2A CL THD,RH,S (0.875-in lg, INSIDE)	4	U
0015	5305-99-137-6177	SCREW,MACHINE (1.312-in lg, OUTSIDE)	4	U
0016	5330-99-822-1868	GASKET,ROCKER COVER	2	U
0017	2990-99-828-1074	BRACKET,BREATHER PI	2	U
0018	5340-99-828-1073	CLIP,CABLE	2	U



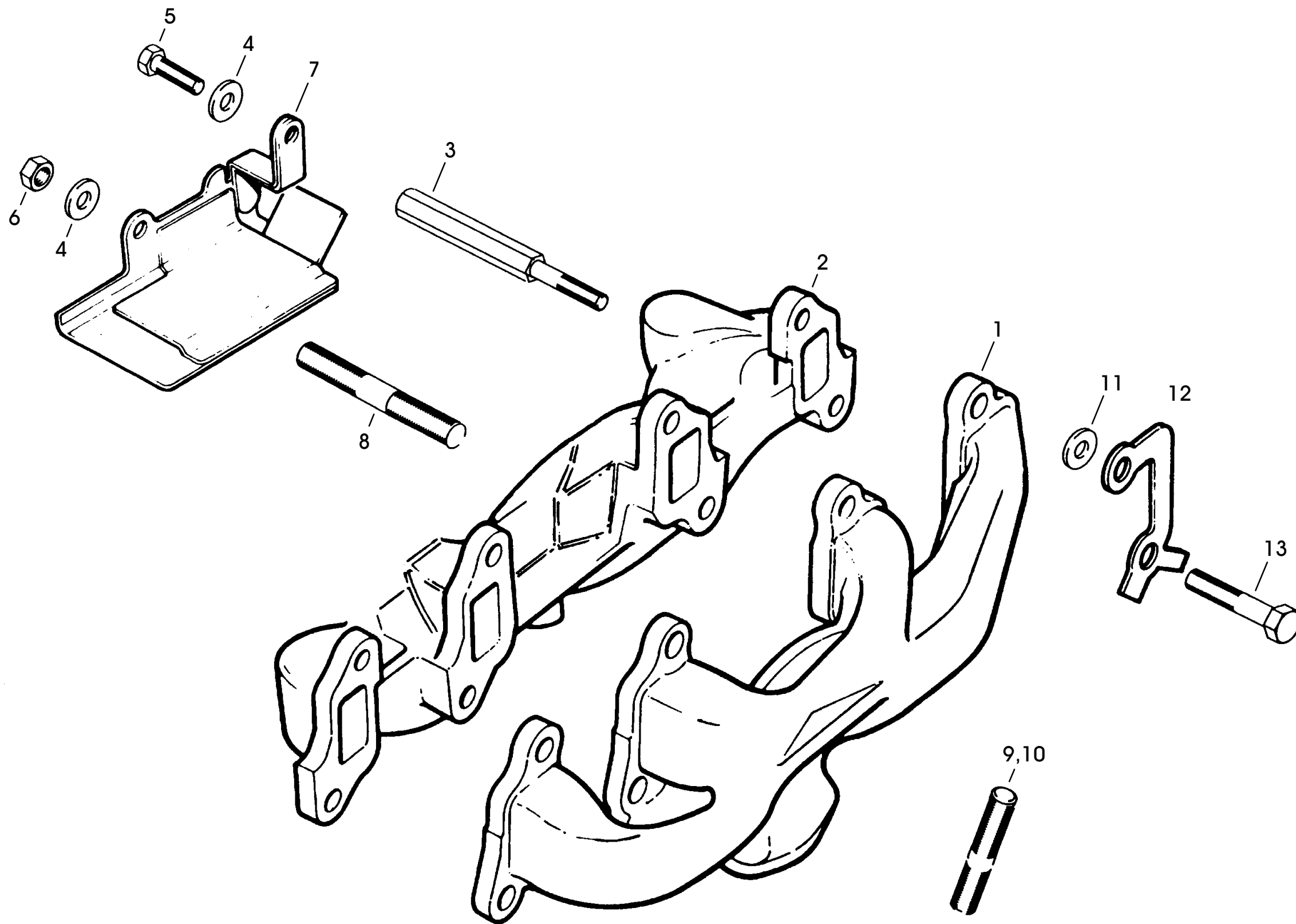
TEXT

0014 ZPM1 R00000101 10008-1N4 INLET MANIFOLD (V8)

ITEM	NSN	DESCRIPTION	QTY	GOR
0000		10008-1N4	1	
0001	2805-98-856-0351	MANIFOLD,INTAKE:P/O V8 109IN.LANDROVER,M	1	F
0002	2805-99-824-1926	ADAPTOR,AIR BLEED	1	F
0003	5365-99-796-5438	RING,RETAINING	2	F
0004	4730-99-796-5428	RESTRICTOR,FLUID FL	2	F
0005	5340-99-758-1745	PLUG,EXPANSION	2	F
0006	2910-99-825-6359	PIPE CLIP,PLASTICS	2	U
0007	4730-99-824-1928	CONNECTOR,SIGNAL PI	1	F
0008	4730-99-824-1929	BOLT,BANJO	1	F
0009	5310-99-836-7704	WASHER, FLAT sealing	2	F
0010	5305-99-941-0686	SCREW,HEX HEAD,UNC 0.25-20,0.625-in lg, UNC, stl, hex hd, zn pld, 0.250-in dia,	1	F
0011	5310-99-122-6474	WASHER,FLAT, M6x12.5x1.6mm, zn pld, stl 6.4mm id, 12.1mm od, 1.5mm thk, stl, zn	1	F
0012	2910-99-796-5424	ANCHOR BRACKET	1	F
0013	9999-98-ASC-0002	NOT PROVIDED (BRACKET)	1	F
0014	5305-99-941-0687	SCREW, HEX HEAD, UNC 0.250 X 0.750-in lg stl, zn pld, 0.250 - 20UNC, 0.750-in thd	2	F
0015	5310-99-941-6654	WASHER,LOCK,0.250-in id,0.425-in od,0.07 stl, sp hlcl ring, 0.250-in blt size, 0.	2	F
0016	2590-99-796-5431	PIPE,WATER OUTLET	1	U
0017	5330-99-822-1745	GASKET	1	U
0018	2990-99-796-5420	PEG,AIR CLEANER MOU	2	F
0019	5310-99-137-1107	WASHER,FLAT	2	F
0020	9999-98-ASC-0002	NOT PROVIDED (BRACKET)	1	F
0021	3120-99-824-1925	BEARING,SLEEVE	2	F
0022	2590-99-895-1937	CLIP,SPEEDOMETER CA	1	F
0023	5307-99-137-3595	STUD,PLAIN	8	F
0024	5330-99-822-1866	GASKET	1	F
0025	5365-99-796-7485	PLUG,SCREWED	1	F
0026	5340-99-824-1350	PLUG,EXPANSION	1	F

1A5

EXHAUST MANIFOLD (V8)

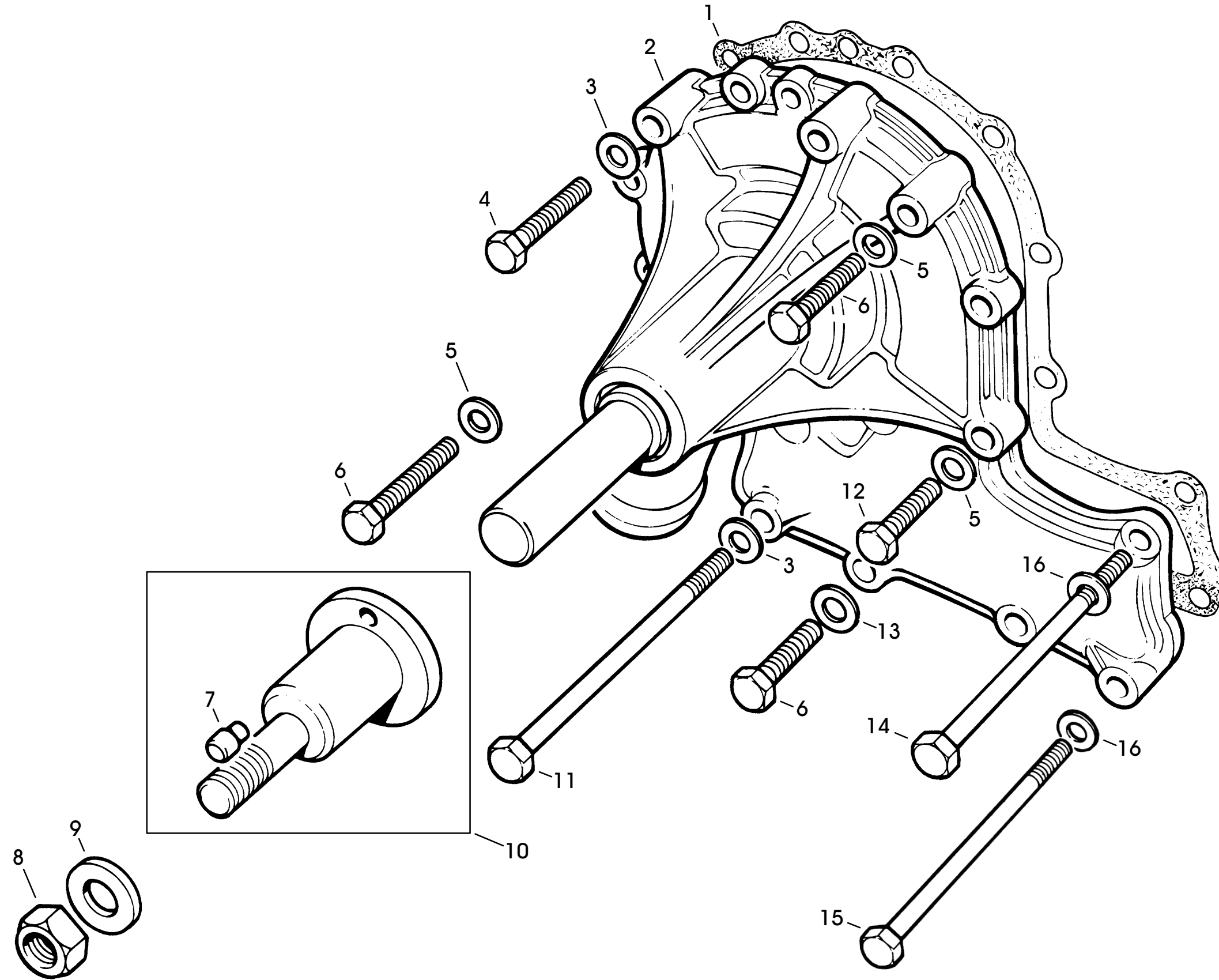


TEXT

___ 0015 ZPM1 R00000012 10008-1B5 EXHAUST MANIFOLD (V8)

ITEM	NSN	DESCRIPTION	QTY	GOR
___ 0000		10008-1B5	1	
___ 0001	2805-99-792-4790	MANIFOLD,EXHAUST,RH. eng (RIGHT)	1	F
___ 0002	2805-99-831-0370	MANIFOLD,EXST:4 BRNCH,L/HND:16.84"O/A LG for Land Rover (LEFT)	1	F
___ 0003	9999-98-ASC-0002	NOT PROVIDED (DISTANCE PIECE)	1	F
___ 0004	5310-99-956-1786	WASHER,FLAT,0.312-in nom blt size,0.625- stl, rd, 0.312-in nom blt size, 0.625-in	2	U
___ 0005	5305-99-941-9069	SCREW,MACHINE hex hd, stl, zn pld, 0.312 - 24UNF, 0.56	1	U
___ 0006	5310-99-941-0925	NUT,PLAIN,HEXAGON, UNF 0.312 UNF, 0.312-in, 0.500-in A/F, stl, zn pld	1	U
___ 0007	2990-99-796-6076	HEAT SHIELD,EXHAUST	1	U
___ 0008	5307-99-796-6095	STUD,PLAIN	1	U
___ 0009	5307-99-809-6639	STUD,PLAIN:UNF,CRES,5/16IN.-24UNF,CLASS (IMPERIAL)	6	U
___ 0010	5307-99-943-1034	STUD (METRIC)	6	U
___ 0011	5310-99-941-8635	WASHER,FLAT,0.395-in id,0.750-in od, 0.390 -0.395-in hole dia, 0.750-in od, 0	16	U
___ 0012	2805-99-758-1751	LOCKING PLATE,NUT A	8	U
___ 0013	5305-99-376-9016	SCREW, CAP, HEXAGON HEAD 0.375 - 16UNC x 2.125 lg	15	U

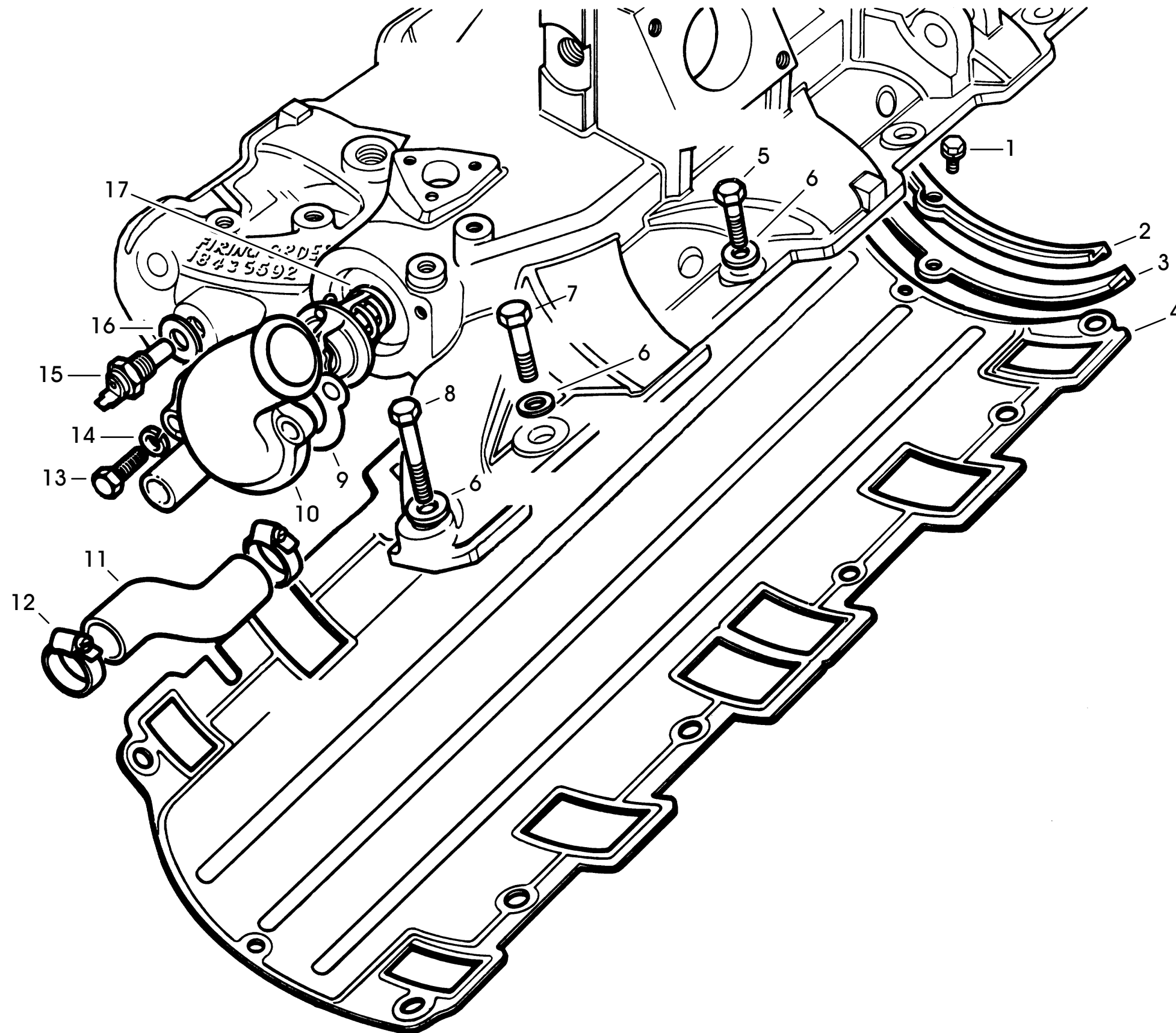
1C5 WATER PUMP (V8)



TEXT

___ 0016 ZPM1 R00000027 10008-1D5 WATER PUMP (V8)

ITEM	NSN	DESCRIPTION	QTY	GOR
___ 0000		10008-1D5	1	
___ 0001	5330-99-822-1870	GASKET,WATER PUMP	1	U
___ 0002	4320-99-253-4010	PUMP, CENTRIFUGAL V8 LR (PUMP)	1	U
___ 0003	5310-99-122-6475	WASHER,FLAT, 0.312-in SIDEPOST 0.312-in id, zn pld (8mm)	4	U
___ 0004	5306-99-941-1538	BOLT,MACHINE,UNC 0.312-18,1.5-in lg, cd pld, 0.312 x 1.500-in	1	U
___ 0005	5310-99-208-6440	WASHER, FLAT	8	U
___ 0006	5306-99-941-1525	BOLT,MACHINE:UNC,0.250-20,2A,STEEL ZINC UNC, 0.250 - 20, 2A, 2-in lg, 0.750-in t	4	U
___ 0007	5315-99-827-7297	PIN,SHOULDER,HEADLE	1	U
___ 0008	5310-99-941-7650	NUT,SELF-LOCKING,HEXAGON:UNF,7/16-20,2B, stl, zn pld, nyl insr, 0.437 - 20UNF, 0.	1	U
___ 0009	2930-99-829-9503	PACKING PIECE	1	U
___ 0010	2930-99-829-9499	HUB,WATER PUMP (C/W ITEM 7)	1	U
___ 0011	5306-99-796-5412	BOLT,MACHINE 0.312-in 18UNC, 5.500-in lg	2	U
___ 0012	5305-99-941-1521	BOLT,MACHINE UNC, S stl, hex hd, zn pld, 0.250 x 1.25	5	U
___ 0013	5310-99-941-6654	WASHER,LOCK,0.250-in id,0.425-in od,0.07 stl, sp hlcl ring, 0.250-in blt size, 0.	1	U
___ 0014	5306-99-139-5554	BOLT,MACHINE 0.312-in 18UNC, 4.750-in lg	1	U
___ 0015	5306-99-941-8960	BOLT,MACHINE hex hd, sstl, zn pld, 0.312 - 18UNC, 5-i	1	U
___ 0016	5310-98-204-1638	WASHER (1), FLAT: 0.312 x 0.125-in thk	2	U

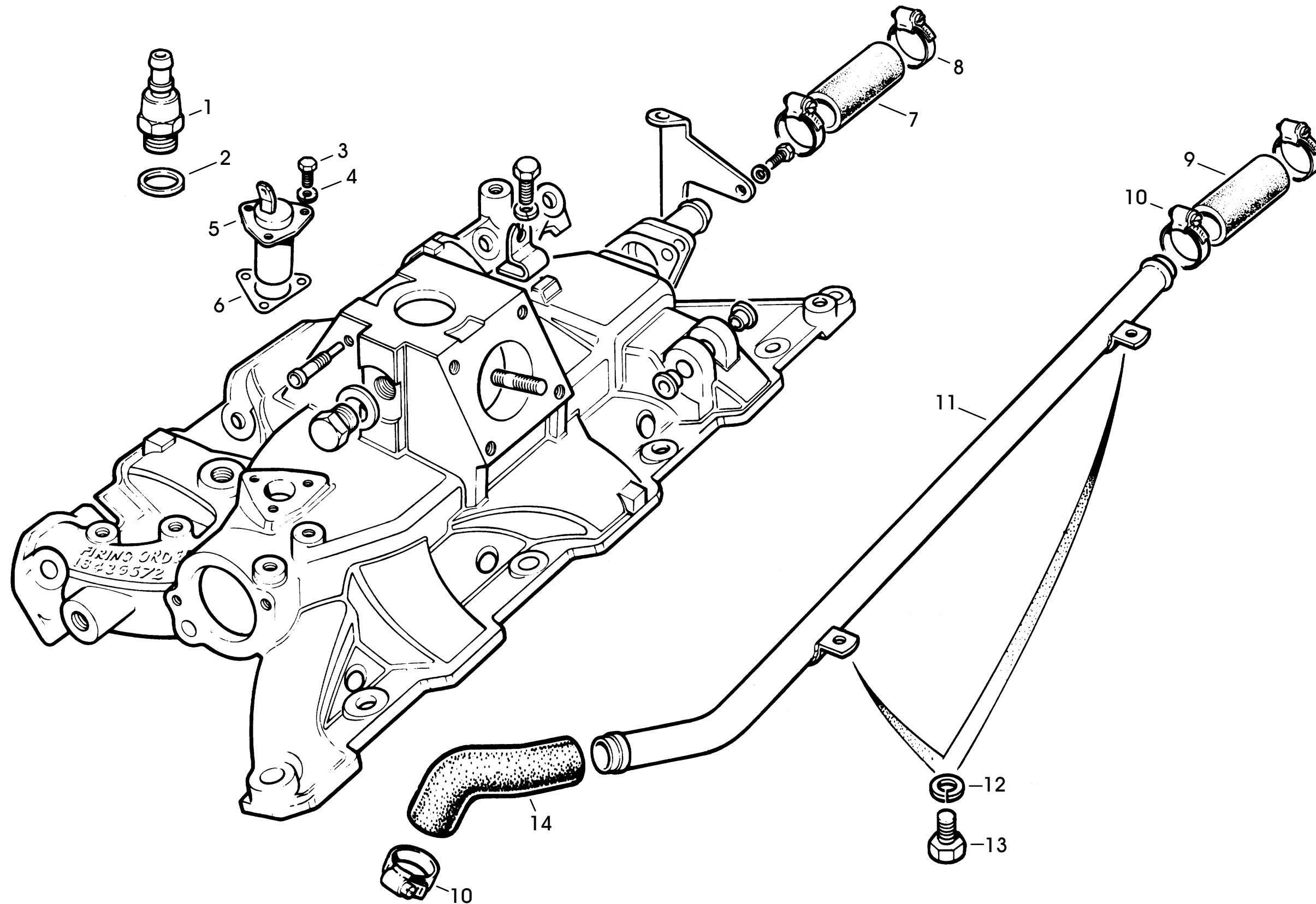


TEXT

___ 0017 ZPM1 R00000041 10008-1F5 THERMOSTAT (V8)

ITEM	NSN	DESCRIPTION	QTY	GOR
___ 0000		10008-1F5	1	
___ 0001	5305-99-137-6127	SCREW,ASSEMBLED WAS	2	F
___ 0002	2805-98-856-0336	RETAINER:P/O V8 109IN.LANDROVER,MFR U103	2	F
___ 0003	5330-99-822-1744	SEAL,MANIFOLD GASKE landrover	2	F
___ 0004	2805-99-753-6917	GASKET landrover only	1	F
___ 0005	5305-99-137-6176	SCREW,MACHINE hex hd, stl, slot dr, 0.375-in UNC, 1.31	4	F
___ 0006	5310-99-137-6125	WASHER,FLAT	12	F
___ 0007	5306-99-941-1552	BOLT,MACHINE hex hd, steel zinc pld, 0.375-in 16 UNC,	6	F
___ 0008	5306-99-941-1554	BOLT,MACHINE:UNC,0.375-16,2A,STEEL ZINC UNC, 0.375 - 16, 2A stl, zn pld, 1-in th	2	F
___ 0009	5330-99-935-7426	GASKET	1	U
___ 0010	2930-99-827-7292	ELBOW,WATER OUTLET	1	U
___ 0011	2930-99-753-4331	HOSE,PREFORMED	1	U
___ 0012	4730-99-420-3203	CLAMP,HOSE	2	U
___ 0013	5305-99-941-0699	SCREW,MACHINE:UNC,0.312-18,2A,STEEL,ZINC 0.312 - 18UNC x 0.875-in lg, stl, zn ctd	2	U
___ 0014	5310-99-941-6655	WASHER,LOCK,0.335-in id,0.503-in od,0.07 0.335-in id, 0.503-in od, 0.078-in thk s	2	U
___ 0015	6685-99-825-2065	TRANSMITTER,TEMPERA	1	U
___ 0016	5330-99-825-2066	GASKET	1	U
___ 0017	6620-99-805-3486	THERMOSTAT,FLOW CON	1	U

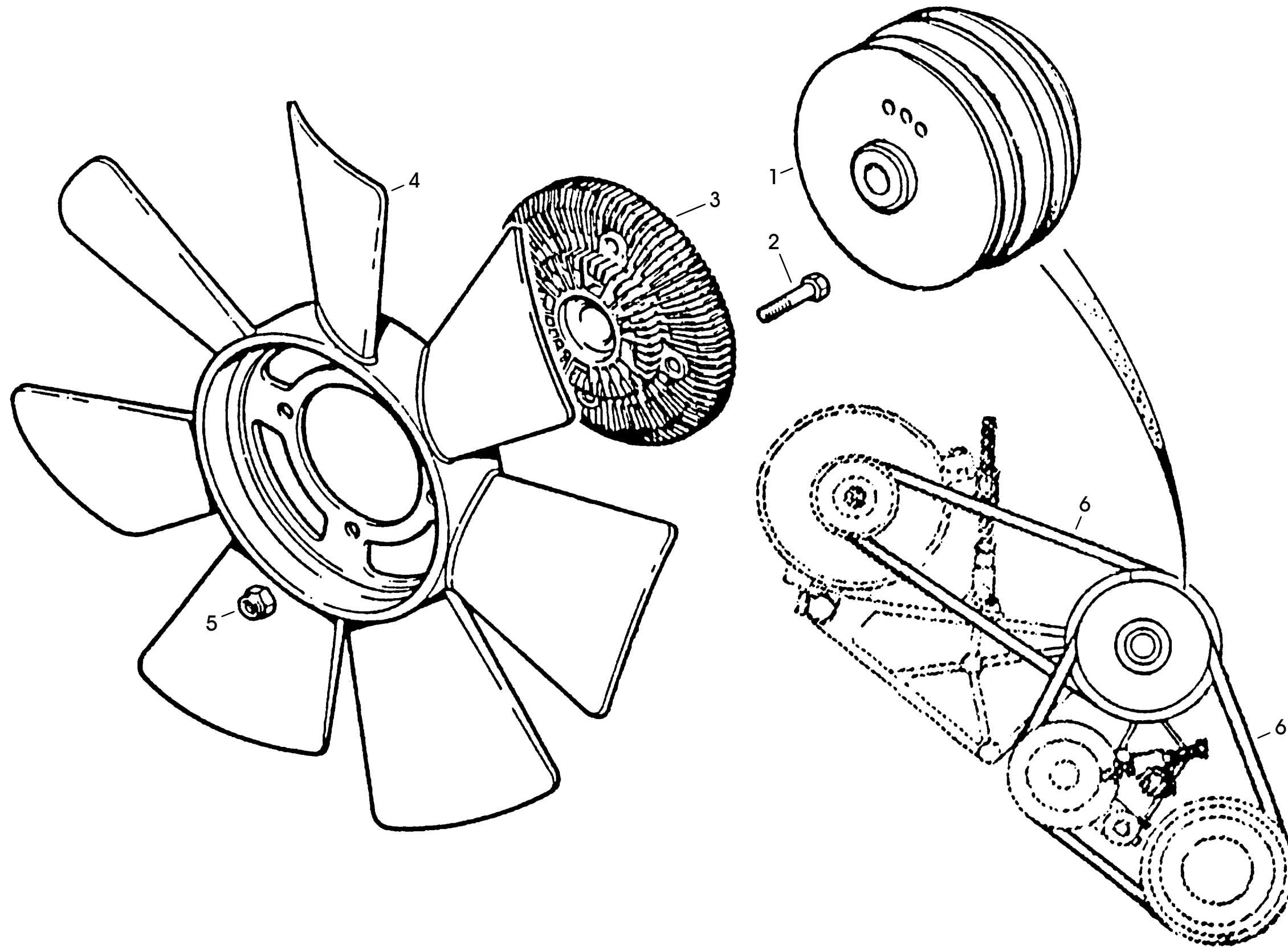
1G5 INLET MANIFOLD COOLANT HOSES (V8)



TEXT

___ 0018 ZPM1 R00000057 10008-1H5 INLET MAN COOLANT HOSES (V8)

ITEM	NSN	DESCRIPTION	QTY	GOR
___ 0000		10008-1H5	1	
___ 0001	2530-99-757-5678	ADAPTOR,BRAKE SERVO	1	U
___ 0002	5330-99-822-1866	GASKET	1	U
___ 0003	5305-99-120-4008	SCREW,MACHINE, ZINC PLTD 0.19INX24UNCX0. hex hd, stl, zn pld, 0.190 - 24UNC, 0.43	3	U
___ 0004	5310-99-941-6653	WASHER,LOCK,0.330-in od,0.188-in nom stl, 0.330-in od, 0.188-in nom blt size,	3	U
___ 0005	2805-99-873-8567	THERMOMETER,CHOKE L	1	U
___ 0006	5330-99-850-0442	GASKET:CORK,13/16IN.DIA APERTURE,1/16IN.	1	U
___ 0007	4730-99-796-5426	HOSE,RUBBER (PREFORMED)	1	U
___ 0008	4730-99-420-3203	CLAMP,HOSE	2	U
___ 0009	4730-99-796-5427	HOSE,RUBBER rd, inlet manf cool hose, V8 Landrover (STRAIGHT)	1	U
___ 0010	4730-99-955-4583	CLAMP,HOSE:ST,CD PLD,0.875-1.125IN.ID,MF	2	U
___ 0011	4730-99-796-5419	PIPE ASSEMBLY, HEAT	1	F
___ 0012	5310-99-941-6654	WASHER,LOCK,0.250-in id,0.425-in od,0.07 stl, sp hlcl ring, 0.250-in blt size, 0.	2	F
___ 0013	5305-99-941-0685	SCREW,MACHINE:UNC,0.25-20,2A,STEEL,ZINC 0.250-in UNC x 0.500-in	2	F
___ 0014	4720-99-796-5421	HOSE,RUBBER	1	U

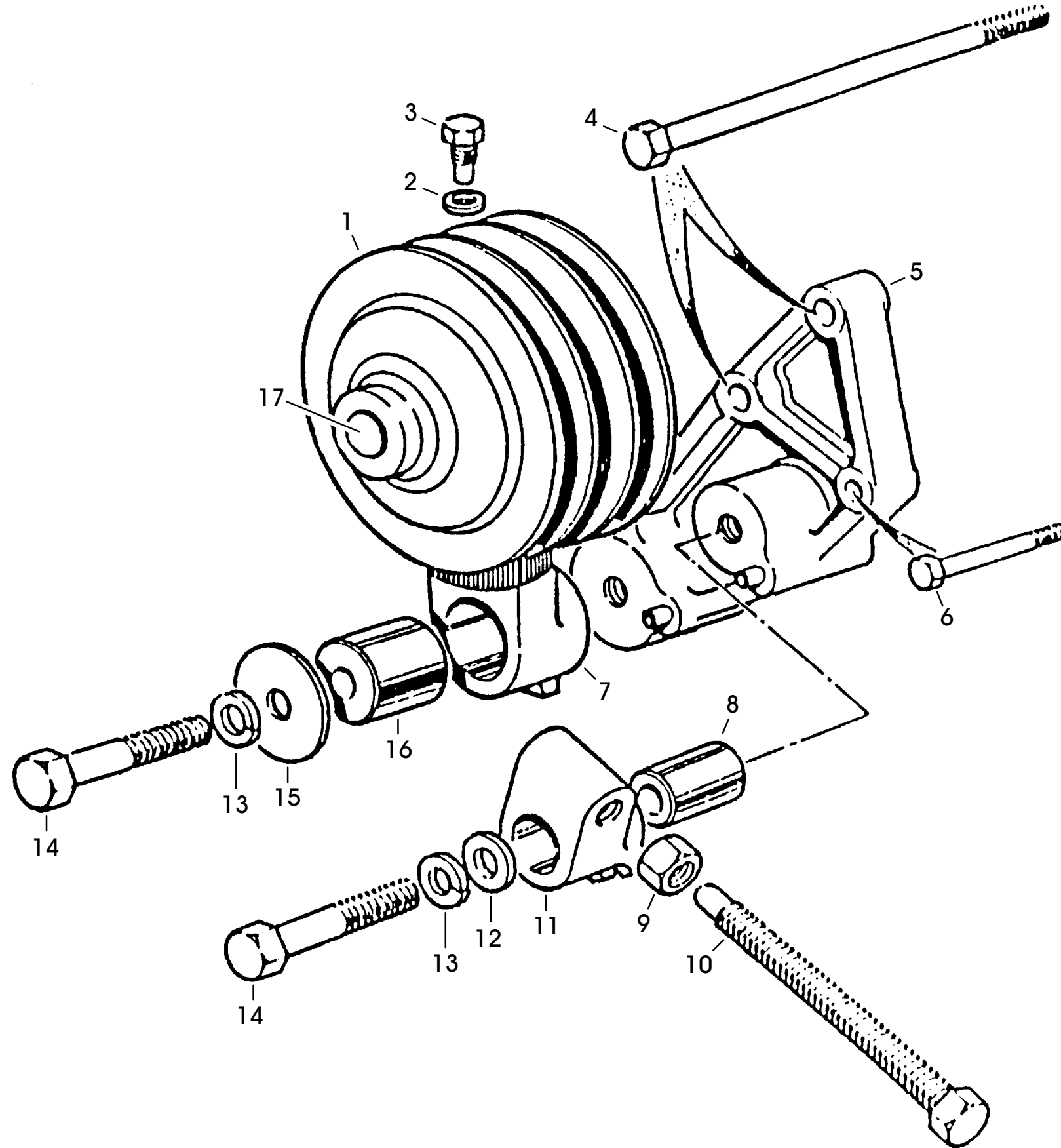


TEXT

___ 0019 ZPM1 R00000072 10008-1J5 FAN PULLEY & BELTS (V8)

ITEM	NSN	DESCRIPTION	QTY	GOR
___ 0000		10008-1J5	1	
___ 0001	3020-99-796-6088	PULLEY,GROOVED	1	U
___ 0002	5306-99-941-0281	BOLT,MACHINE:UNF,0.250-28,2A,ST,ZINC PLD UNF, 0.250 - 28, 2A stl, zn pld, w/chrom	4	U
___ 0003	2930-99-829-9501	DAMPER,INERTIA	1	U
___ 0004	2930-99-829-9502	FAN,ENGINE COOLING	1	U
___ 0005	5310-99-941-3524	NUT,SELF-LOCKING,HEXAGON:UNF,1/4-28,2B,S stl, zn pld, nyl insr, 0.250 - 28UNF, 0.	4	U
___ 0006	3030-98-107-4393	BELT,V:PLAIN, USE 99-753-0730	4	U

TK5 FAN IDLER PULLER (V8)



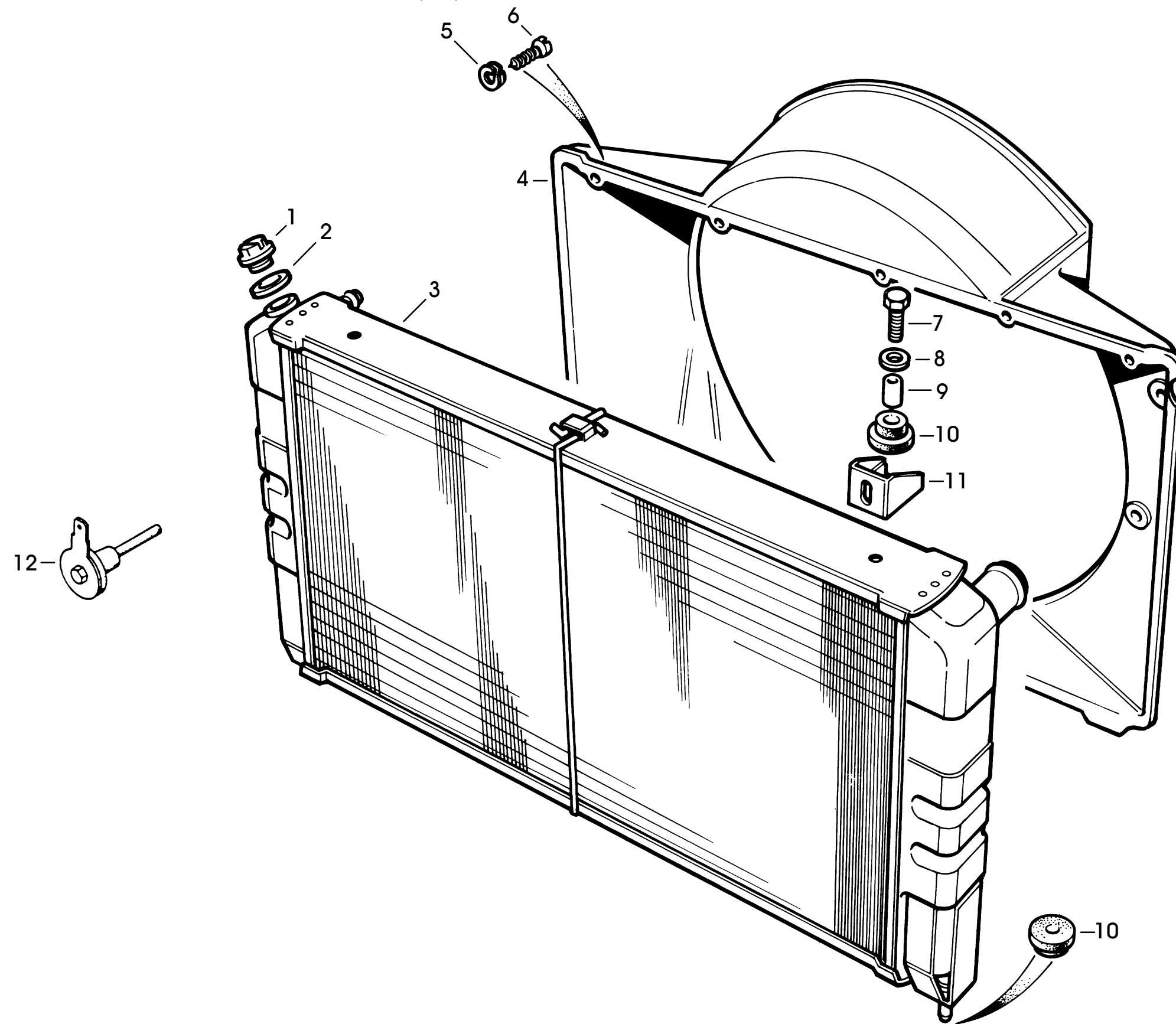
TEXT

___ 0020 ZPM1 R00000087 10008-1L5 FAN IDLER PULLEY (V8)

ITEM	NSN	DESCRIPTION	QTY	GOR
___ 0000		10008-1L5	1	
___ 0001	3020-99-796-6079	PULLEY ASSEMBLY	1	U
___ 0002	5310-99-137-9232	WASHER,LOCK M6, 9.6mm o/d, 1.5mm thk, stl, zn pld	1	F
___ 0003	5305-99-796-6075	SCREW,SET p/o fan pul assy, V8 Landrover	1	F
___ 0004	5306-99-796-5412	BOLT,MACHINE 0.312-in 18UNC, 5.500-in lg	2	U
___ 0005	2990-99-796-6069	MOUNTING BRACKET ASSEMBLY, U/O V8 LANDOV	1	F
___ 0006	5306-99-941-1525	BOLT,MACHINE:UNC,0.250-20,2A,STEEL ZINC UNC, 0.250 - 20, 2A, 2-in lg, 0.750-in t	1	U
___ 0007	9999-98-ASC-0002	NOT PROVIDED (ARM, PULLEY)	1	F
___ 0008	3120-99-796-6065	BUSHING,SLEEVE	1	F
___ 0009	5310-99-135-2151	NUT, PLAIN, HEXAGON	1	F
___ 0010	5305-99-796-6064	SCREW,SET	1	F
___ 0011	2990-99-796-6063	PIVOT ADJUSTER	1	F
___ 0012	5310-99-713-1155	WASHER,FLAT:STEEL,BS 1449,PART 3B,CS4 ZI	1	U
___ 0013	5310-99-941-6656	WASHER,LOCK:0.398IN.NOM ID,0.59IN.NOM OD stl, sp hlcl ring, 0.375-in nom bolt siz	2	U
___ 0014	5306-99-941-0315	BOLT,MACHINE:UNF,STEEL,HEX HD,ZINC PLATE UNF, htntl stl, 0.375 x 1.750-in	2	U
___ 0015	5310-99-796-6062	WASHER,FLAT 0.375-in id	1	U
___ 0016	3120-99-796-6061	BUSHING,SLEEVE	1	F
___ 0017	3110-99-796-6080	BEARING UNIT,SPINDL*W.S.E USE 997966079	1	F
___ 0018	2930-99-740-9266	PULLEY ASSEMBLY	1	U

1M5

RADIATOR AND FAN COWL (V8)



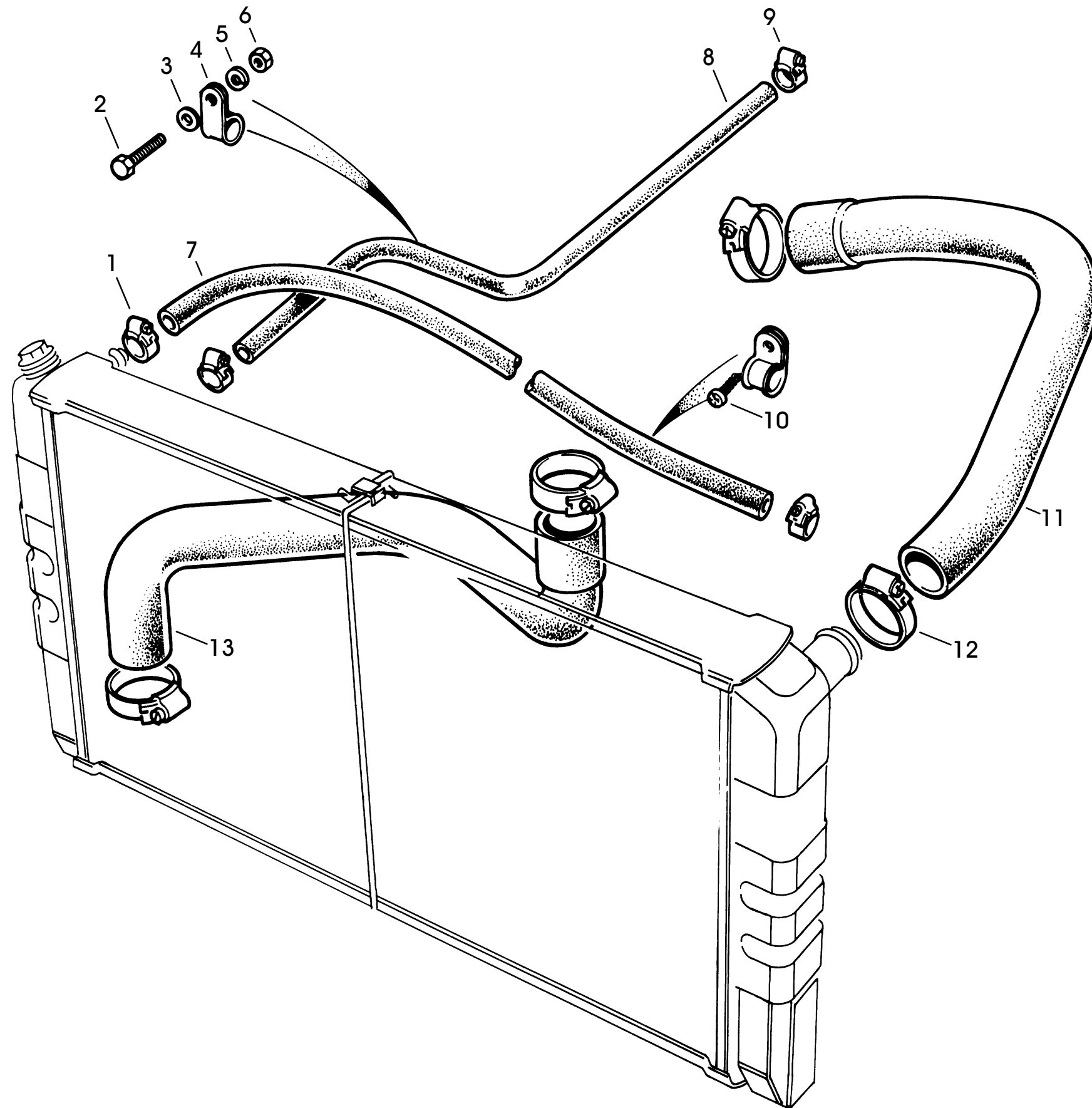
TEXT

___ 0021 ZPM1 R00000102 10008-1N5 RADIATOR & FAN COWL (V8)

ITEM	NSN	DESCRIPTION	QTY	GOR
___ 0000		10008-1N5	1	
___ 0001	2930-99-075-4119	FILLER, PLUG u/o LR	1	U
___ 0002	5310-98-856-3701	WASHER,FLAT:RD,RD,RECT,U/O RADIATOR CAP,	1	U
___ 0003	2930-99-796-7491	RADIATOR V8 *E* (COMPLETE)	1	U
___ 0004	2930-99-796-6174	FANCOWL, PLASTIC V8	1	U
___ 0005	5310-99-941-6627	WASHER,LOCK	5	U
___ 0006	5305-99-136-9510	SCREW,SHOULDER,SELF stl	5	U
___ 0007	5305-99-122-5366	SCREW,MACHINE, M8x20 EXT SIDEWALL M8 - 1.25p, 20mm lg, stl, zn pld, 8.8	2	U
___ 0008	2590-99-796-9566	WASHER,PLAIN	4	U
___ 0009	9999-98-ASC-0002	NOT PROVIDED (SPACER)	2	F
___ 0010	5325-99-796-7508	GROMMET,RUBBER	4	U
___ 0011	9999-98-ASC-0002	NOT PROVIDED (BRACKET)	2	F
___ 0012	6680-98-204-1631	SWITCH,LIQUID LEVEL 8mm (LOW WATER SENSOR)	1	U

1A6

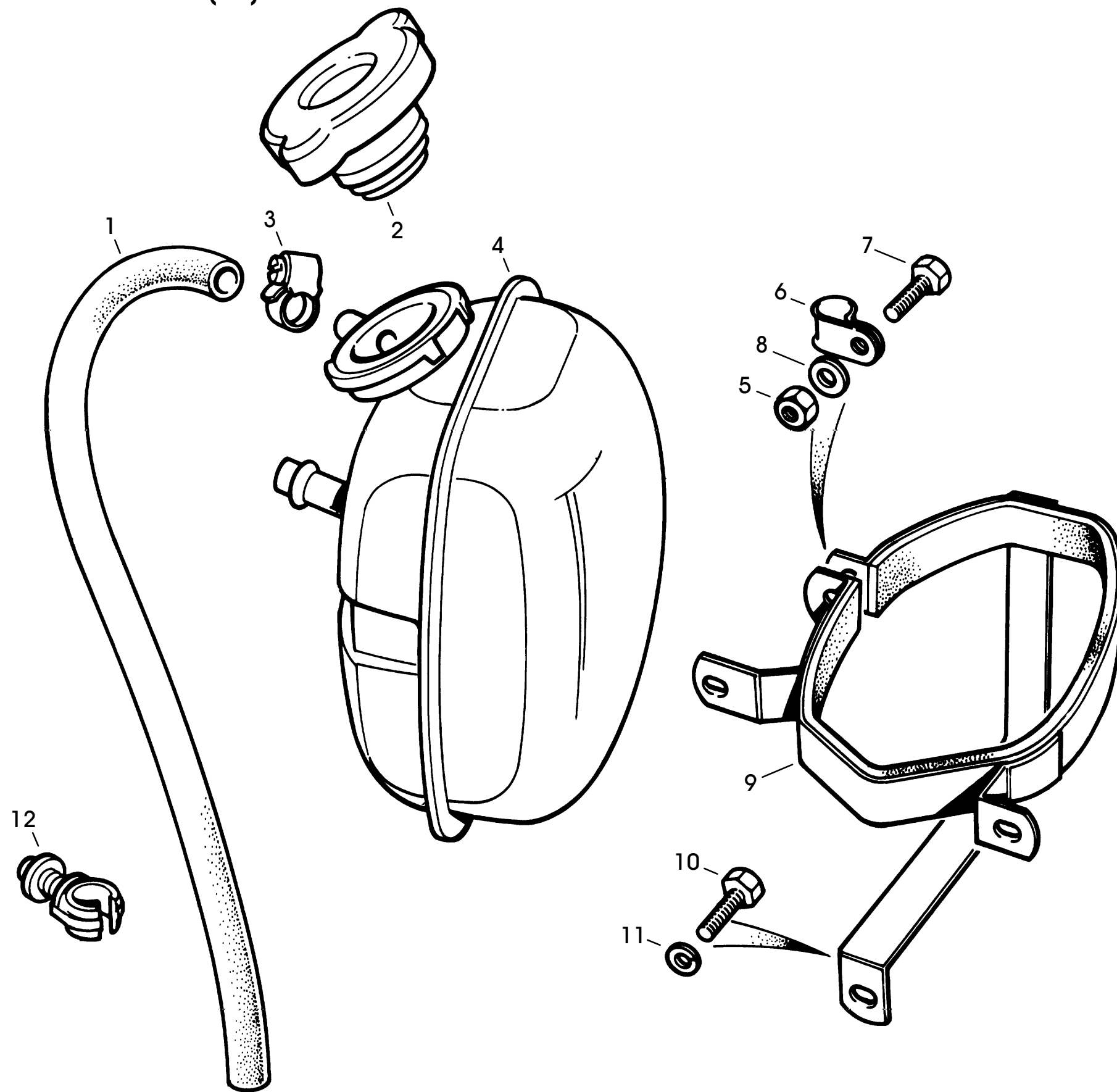
RADIATOR HOSES (V8)



TEXT

___ 0022 ZPM1 R00000013 10008-1B6 RADIATOR HOSES (V8)

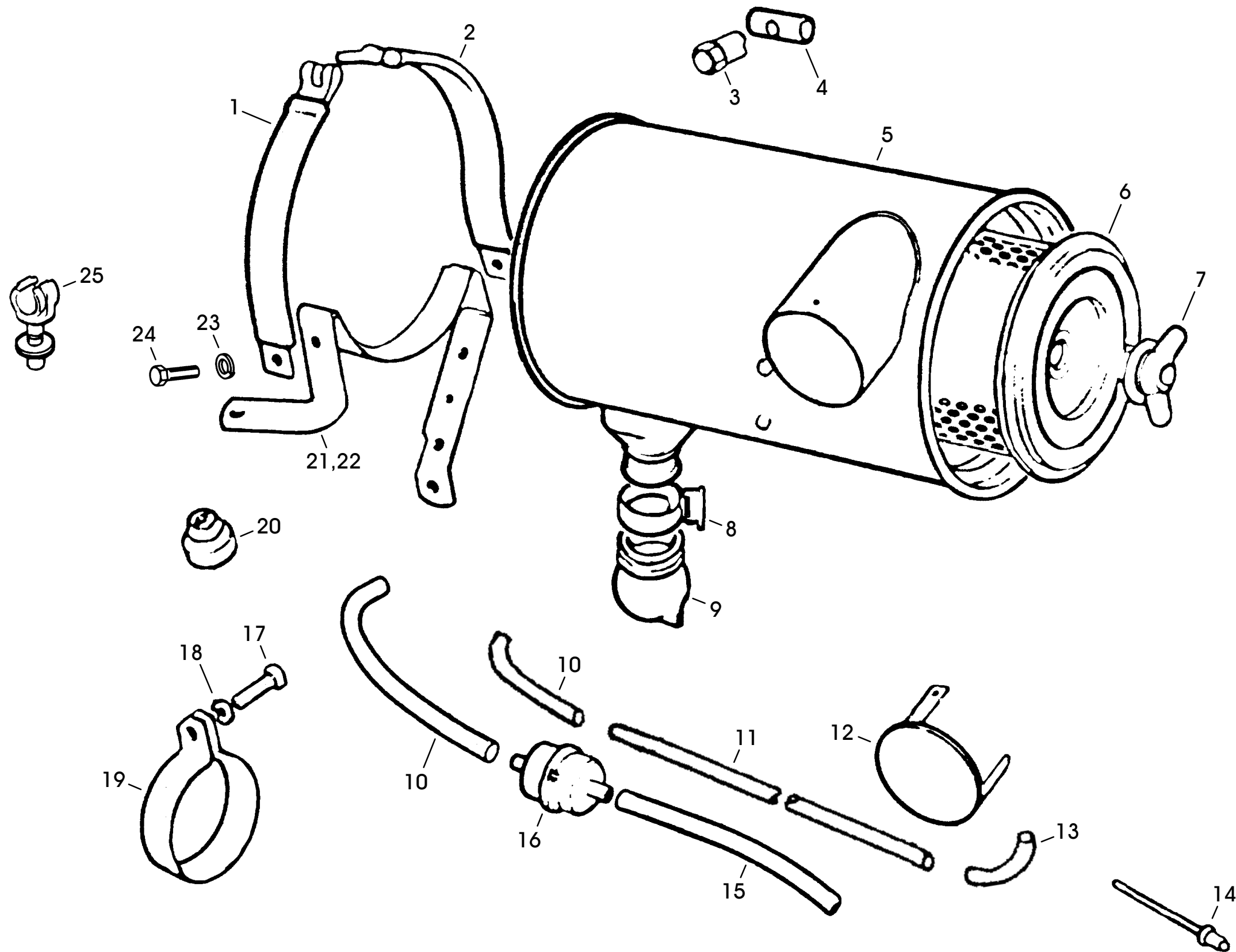
ITEM	NSN	DESCRIPTION	QTY	GOR
___ 0000		10008-1B6	1	
___ 0001	4730-99-533-2957	CLAMP-STL,ZN FIN,I/DIA 11/16MM,13MM WD stl, zn pld, 0.500 - 0.625-in id band ty	2	U
___ 0002	5305-99-122-5356	SCREW, CAP, HEXAGON HEAD	1	U
___ 0003	5310-99-122-3032	WASHER,FLAT:M5 5mm bolt size, 10mm od, 1mm thk, stl, zn	1	U
___ 0004	5340-99-796-7545	CLAMP,LOOP	3	U
___ 0005	5310-99-977-1102	WASHER,LOCK stl, zn plt, M5, 9mm od, 1.2mm thk	1	U
___ 0006	5310-99-122-5294	NUT,PLAIN,HEXAGON M5 - 0.8p, stl, zn pld	1	U
___ 0007	4720-98-856-0426	HOSE,NONMETALLIC:P/O V8 109IN.LANDROVER,	1	U
___ 0008	4720-99-822-2907	HOSE,RUBBER synth/cot braid, 0.250-in id, 0.500-in o	1	U
___ 0009	5340-98-856-3415	CLAMP, HOSE stl, band	2	U
___ 0010	5305-99-829-4335	SCREW,TAPPING,THREAD FORMING:SCREW,TAPPI	2	U
___ 0011	4720-99-825-6076	HOSE,PREFORMED	1	U
___ 0012	2805-99-796-6121	HOSE,CLIP band type	4	U
___ 0013	4720-98-856-0468	HOSE,NONMETALLIC:P/O V8 109IN.LANDROVER,	1	U



TEXT

0023 ZPM1 R00000028 10008-1D6 EXPANSION TANK (V8)

ITEM	NSN	DESCRIPTION	QTY	GOR
0000		10008-1D6	1	
0001	4720-99-796-7509	HOSE,POLYVINYL CHLO	1	U
0002	5340-99-547-9831	CAP,FILLER OPENING (FORMALLY 2930-99-792-5808)	1	O
0003	4730-99-420-3206	CLAMP,HOSE stl, 16 - 22mm id	1	U
0004	2930-98-856-0453	EXPANSION TANK:P/O V8 109IN.LANDROVER,MF	1	U
0005	5310-99-122-5295	NUT,PLAIN,HEXAGON:ISO M,6X1,STEEL,ZINC P M6 - 1p, stl, zn pld, gr 8	1	U
0006	5340-99-796-7546	CLAMP,LOOP	1	U
0007	5305-99-122-5361	SCREW, HEXAGON HEAD, M6x20 M6 - 1p, 20mm lg, stl zn pld	1	U
0008	5310-99-122-6474	WASHER,FLAT, M6x12.5x1.6mm, zn pld, stl 6.4mm id, 12.1mm od, 1.5mm thk, stl, zn	1	U
0009	2540-99-601-7472	BRACKET, MOUNTING	1	U
0010	5305-99-122-5367	SCREW,MACHINE M8-1.25p, 25mm lg, stl, zn pld, 8.8	3	U
0011	5310-99-138-9227	WASHER, LOCK, M8 x 13 x 2mm thk 8mm id, 12.750mm od, 2mm thk, sp hlcl ri	3	U
0012	2930-99-796-5370	CLIP,OVERFLOW HOSE	1	U

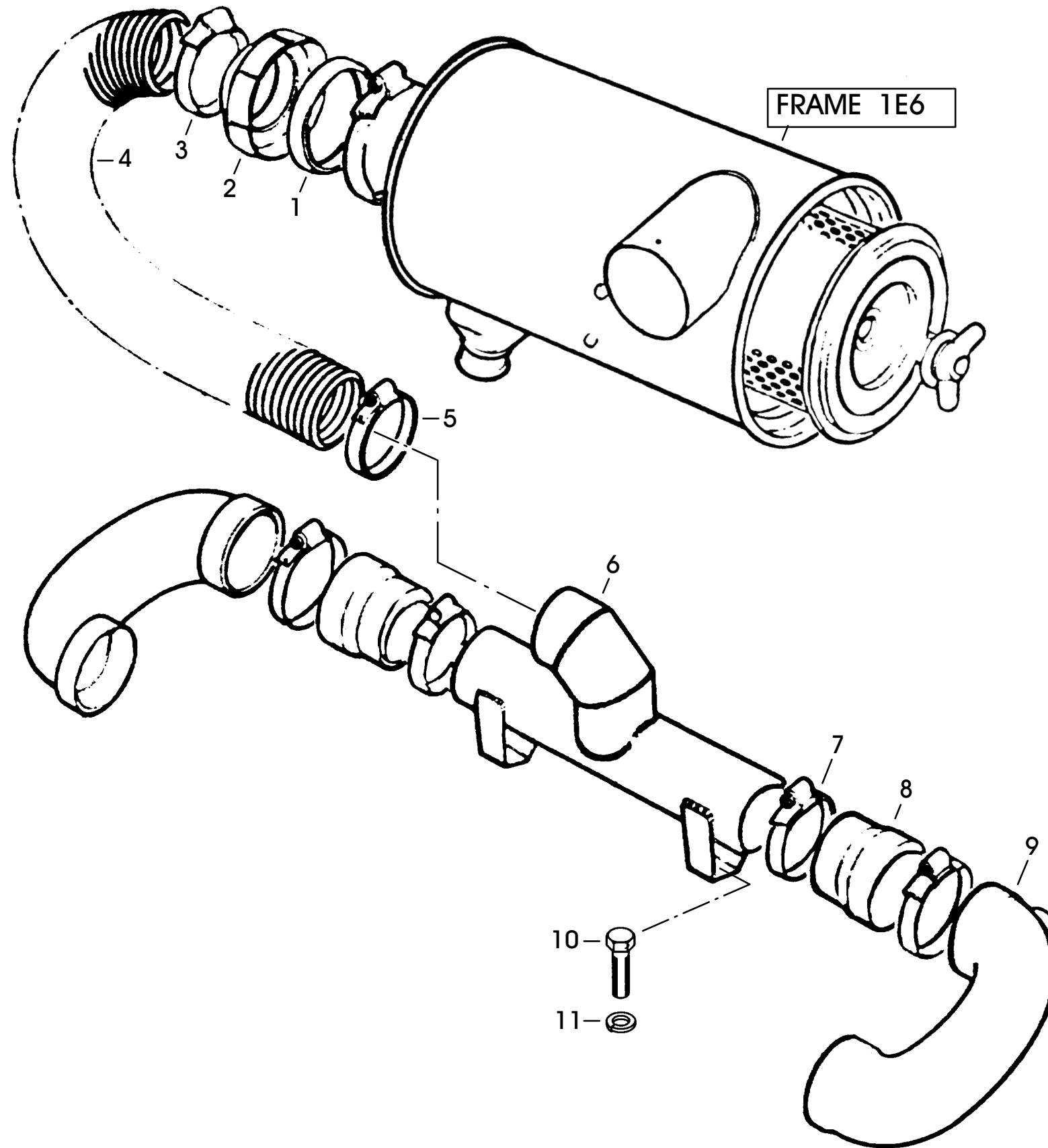


TEXT

0024 ZPM1 R00000042 10008-1F6 AIR CLEANER (V8)

ITEM	NSN	DESCRIPTION	QTY	GOR
0000		10008-1F6	1	
0001	5340-99-196-6529	CLAMP (1), LOOP:	2	U
0002	5340-99-851-1790	CLAMP (1), LOOP:	2	U
0003	5310-99-796-7483	NUT,SLEEVE	2	U
0004	5315-99-796-5384	PIN,STRAIGHT,HEADLESS	2	U
0005	2940-99-721-4363	FILTER,AIR,IN.V8 (C/W ITEMS 6,7,8 AND 9)	1	U
0006	2940-99-721-4364	FILTER ELEMENT,AIR, air filter	1	O
0007	2815-99-836-6653	WING-NUT ASSEMBLY	1	O
0008	4730-99-825-6043	CLAMP, HOSE	1	U
0009	2940-99-829-1470	VALVE,DUST UNLOADER	1	U
0010	4720-99-796-5446	HOSE,RUBBER	2	U
0011	9999-98-ASC-0002	NOT PROVIDED (PIPE)	1	F
0012	2540-99-463-5613	BAFFLE ASSEMBLY,AIR	1	U
0013	2590-99-824-7735	CONNECTOR,BREATHER	1	U
0014	5320-99-941-7263	RIVET,BLIND:NICKEL COPPER ALLOY,MECHANIC	3	U
0015	4720-99-796-5445	HOSE,RUBBER	1	U
0016	2910-99-822-2910	SERVICE PACK,PETROL(FUEL LINE FILTER)	1	U
0017	5305-99-941-8356	SCREW,MACHINE pan hd, slot dr, stl, cd pld, 0.190 - 32	1	U
0018	5310-99-941-6653	WASHER,LOCK,0.330-in od,0.188-in nom stl, 0.330-in od, 0.188-in nom blt size,	1	U
0019	5340-99-839-3628	CLAMP,LOOP	1	U
0020	5325-99-137-6117	GROMMET,RUBBER	2	U
0021	2540-99-440-3840	BRACKET, INTAKE AIR CLEANER (R/H)	1	U
0022	2540-99-179-9369	BRACKET, INTAKE AIR CLEANER (L/H)	1	U
0023	5310-99-941-6655	WASHER,LOCK,0.335-in id,0.503-in od,0.07 0.335-in id, 0.503-in od, 0.078-in thk s	4	U
0024	5305-99-941-0524	SCREW,MACHINE:UNF,0.312-24,2A,STEEL,ZINC UNF, S stl, hex hd, zn pld, 0.312 x 0.62	4	U
0025	5340-99-828-1073	CLIP,CABLE	2	U

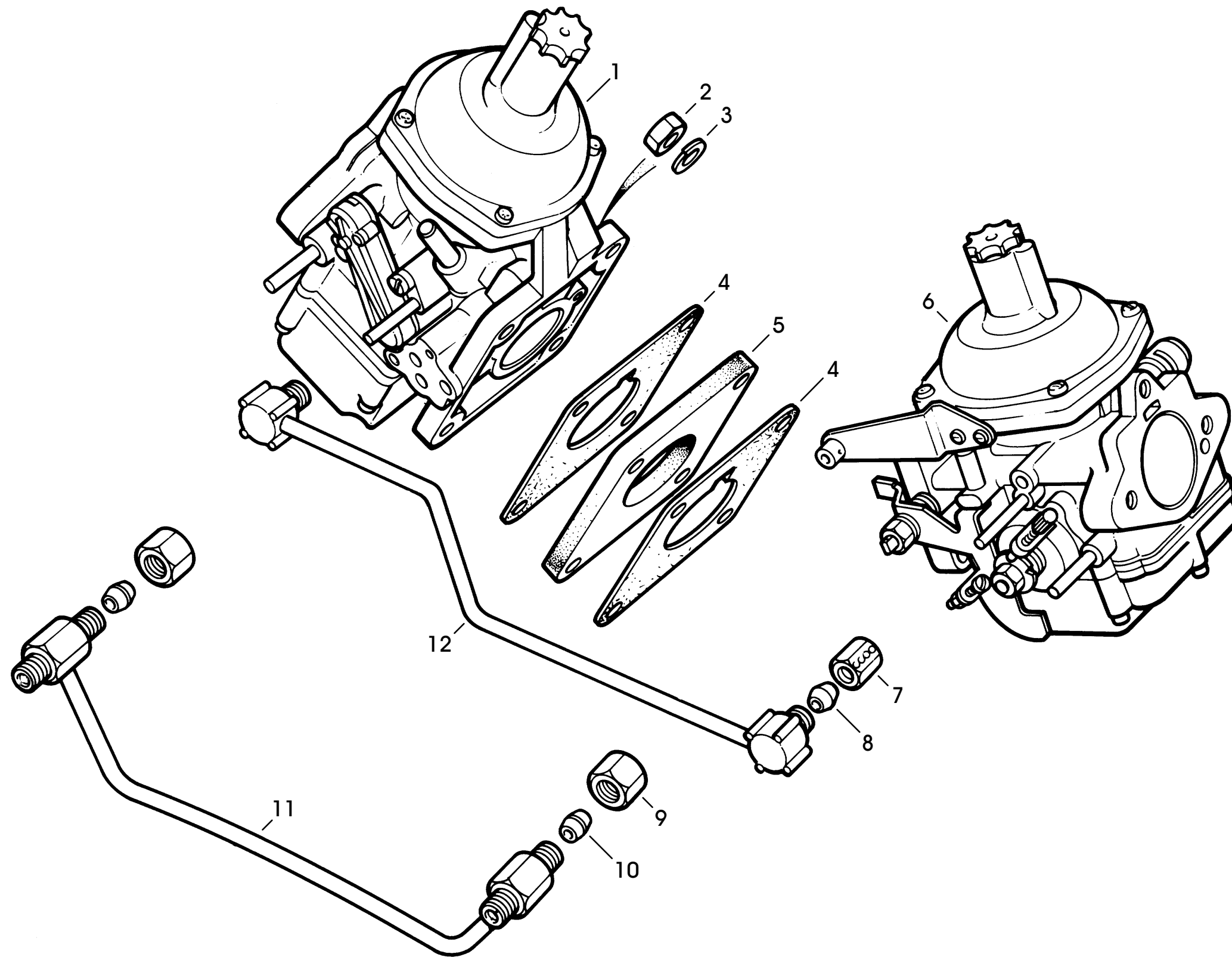
1G6 AIR CLEANER DUCTING (V8)



TEXT

___ 0025 ZPM1 R00000058 10008-1H6 AIR CLEANER DUCTING (V8)

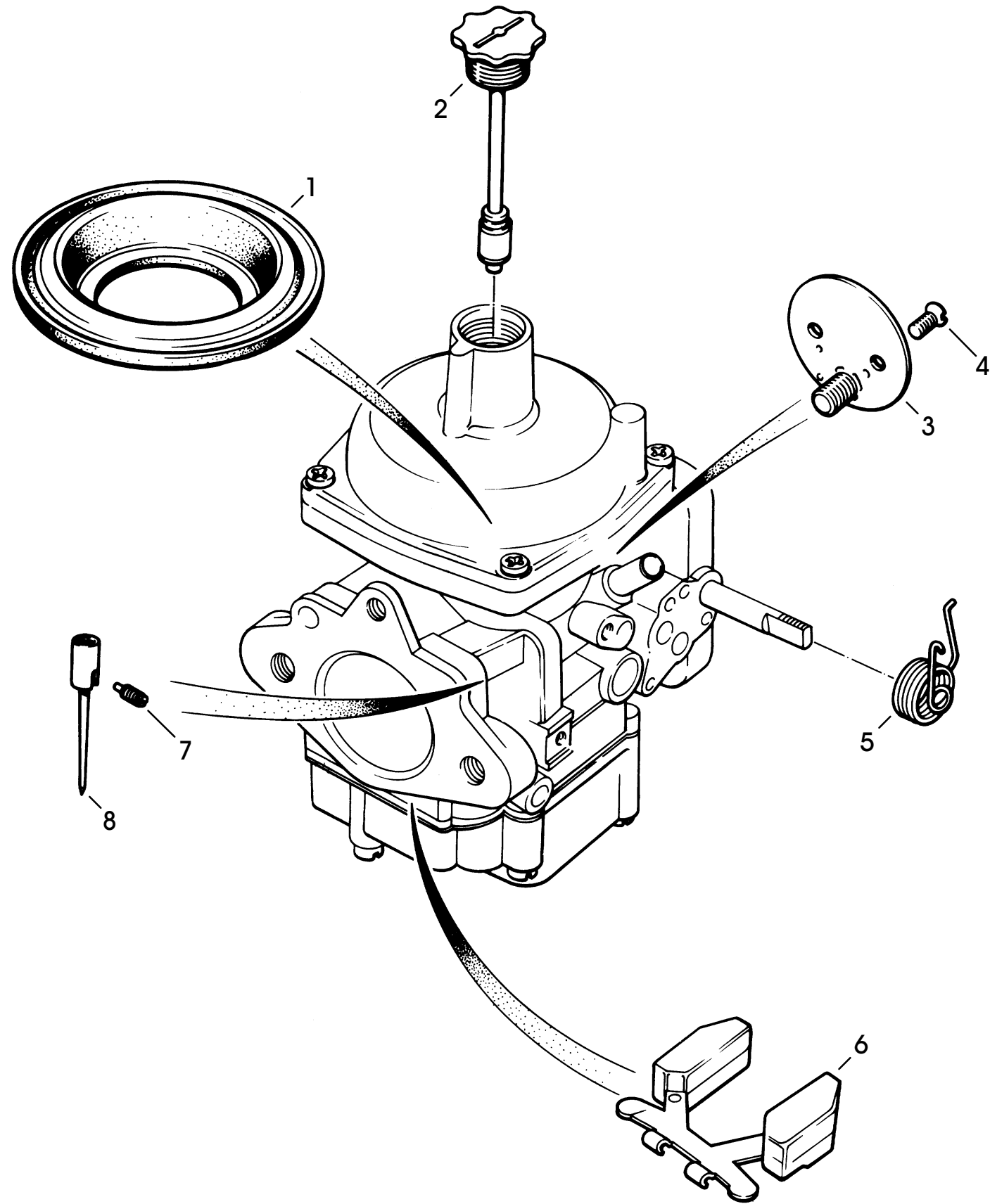
ITEM	NSN	DESCRIPTION	QTY	GOR
___ 0000		10008-1H6	1	
___ 0001	4730-99-828-1019	CLAMP,HOSE	1	U
___ 0002	5330-99-796-5441	GASKET air cleaner ducting	1	U
___ 0003	2940-99-796-6072	ADAPTOR, AIR CLEANER V8 Landrover	1	U
___ 0004	4720-99-796-6073	HOSE,NONMETALLIC connecting air cleaner to air inlet duct	1	U
___ 0005	4730-99-796-5415	CLAMP,HOSE	2	U
___ 0006	2940-99-796-6074	AIR INLET DUCT, ASS V8 Landrover	1	U
___ 0007	4730-99-406-2141	CLAMP,HOSE (WSE USE 4730 99 788 7622)	4	U
___ 0008	4720-99-796-6070	HOSE,RUBBER	2	U
___ 0009	4730-99-796-6071	PIPE,INTAKE	2	U
___ 0010	5305-99-941-0524	SCREW,MACHINE:UNF,0.312-24,2A,STEEL,ZINC UNF, S stl, hex hd, zn pld, 0.312 x 0.62	2	U
___ 0011	5310-99-941-6655	WASHER,LOCK,0.335-in id,0.503-in od,0.07 0.335-in id, 0.503-in od, 0.078-in thk s	2	U



TEXT

0026 ZPM1 R00000073 10008-1J6 CARBURETTORS & FUEL PIPES (V8)

ITEM	NSN	DESCRIPTION	QTY	GOR
0000		10008-1J6	1	
0001	2910-98-856-0355	CARBURETTOR,FLOAT:P/O V8 109IN.LANDROVER assy, rh	1	U
0002	5310-99-941-0925	NUT,PLAIN,HEXAGON, UNF 0.312 UNF, 0.312-in, 0.500-in A/F, stl, zn pld	8	U
0003	5310-99-941-6655	WASHER,LOCK,0.335-in id,0.503-in od,0.07 0.335-in id, 0.503-in od, 0.078-in thk s	8	U
0004	5330-99-796-6067	GASKET carb jt wshr	4	U
0005	5330-99-796-6066	GASKET,U/O CARBURETTORS,V8 LANDROVER.	2	U
0006	2910-98-856-0354	CARBURETTOR,FLOAT:P/O V8 109IN.LANDROVER assy, lh	1	U
0007	4730-99-824-1961	NUT,PIPE COUPLING	2	U
0008	4730-99-824-1960	SLEEVE,COMPRESSION,	2	U
0009	4730-99-824-7301	NUT,UNION,PIPE	2	U
0010	4730-99-825-6374	SLEEVE,COMPRESSION,	2	U
0011	2910-99-825-6353	PIPE,FUEL FEED	1	U
0012	2910-99-824-1959	PIPE ASSEMBLY,CHOKE	1	U



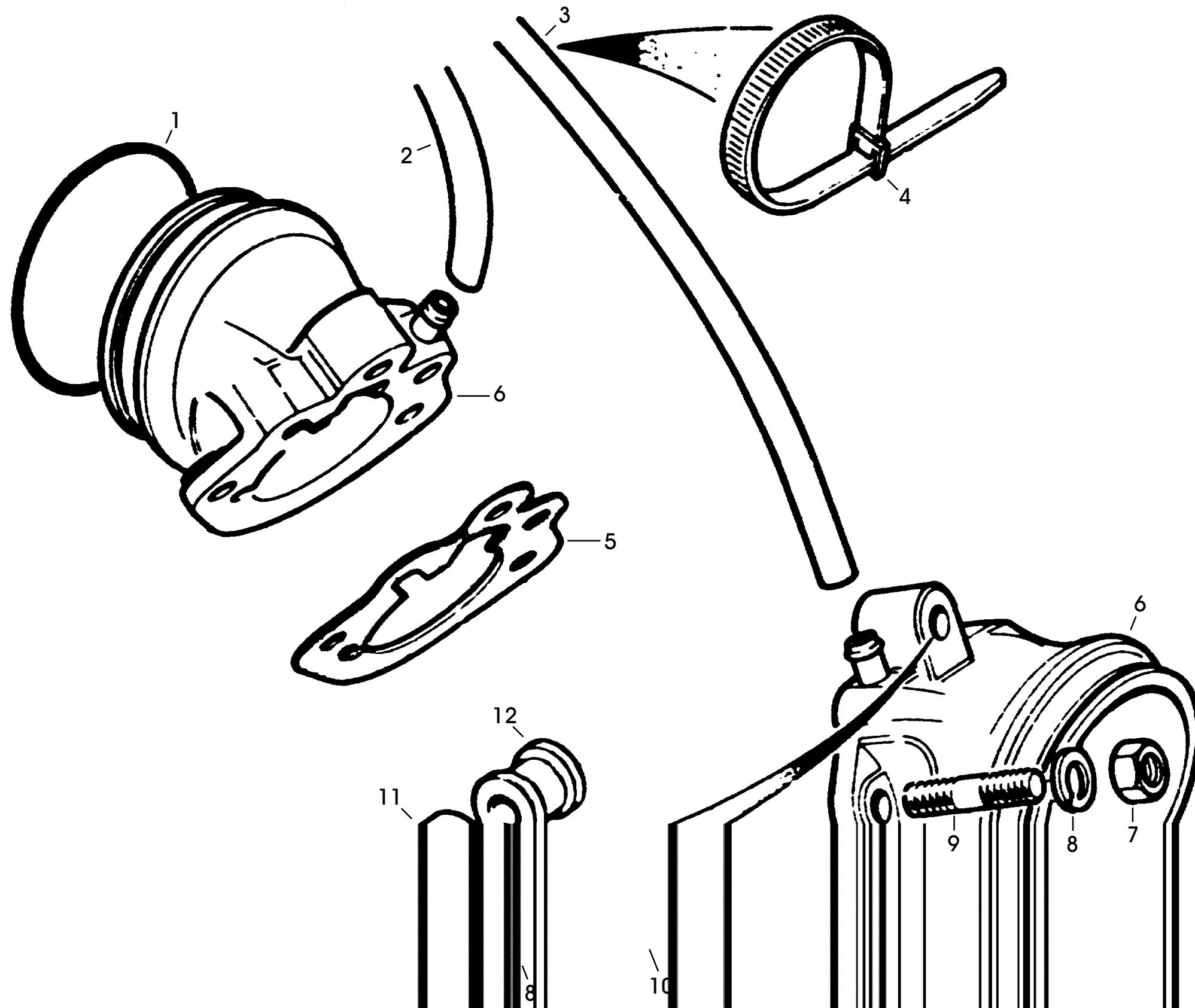
ITEM(S) NOT ILLUSTRATED

TEXT

___ 0027 ZPM1 R00000088 10008-1L6 CARBURETTORS COMPONENTS (V8)

ITEM	NSN	DESCRIPTION	QTY	GOR
___ 0000		10008-1L6	1	
___ 0001	2910-99-825-2161	DIAPHRAGM,CARBURETT	2	F
___ 0002	2910-99-819-3070	DAMPER ASSEMBLY,CARBURETTOR	2	U
___ 0003	2915-99-132-8342	BUTTERFLY	2	F
___ 0004	5305-99-807-4936	SCREW,MACHINE	4	F
___ 0005	2910-99-761-2133	SPRING,TORSION	2	F
___ 0006	2910-99-817-4582	FLOAT,CARBURETTOR	2	F
___ 0007	2910-99-761-2132	SCREW,ADJUSTING	2	F
___ 0008	2910-99-796-5398	METERING NEEDLE-CARBURETOR	2	F
___ 0009	2910-99-739-8472	SPRING, HELICAL, COMP LR carb	1	F

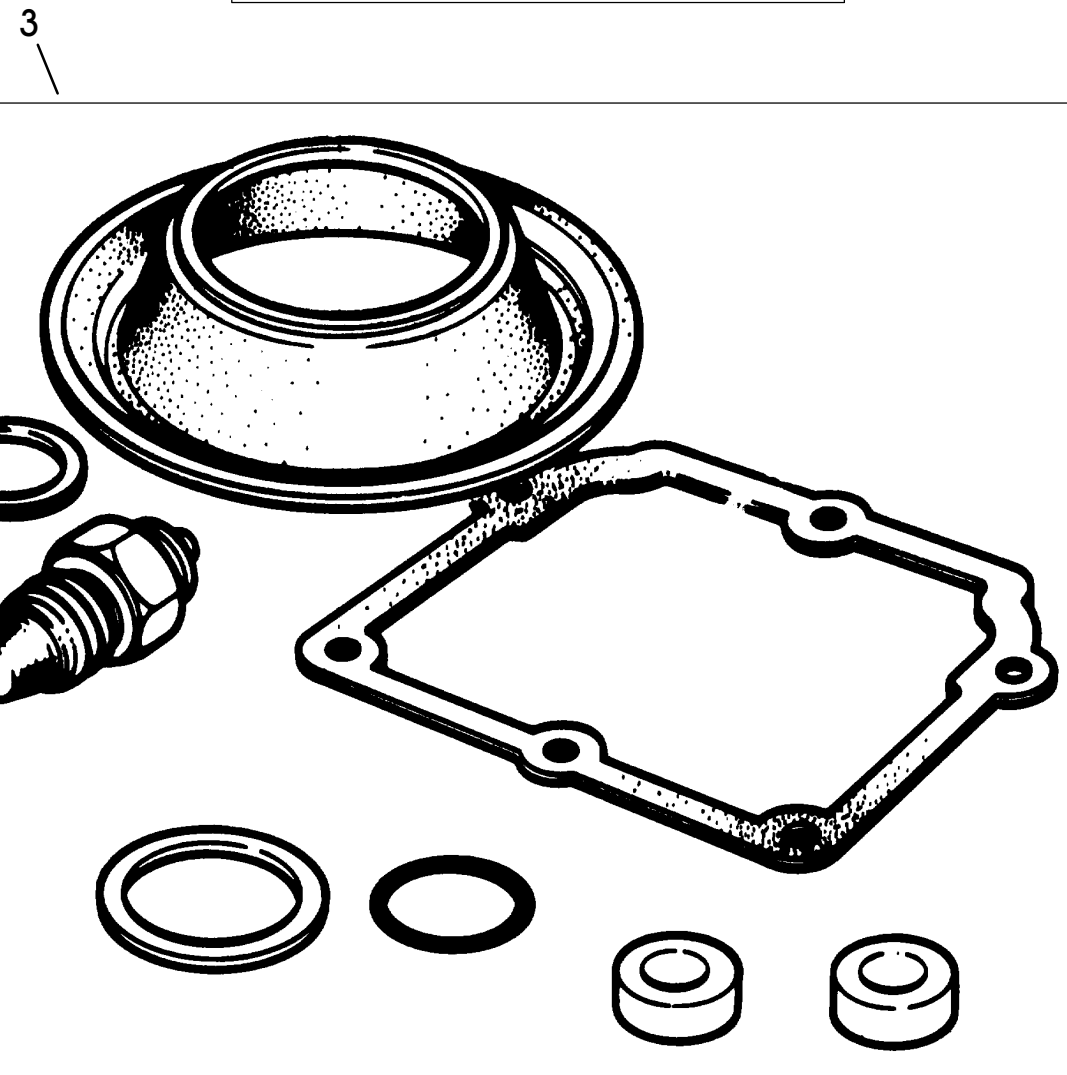
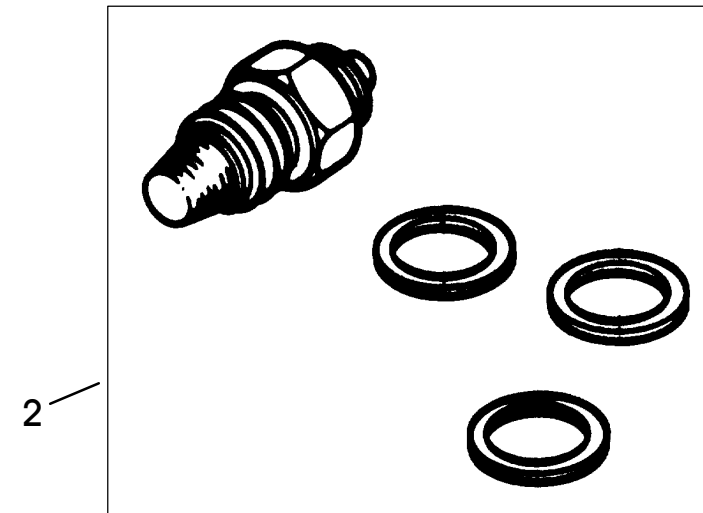
1M6 AIR INTAKE ADAPTORS (V8)



TEXT

0028 ZPM1 R00000103 10008-1N6 AIR INTAKE ADAPTORS (V8)

ITEM	NSN	DESCRIPTION	QTY	GOR
0000		10008-1N6	1	
0001	5330-99-103-5350	RING,SEALING,TOROIDAL:NATURAL OR SYNTHET	2	U
0002	2805-98-856-0356	VENT PIPE (R/H)	1	U
0003	2805-98-856-0357	VENT PIPE (L/H)	1	U
0004	5340-99-805-7323	BUCKLE STRAP,NONMET	1	U
0005	2910-99-824-1968	GASKET,CARBURETTOR	2	U
0006	2540-99-496-1486	ADAPTER, AIR INLET	2	U
0007	5310-99-136-1515	NUT,PLAIN,HEX,UNF 0.312-in,0.5-in AF, UNF, stl, zn pld, 0.312-in dia, 0.5-in A	4	U
0008	5310-99-941-6655	WASHER,LOCK,0.335-in id,0.503-in od,0.07 0.335-in id, 0.503-in od, 0.078-in thk s	6	U
0009	5307-99-137-6131	STUD,PLAIN	4	U
0010	5306-99-941-3329	BOLT,MACHINE,UNC 0.312-in,1.375-in lg, UNC, stl, hex hd, cd pld, 0.312-in dia,	2	U
0011	5340-99-849-9957	CLIP, SPRING TENSION	2	U
0012	5325-99-850-1501	GROMMET, RUBBER	2	U

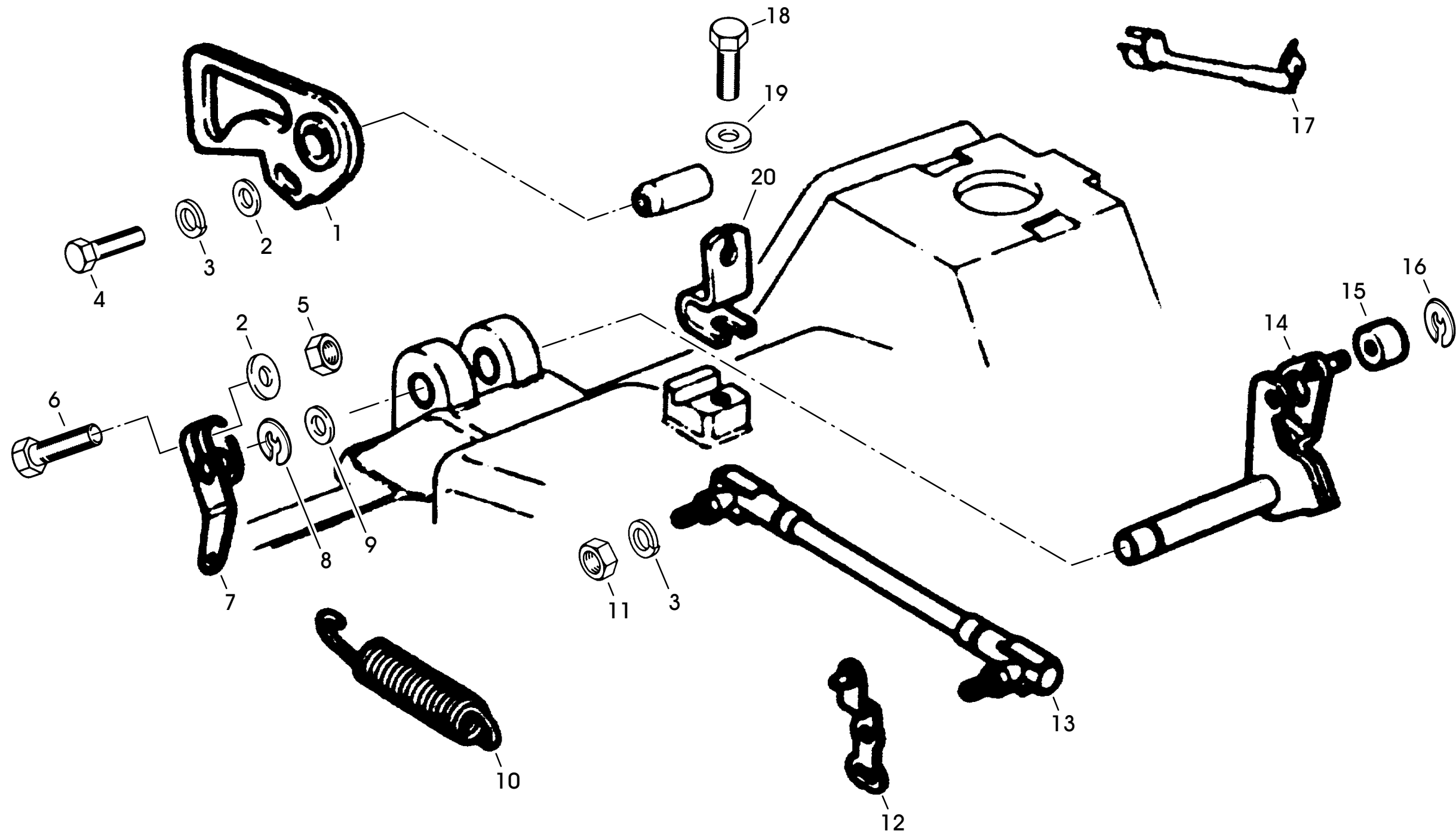


TEXT

|__ 0029 ZPM1 R00000014 10008-1B7 CARBURETTOR GASKETS (V8)

	ITEM	NSN	DESCRIPTION	QTY	GOR
	__ 0000		10008-1B7	1	
	__ 0001	2910-99-839-3850	GASKET PACK	2	F
	__ 0002	2910-98-856-3411	KIT,NEEDLE VALVE:U/O CARBURETTOR,V8 LAND	2	F
	__ 0003	2910-99-758-2087	PARTS KIT (1), CARB (C/O "O" RINGS/BUSHES FOR SPINDLE, DIAPH	2	F

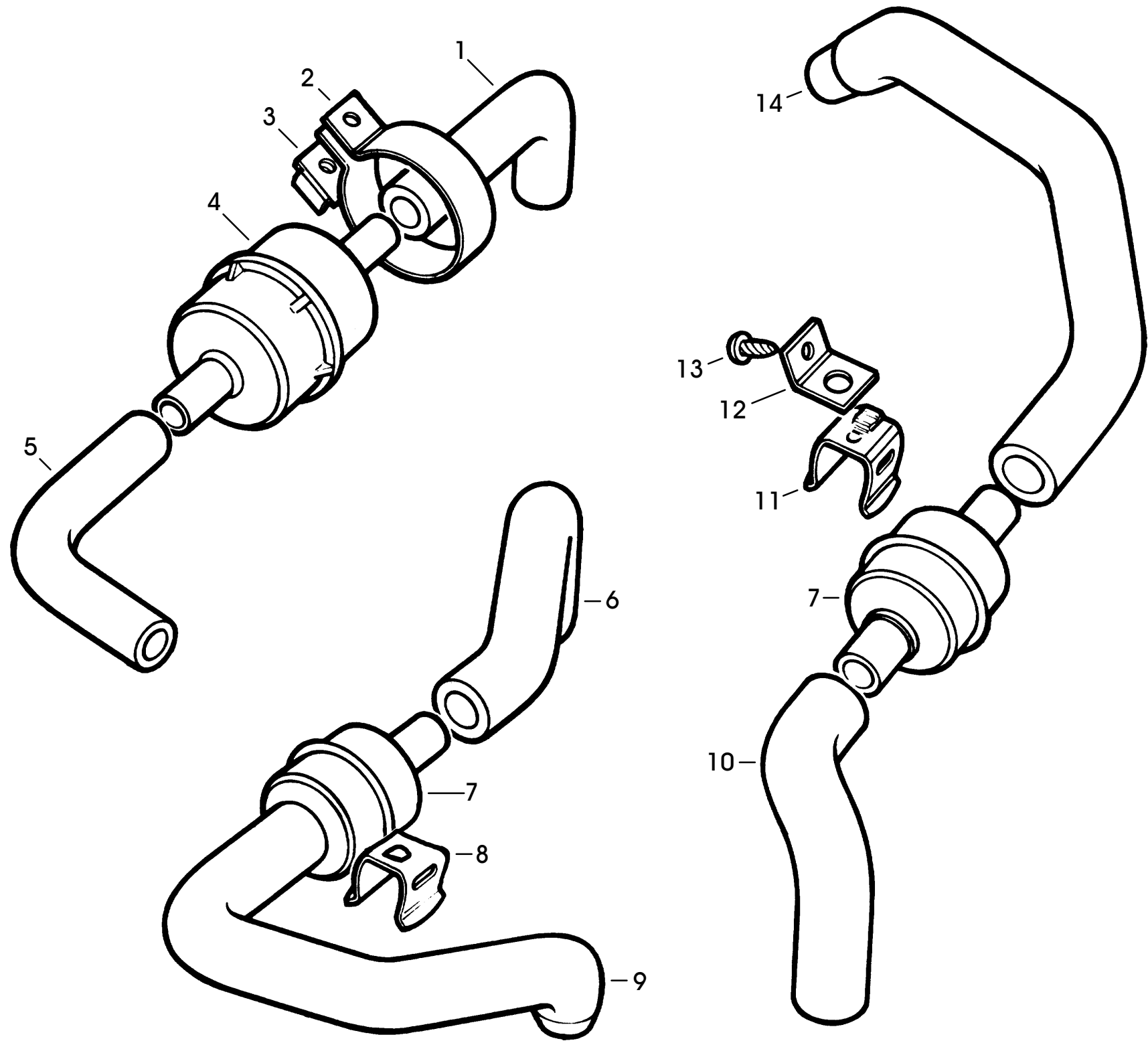
1C7 CARBURETTOR LINKAGE (V8)



TEXT

0030 ZPM1 R00000029 10008-1D7 CARBURETTOR LINKAGE (V8)

ITEM	NSN	DESCRIPTION	QTY	GOR
0000		10008-1D7	1	
0001	2910-99-824-1962	LEVER,THROTTLE	1	F
0002	5310-99-941-6867	WASHER,FLAT,BA No2 bolt size,0.39-in od stl, cd pld, No10, 0.390-in od, 0.031-in	3	F
0003	5310-99-941-6653	WASHER,LOCK,0.330-in od,0.188-in nom stl, 0.330-in od, 0.188-in nom blt size,	4	F
0004	5305-99-137-6178	SCREW,MACHINE	2	F
0005	5310-99-941-2419	NUT, PLAIN, HEXAGON, UNF 0.190, 2B UNF, stl, cham brg, zn pld, No10, 0.130-	1	F
0006	5305-99-136-3718	SCREW,MACHINE hex hd, stl, zn pld, 0.190 - 32UNF, 0.75	1	F
0007	2910-99-824-1967	LEVER,THROTTLE SPRI	1	F
0008	5365-99-580-1339	RING,RETAINING	1	F
0009	5310-99-122-6475	WASHER,FLAT, 0.312-in SIDEPOST 0.312-in id, zn pld	1	F
0010	5360-99-824-1966	SPRING,COUNTERSHAFT	1	U
0011	5310-99-941-2418	NUT,PLAIN,HEXAGON:ST,CD PLD,10-32 UNF 2B stl, cd pld, 0.190 - 32UNF, 0.375-in A/F	2	F
0012	2910-99-824-1957	LEVER,REMOTE CONTRO	1	F
0013	3040-99-761-8063	CONNECTING LINK,RIG	1	F
0014	2540-99-796-5422	COUNTERSHAFT AND LE (WSE USE 2540-99-428-3543)	1	F
0015	2910-99-824-1964	ROLLER,COUNTERSHAFT	1	F
0016	5365-99-942-4321	RING,RETAINING ext	1	F
0017	5340-99-824-1932	CLIP,CABLE	1	U
0018	5305-99-941-0686	SCREW,HEX HEAD,UNC 0.25-20,0.625-in lg, UNC, stl, hex hd, zn pld, 0.250-in dia,	1	F
0019	5310-99-122-6474	WASHER,FLAT, M6x12.5x1.6mm, zn pld, stl 6.4mm id, 12.1mm od, 1.5mm thk, stl, zn	1	F
0020	2910-99-796-5424	ANCHOR BRACKET	1	F



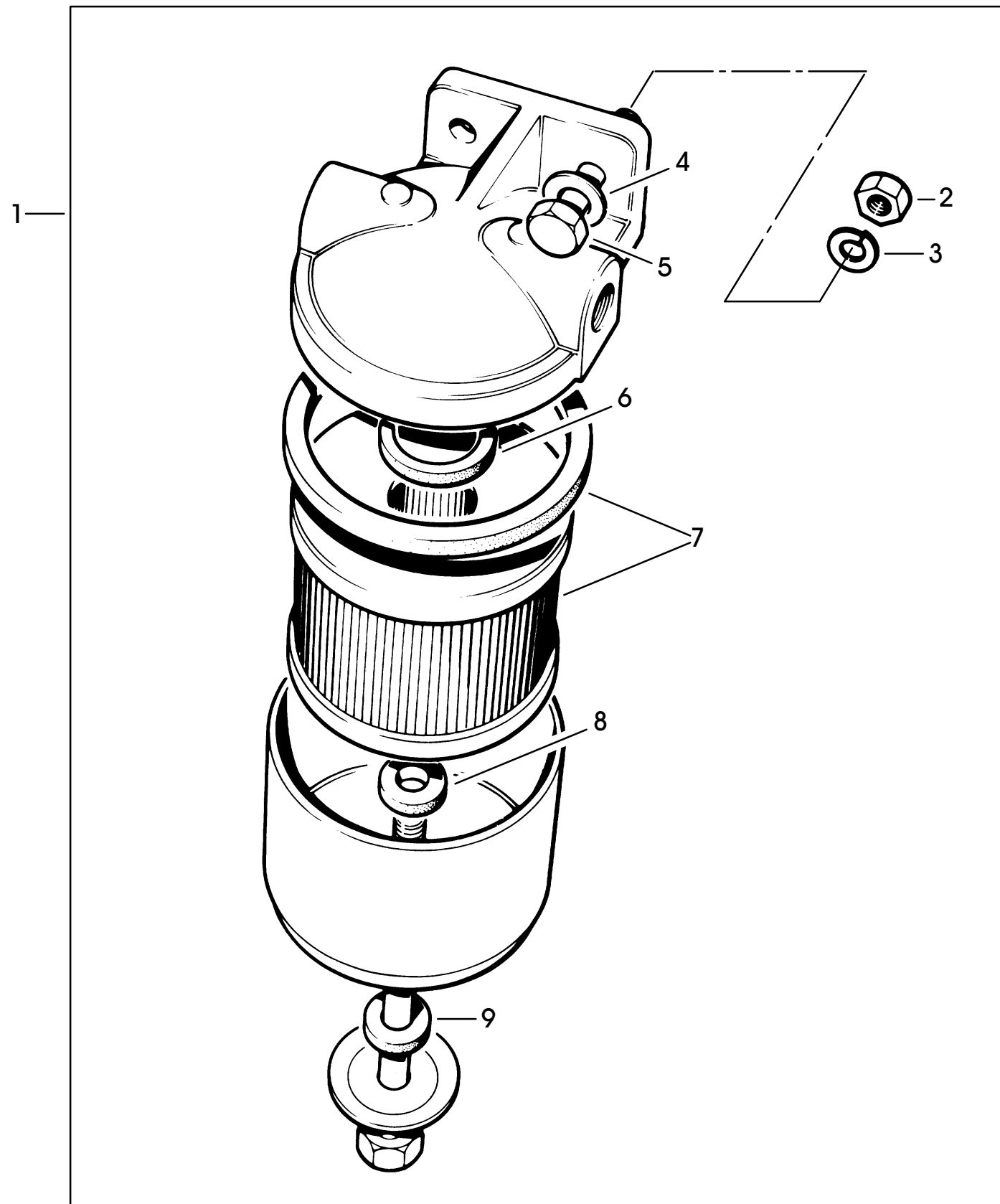
TEXT

___ 0031 ZPM1 R00000043 10008-1F7 BRTHR FLTR & FLAME TRAPS (V8)

ITEM	NSN	DESCRIPTION	QTY	GOR
___ 0000		10008-1F7	1	
___ 0001	2590-99-824-7732	PIPE,FILTER OUTLET	1	U
___ 0002	5340-99-839-3628	CLAMP,LOOP	1	U
___ 0003	5310-99-137-6549	NUT,SHEET SPRING	1	U
___ 0004	2910-99-822-2910	SERVICE PACK,PETROL(FUEL LINE FILTER)	1	U
___ 0005	2590-99-824-7731	PIPE,FILTER CONNECT	1	U
___ 0006	4720-99-796-5443	HOSE,POLYVINYL CHLO (ROCKER COVER TO FLAME TRAP, R/H)	1	U
___ 0007	2805-99-822-7806	TRAP,FLAME	2	U
___ 0008	5340-99-796-6096	BRACKET, ANGLE	1	U
___ 0009	4720-99-796-5444	HOSE,POLYVINYL CHLO (FLAME TRAP TO CARBURETTOR, R/H)	1	U
___ 0010	4720-99-822-1715	HOSE,PREFORMED	1	U
___ 0011	5340-99-824-2452	CLIP.JUNCTION BOX	1	U
___ 0012	5340-66-106-0881	BRACKET,ANGLE:BRACKET,ANGLE	1	U
___ 0013	5305-99-971-0484	SCREW,TAPPING,THREAD FORMING:FORMING,0.1	1	U
___ 0014	4720-99-822-1712	HOSE,PREFORMED	1	U

___ 0032 ZPM1 R00000059 10008-1H7 FUEL PUMP (V8)

ITEM	NSN	DESCRIPTION	QTY	GOR
___ 0000		10008-1H7	1	
___ 0001	2910-12-191-2777	PUMP,FUEL,CAM ACTUATED c/w gaskets	2	U
___ 0002	4820-99-829-8971	VALVE,NON-RETURN	2	U
___ 0003	5365-99-801-4380	SPACER,RING	2	U
___ 0004	5310-99-804-7941	NUT,PLAIN,HEXAGON:0.250-28 UNF UNF, 0.250-in, 0.438-in A/F, 0.218-in o/	6	U
___ 0005	5310-99-941-6654	WASHER,LOCK,0.250-in id,0.425-in od,0.07 stl, sp hlcl ring, 0.250-in blt size, 0.	6	U
___ 0006	5310-99-122-3411	WASHER,FLAT:6.4MM MIN,6.7MM MAX ID,12.1M stl, 6.7mm id, 12.5mm od, 1.6mm thk	6	U
___ 0007	5310-99-796-7544	WASHER,LOCK	4	U
___ 0008	5340-99-798-2858	MOUNT,RESILIENT	4	U
___ 0009	5310-99-137-6558	NUT,PLAIN,BLIND RIVET	2	F
___ 0010	2590-99-733-2635	EARTH LEAD	2	U
___ 0011	2910-99-881-3814	FILTER,FUEL PUMP	2	U
___ 0012	5330-99-881-3812	GASKET cov	2	U
___ 0013	9999-98-ASC-0002	NOT PROVIDED (COVER)	2	F
___ 0014	5940-99-805-0220	SOCKET,ELECTRICAL:FREE FEMALE SHELL,STRA	2	U
___ 0015	5935-99-805-2902	PLUG,TIP brs, 10, 0.812-in lg	2	U
___ 0016	5970-99-947-0584	INSULATION SLEEVING, ELECTRICAL, SPECIAL	2	U

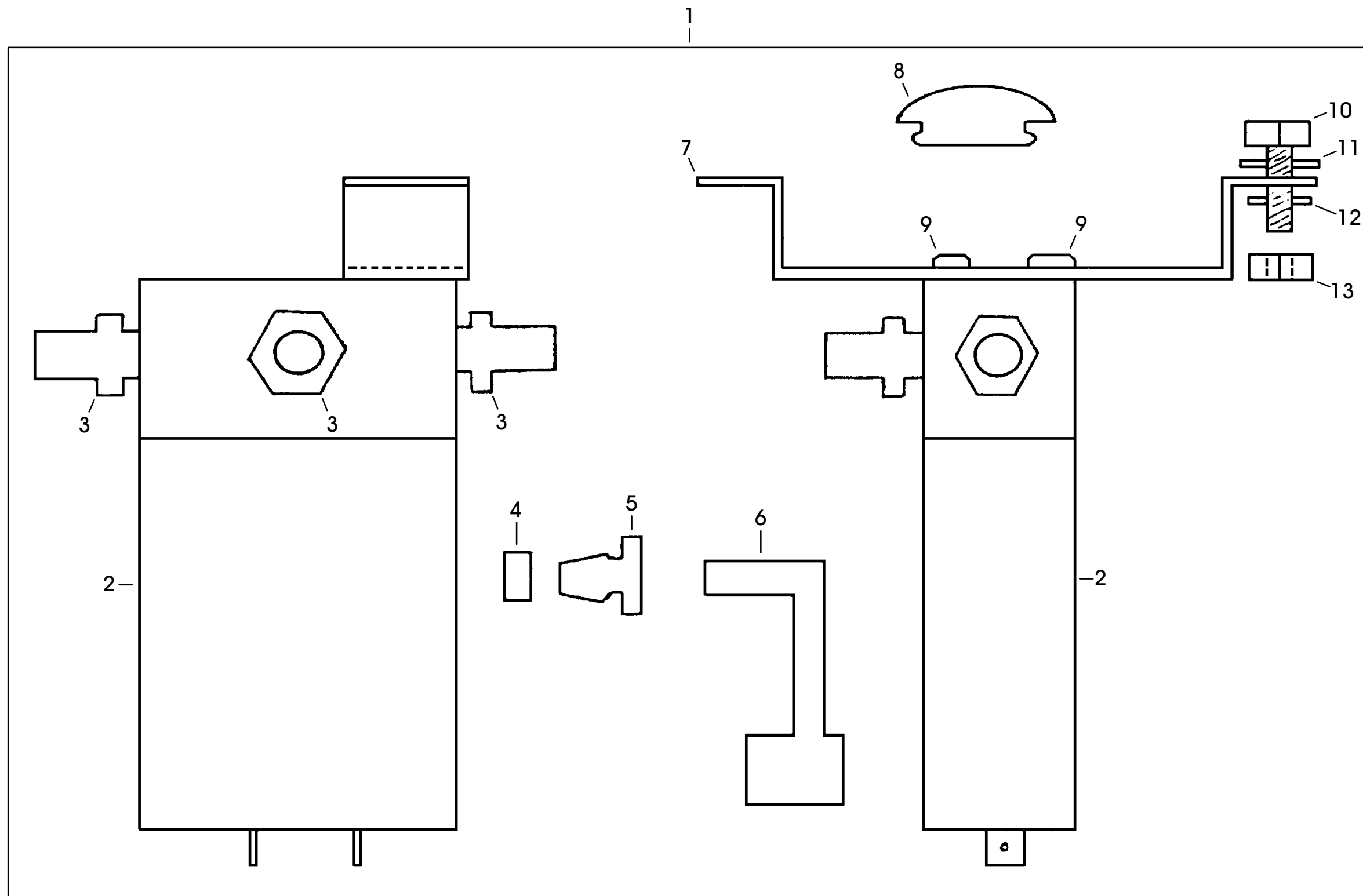


TEXT

___ 0033 ZPM1 R00000074 10008-1J7 FUEL FILTER (V8)

ITEM	NSN	DESCRIPTION	QTY	GOR
___ 0000		10008-1J7	1	
___ 0001	2910-99-820-0124	FILTER,FLUID,PRESSU	1	U
___ 0002	5310-99-122-5295	NUT,PLAIN,HEXAGON:ISO M,6X1,STEEL,ZINC P M6 - 1p, stl, zn pld, gr 8	2	U
___ 0003	5310-99-137-9232	WASHER,LOCK M6, 9.6mm o/d, 1.5mm thk, stl, zn pld	2	U
___ 0004	5310-99-122-6474	WASHER,FLAT, M6x12.5x1.6mm, zn pld, stl 6.4mm id, 12.1mm od, 1.5mm thk, stl, zn	2	U
___ 0005	5305-99-796-7536	SCREW,MACHINE	2	U
___ 0006	5330-99-201-6839	GASKET	1	U
___ 0007	2940-99-201-5465	FILTER ELEMENT,FLUI	1	U
___ 0008	5310-99-201-6766	WASHER,FLAT	1	U
___ 0009	5330-99-201-6849	GASKET	1	U

1K7 FUEL, FEED AND RETURN SOLENOIDS (V8)



ITEM(S) NOT ILLUSTRATED

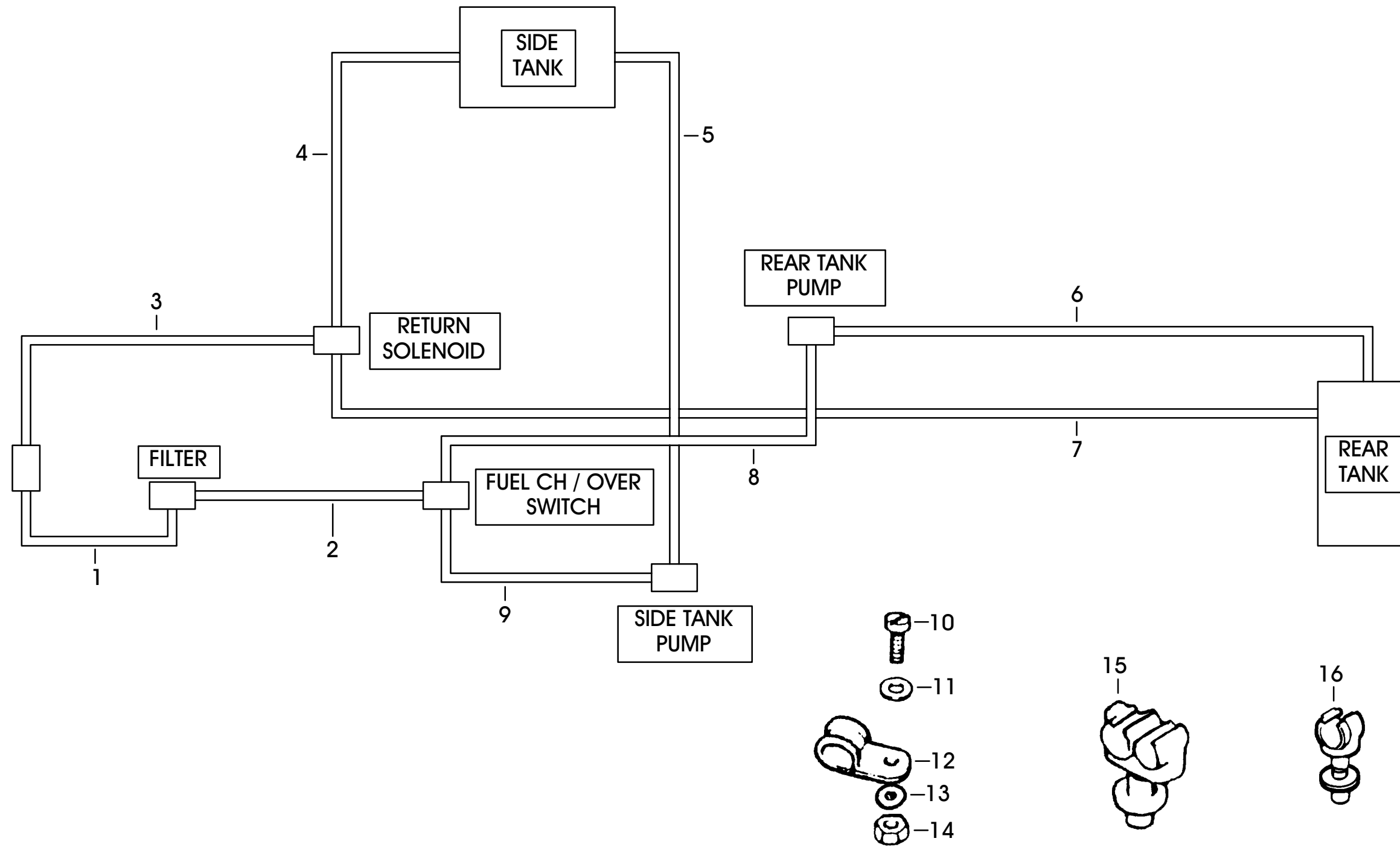
14, 15

TEXT

0034 ZPM1 R00000089 10008-1L7 FUEL FEED & RTN SOLENOIDS (V8)

ITEM	NSN	DESCRIPTION	QTY	GOR
0000		10008-1L7	1	
0001	4810-98-200-6591	VALVE,SOLENOID:DIAPHRAGM TYPE,24V DC,1 I BSP 0.250-in, diaph type, 24V dc, 1 inle	2	U
0002	4810-98-200-6590	COIL AND DIAPHRAGM,SOLENOID VALVE:P/O 48 INACTIVE NONPROCURABLE	2	U
0003	4730-98-200-6595	UNION, PIPE: brs, Rotherham body, 0.250-in BSP ext th	3	U
0004	4730-98-200-6596	SLEEVE, COMPRESSION, TUBE-HOSE FITTING brs, dbl bvl flareless type, 0.312-in ho	1	U
0005	4730-98-200-6599	INVERTED NUT, TUBE COUPLING BSP 0.250-in thd, brs, tube cprsn type,	1	U
0006	4730-98-200-6597	ELBOW, PIPE BSP 0.250-in, brs, thd int 1 end and un	1	U
0007	2540-99-825-2596	PLATE,PROTECTION,VA	2	U
0008	5325-98-200-6594	GROMMET BLANK, NONMETALLIC	1	U
0009	5305-98-200-6592	SCREW, MACHINE M4 x 8, pan hd, pozi dr	4	U
0010	5305-98-200-6589	SETSCREW UNF, 0.250-in, 28 tpi, rh, high tensile	4	U
0011	5310-98-200-6588	WASHER,FLAT:ST,0.25IN.ID,1-1/4IN.OD,RECT stl, 0.250-in id	2	U
0012	5310-98-200-6587	WASHER, LOCK 0.250-in id	4	U
0013	5310-99-804-7941	NUT,PLAIN,HEXAGON:0.250-28 UNF UNF, 0.250-in, 0.438-in A/F, 0.218-in o/	2	U
0014	4730-98-200-6598	ADAPTER, STRAIGHT, PIPE TO TUBE brs, int 0.250-in BSP 1st end, ext 0.250	3	U
0015	2920-98-200-6593	WIRING HARNESS,BRANCHED:LOOM FOR SOLENOI loom for sol fuel valve on V8 Landrover	1	U

1M7 FUEL PIPES (V8)

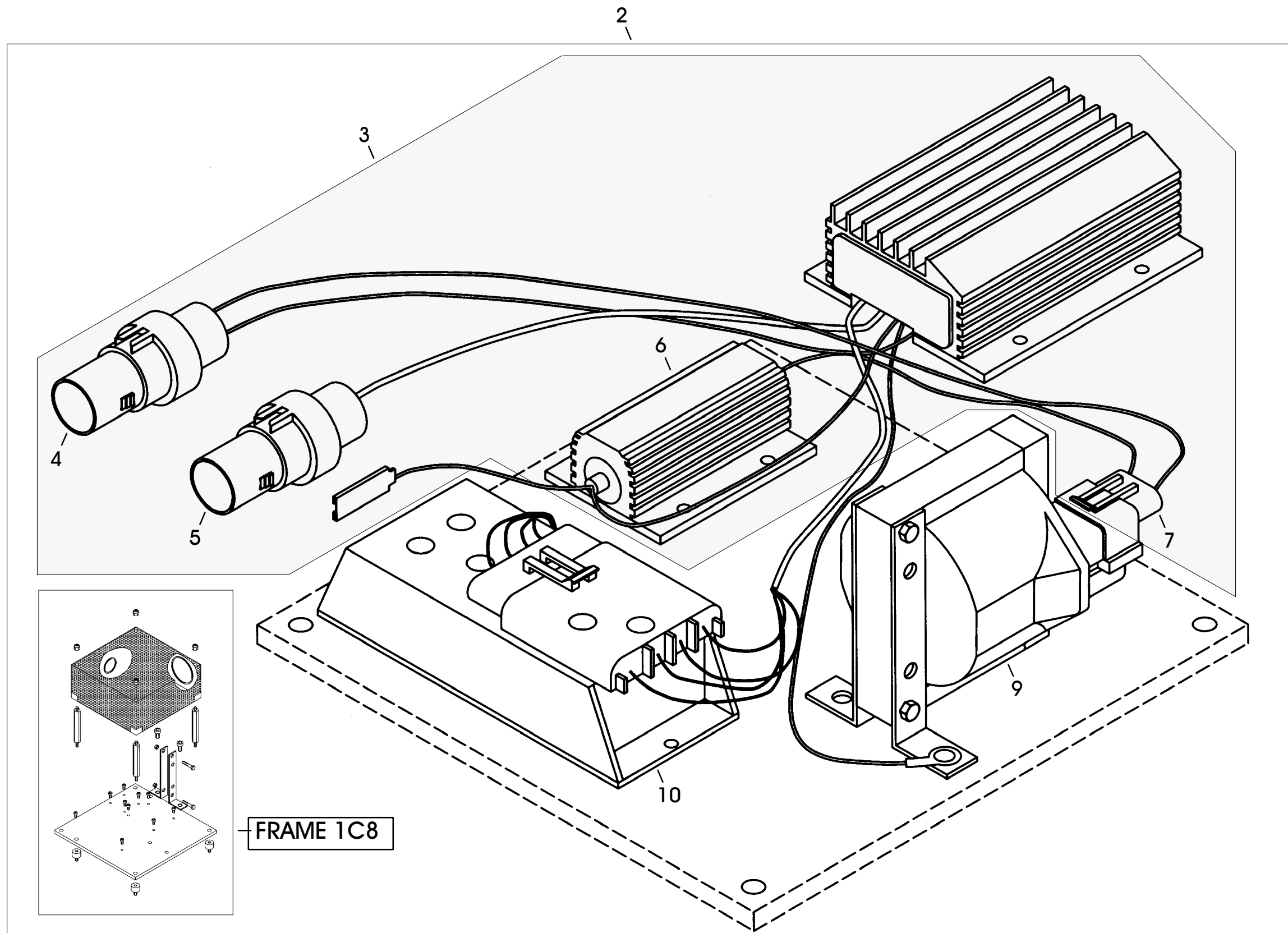


TEXT

___ 0035 ZPM1 R00000104 10008-1N7 FUEL PIPES (V8)

ITEM	NSN	DESCRIPTION	QTY	GOR
___ 0000		10008-1N7	1	
___ 0001	4720-99-796-6176	HOSE ASSEMBLY,NONME fuel pipe (FILTER TO CARB)	1	U
___ 0002	4720-98-200-6585	HOSE ASSEMBLY, NONMETALLIC plstc polypropylene, rd, smooth inr, fue	1	U
___ 0003	4720-99-796-7494	HOSE ASSEMBLY,NONME fuel pipe	1	U
___ 0004	4720-99-796-7497	HOSE ASSEMBLY,NONME fuel pipe	1	U
___ 0005	4720-98-200-6582	HOSE ASSEMBLY,NONMETALLIC:PLASTIC POLYPR plstc polypropylene, rd, smooth inr, sid	1	U
___ 0006	4720-98-200-6581	HOSE ASSEMBLY,NONMETALLIC:PLASTIC POLYPR plstc polypropylene, rd, smooth inr, rea	1	U
___ 0007	4720-99-796-7488	HOSE ASSEMBLY,NONME fuel pipe	1	U
___ 0008	4720-98-200-6584	HOSE ASSEMBLY,NONMETALLIC:PLASTIC POLYPR plstc polypropylene, rd, smooth inr, rea	1	U
___ 0009	4720-98-200-6583	HOSE ASSEMBLY,NONMETALLIC:PLASTIC,POLYPR plstc polypropylene, rd, smooth inr, sid	1	U
___ 0010	5305-99-135-0430	SCREW,MACHINE	1	U
___ 0011	5310-99-122-3032	WASHER,FLAT:M5 5mm bolt size, 10mm od, 1mm thk, stl, zn	1	U
___ 0012	5340-99-796-5417	CLAMP,LOOP	1	U
___ 0013	5310-99-977-1102	WASHER,LOCK stl, zn plt, M5, 9mm od, 1.2mm thk	1	U
___ 0014	5310-99-122-5294	NUT,PLAIN,HEXAGON M5 - 0.8p, stl, zn pld	1	U
___ 0015	2590-99-796-5409	PIPE CLIP (SIDE CHASSIS)	2	U
___ 0016	5340-99-796-5418	CLIP,PIPE	6	U

1A8 IGNITION CONTROL ASSEMBLY (V8)



ITEM(S) NOT ILLUSTRATED

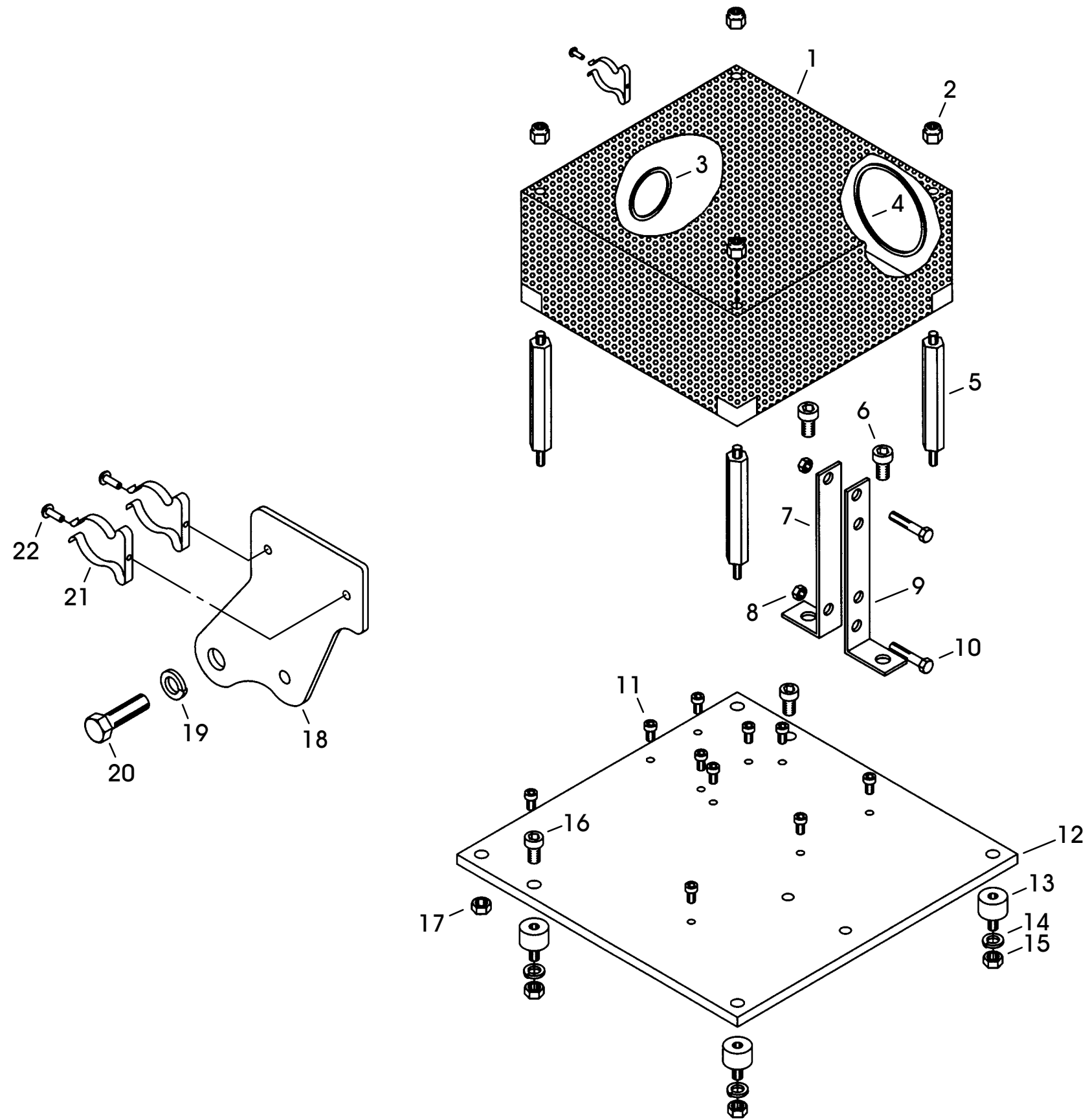
1, 8

TEXT

___ 0036 ZPM1 R00000015 10008-1B8 IGNITION CONTROL ASSEMBLY (V8)

ITEM	NSN	DESCRIPTION	QTY	GOR
___ 0000		10008-1B8	1	
___ 0001	2920-98-204-5919	IGNITION SYSTEM, CO (FRAMES 1A8,1C8,1E8,1G8: COMPLETE KIT as	1	F
___ 0002	5998-98-204-1673	ELECTRONIC COMPONENTS ASSY V8 L/ROVER (C/O ITEMS 3-10 and ITEMS 1-13 FRAME 1C8	1	F
___ 0003	2920-01-390-6279	CONTROL,ELECTRONIC, (C/W ITEMS 4-8)	1	F
___ 0004	5935-98-204-1669	CONNECTOR, RECEPTACLE, ELECTRICAL (DIAGNOSIS AND TUNING)	1	F
___ 0005	5935-98-204-1670	CONNECTOR, RECEPTACLE, ELECTRICAL (CONTROL UNIT TO DISTRIBUTOR)	1	F
___ 0006	2920-01-390-6278	BALLAST,SPECIAL-ELECTRONIC IGNITION (LESS WIRING LOOM)	1	F
___ 0007	5935-01-390-5150	CONNECTOR, RECEPTACLE, ELECTRICAL ign coil (INCLUDES WIRING, DOES NOT INCLUDE ITEM	1	F
___ 0008	6150-98-204-1672	EARTH LEAD, ELECTRICAL: (EARTH LEAD)	1	F
___ 0009	2920-01-390-5148	COIL,IGNITION	1	F
___ 0010	2920-01-390-6277	LIMITER,ENGINE:NLA FROM SUPPLIER	1	F

1C8 IGNITION CHASSIS COMPONENTS (V8)



TEXT

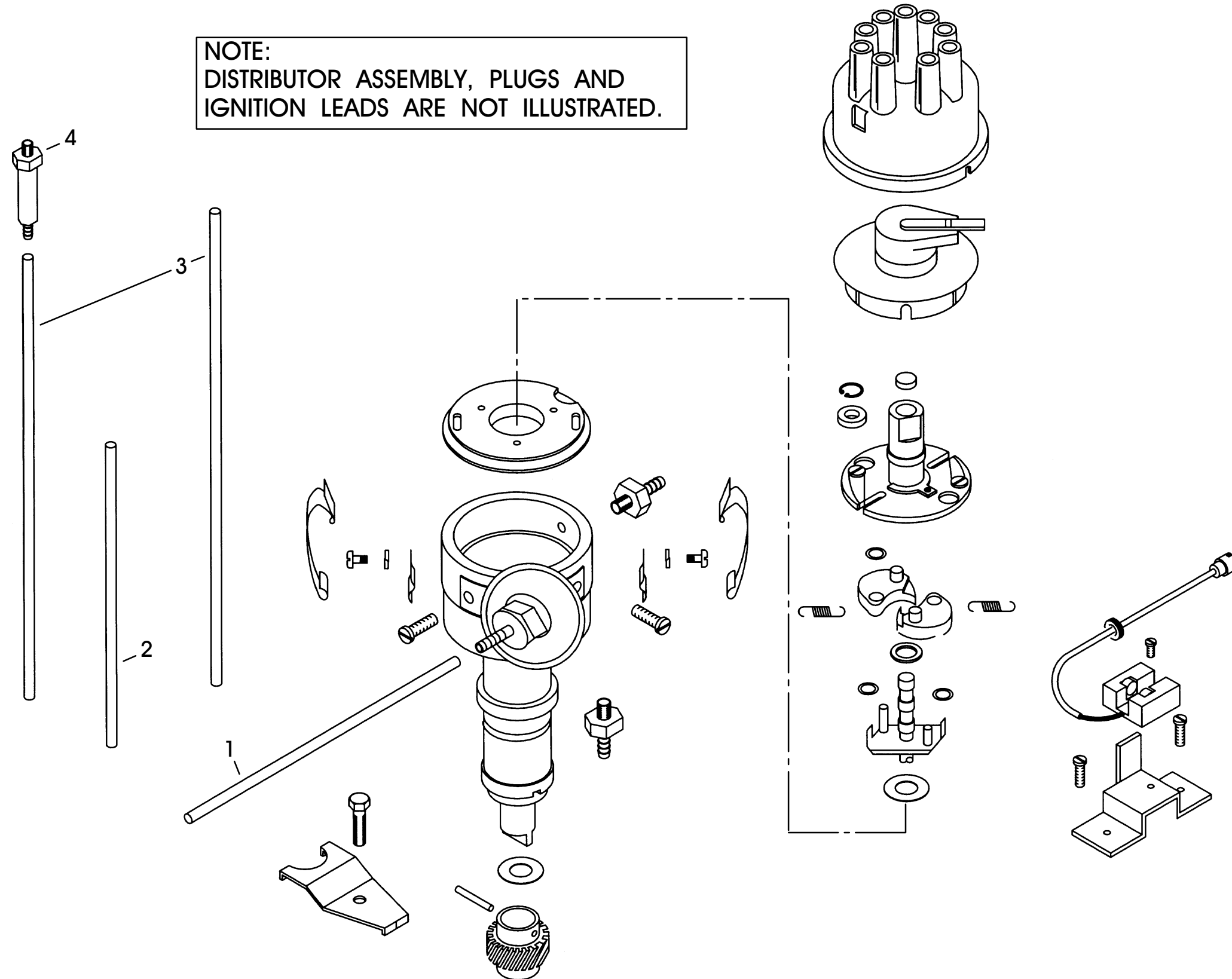
0037 ZPM1 R00000030 10008-1D8 IGNITION CHASSIS PARTS (V8)

ITEM	NSN	DESCRIPTION	QTY	GOR
0000		10008-1D8	1	
0001	5340-98-204-1695	COVER, ACCESS (C/W ITEMS 3 AND 4)	1	U
0002	5310-12-145-5638	NUT,SELF-LOCKING, M6 M6	4	U
0003	9999-98-ASC-0002	NOT PROVIDED	1	U
0004	9999-98-ASC-0002	NOT PROVIDED	1	U
0005	5307-98-204-1696	STUD, SHOULDERED AND STEPPED (PEDESTAL)	4	U
0006	5305-99-742-0014	SCREW, SOCKET HEAD M6 x 10	2	F
0007	5340-98-204-1697	BRACKET, ANGLE coil pedestal, lh	1	F
0008	5310-12-125-2587	NUT, SELF-LOCKING, HEXAGON stl and plstc, ISO 4 x 0.7mm, 6H, 7mm no	2	F
0009	5340-98-204-1698	BRACKET, ANGLE coil pedestal, rh	1	F
0010	5305-12-141-9812	SCREW, CAP, HEXAGON HEAD M4 x 20	2	F
0011	5305-99-135-1309	SCREW,SOCKET HEAD,M4x8mm lg M4 x 8, stl, ffil or knurled hd, cd pld	10	F
0012	5999-98-204-1699	MOUNTING PAD, ELECTRICAL-ELECTRONIC COMP (HEAT SINK)	1	F
0013	9999-98-ASC-0002	NOT PROVIDED (ISOLATOR, CHASSIS, MFR:7500084, NSCM:	4	U
0014	5310-00-889-2584	WASHER, SPRING TENSION 0.192-in id, 0.360-in od, 0.013-in thk	4	U
0015	5310-00-934-9751	NUT,PLAIN,HEXAGON UNF 0.190 - 32, 0.750-in A/F, 0.130-in h	4	U
0016	5305-99-120-4161	SCREW,SOCKET HEAD,UNF No 10-32,10mm lg, UNF No10 - 32, 10mm lg, full thd, stl, z	2	U
0017	5310-00-262-6402	NUT, SELF-LOCKING, HEXAGON 3/16-in UNF, cd or zn pld	2	U
0018	5340-98-204-5963	BRACKET, MOUNTING	1	U
0019	5310-99-941-6629	WASHER,LOCK,0.398-in id,stl,zn pld (3/8, ZINC PLATED)	1	U
0020	5305-00-115-9526	SCREW,CAP,HEXAGON HEAD stl, cd pld, 0.375 - 16UNC, 0.750-in lg,	1	U
0021	5340-98-204-5964	CLIP SPRING TENSION	2	U
0022	5320-00-011-8047	RIVET, SOLID 0.125-in x 0.1875-in	2	U

0038 ZPM1 R0000044 10008-1F8 DISTRIBUTOR PLUGS & LEADS (V8)

ITEM	NSN	DESCRIPTION	QTY	GOR
0000		10008-1F8	1	
0001	2920-98-DAA-8774	DISTRIBUTOR CAP s/s to 98-205-6730 INACTIVE NONPROCURABLE	1	U
0002	2920-01-420-4290	ROTOR, IGNITION DIS	1	U
0003	2920-98-DAA-8780	PLATE, CENTRIFUGAL ADVANCE INACTIVE NONPROCURABLE	1	B
0004	9999-98-ASC-0002	NOT PROVIDED (KIT, WEIGHTS AND SPRINGS, PT NO:29015,	1	B
0005	2920-98-DAA-8779	SHAFT, DISTRIBUTOR (CANCELLED WITHOUT REPLACEMENT)	1	B
0006	9999-98-ASC-0002	NOT PROVIDED (WASHER, THRUST)	2	B
0007	9999-98-ASC-0002	NOT PROVIDED (SCREW, OPTICAL SWITCH MOUNTING)	2	F
0008	9999-98-ASC-0002	NOT PROVIDED (SCREW, OPTICAL SWITCH)	1	F
0009	5325-98-204-1667	GROMMET, NONMETALLIC (FOR DIST WIRING LOOM)	1	F
0010	5930-01-390-5149	OPTICAL TRIGGER SWITCH (C/O ITEMS 9 AND 12)	1	F
0011	9999-98-ASC-0002	NOT PROVIDED (MOUNT, OPTICAL SWITCH)	1	F
0012	5935-98-204-1670	CONNECTOR, RECEPTACLE, ELECTRICAL (CONTROL UNIT TO DIST)	1	F
0013	2920-98-DAA-8776	PLATE, VACUUM ADVANCE INACTIVE NONPROCURABLE	1	B
0014	9999-98-ASC-0002	NOT PROVIDED (BODY, DISTRIBUTOR)	1	B
0015	2920-98-204-1665	BREATHER (DIST VENTILATION)	2	F
0016	5340-01-394-0813	CLIP, RETAINING KIT	2	F
0017	5340-01-394-0813	CLIP, RETAINING KIT	2	F
0018	9999-98-ASC-0002	NOT PROVIDED (SCREW, RETAINING, VACUUM CAPSULE)	2	F
0019	2920-98-204-1674	CONTROL DISTRIBUTOR IGNITION CAPSULE VAC (CAPSULE VACUUM ADVANCE, C/W ITEM 20)	1	F
0020	5330-98-204-1668	SEAL, NONMETALLIC SPECIAL SHAPED SECTION (SEAL, VACUUM ADVANCE)	1	F
0021	5330-99-822-2422	R1NG,SEAL1NG,TORO1D	1	U
0022	3020-99-829-9521	GEAR,HELICAL DISTRIBUTOR	1	U
0023	5315-98-108-2048	PIN, SPRING:	1	U
0024	5999-99-824-3837	PLATE,MOUNTING,ELEC	1	U
0025	5306-99-941-1552	BOLT,MACHINE hex hd, steel zinc pld, 0.375-in 16 UNC,	1	U

NOTE:
DISTRIBUTOR ASSEMBLY, PLUGS AND
IGNITION LEADS ARE NOT ILLUSTRATED.

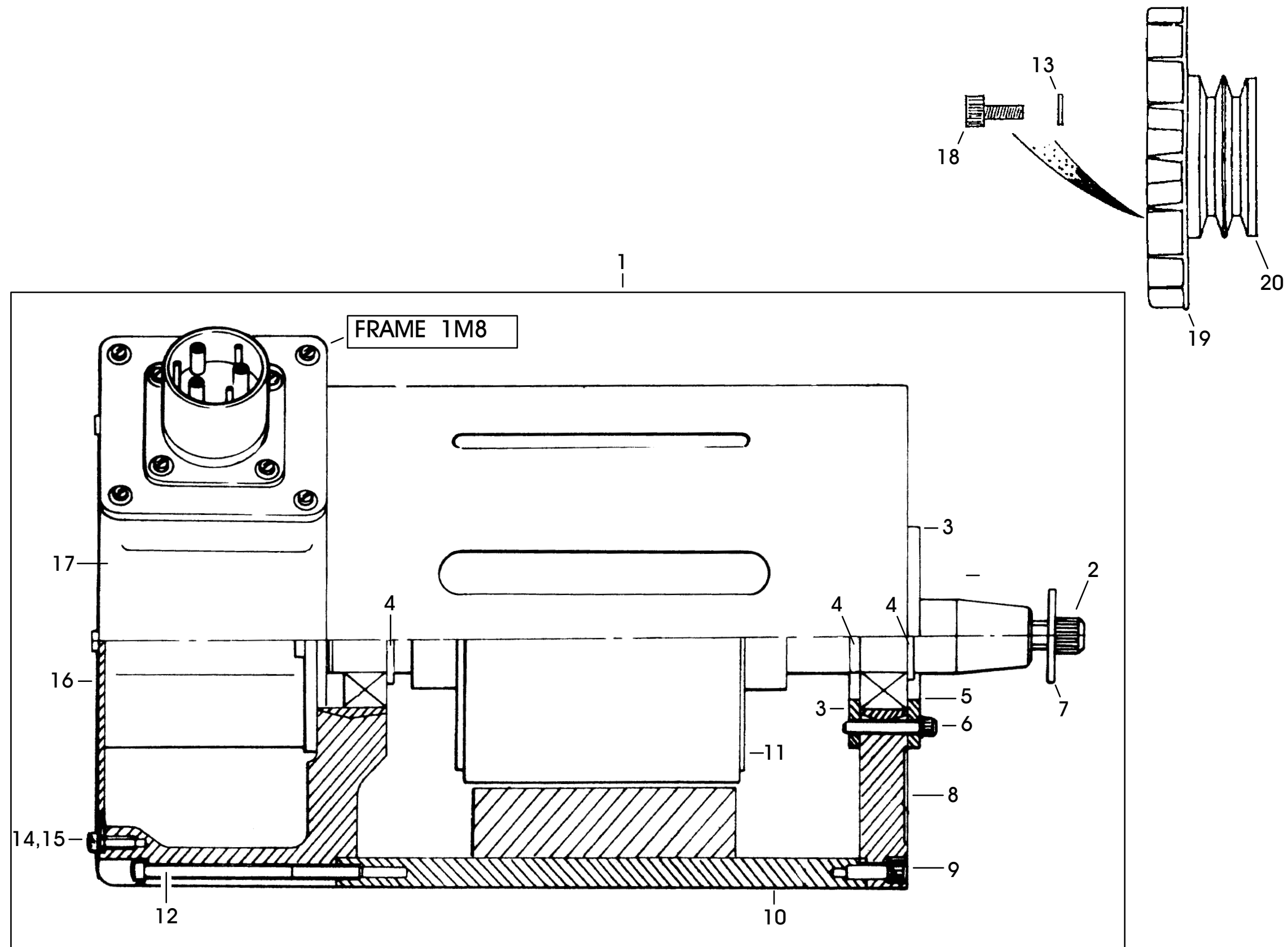


ITEM(S) NOT ILLUSTRATED

TEXT

___ 0039 ZPM1 R00000060 10008-1H8 DISTRIBUTOR PLUGS & LEADS (V8)

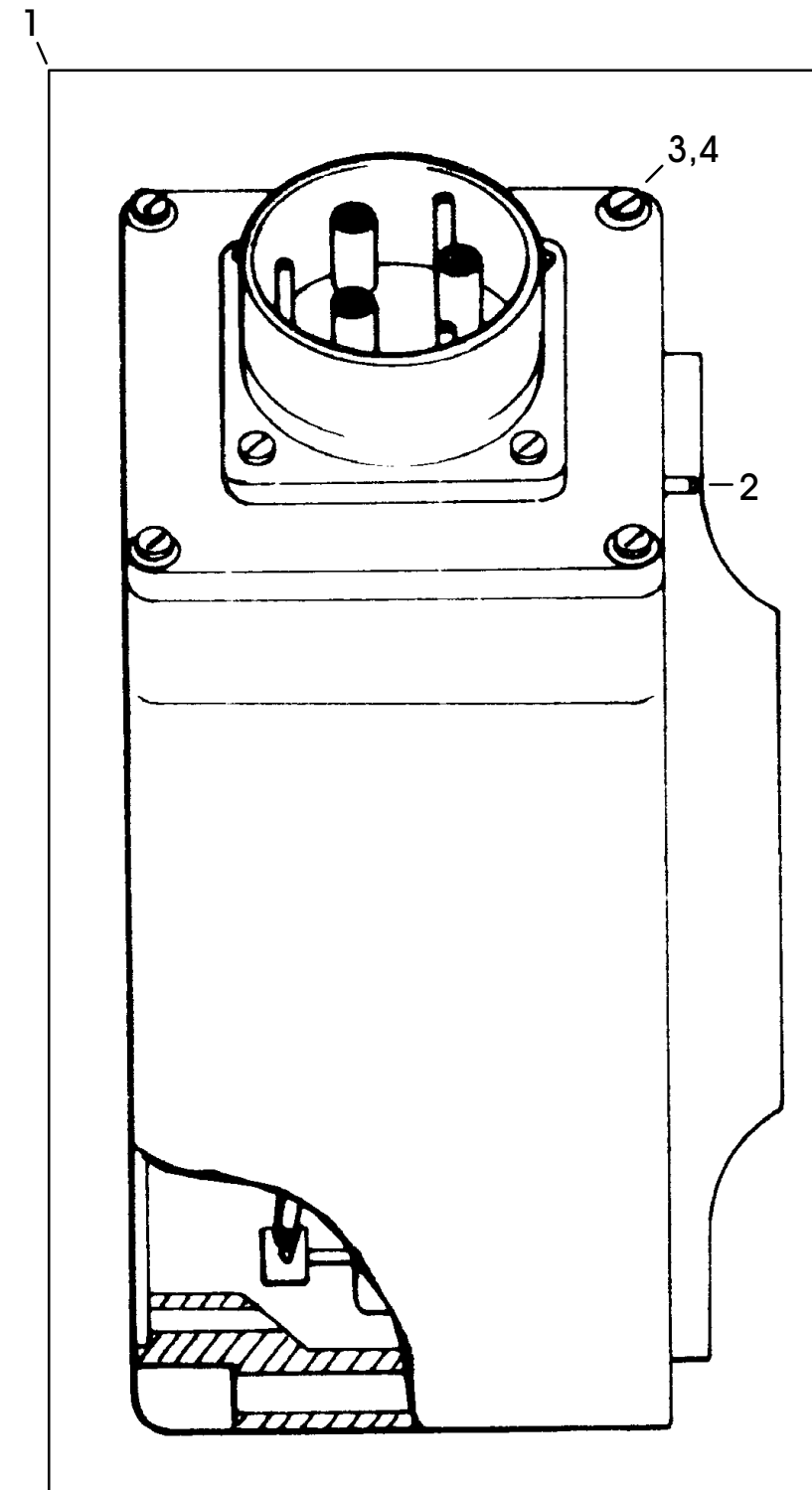
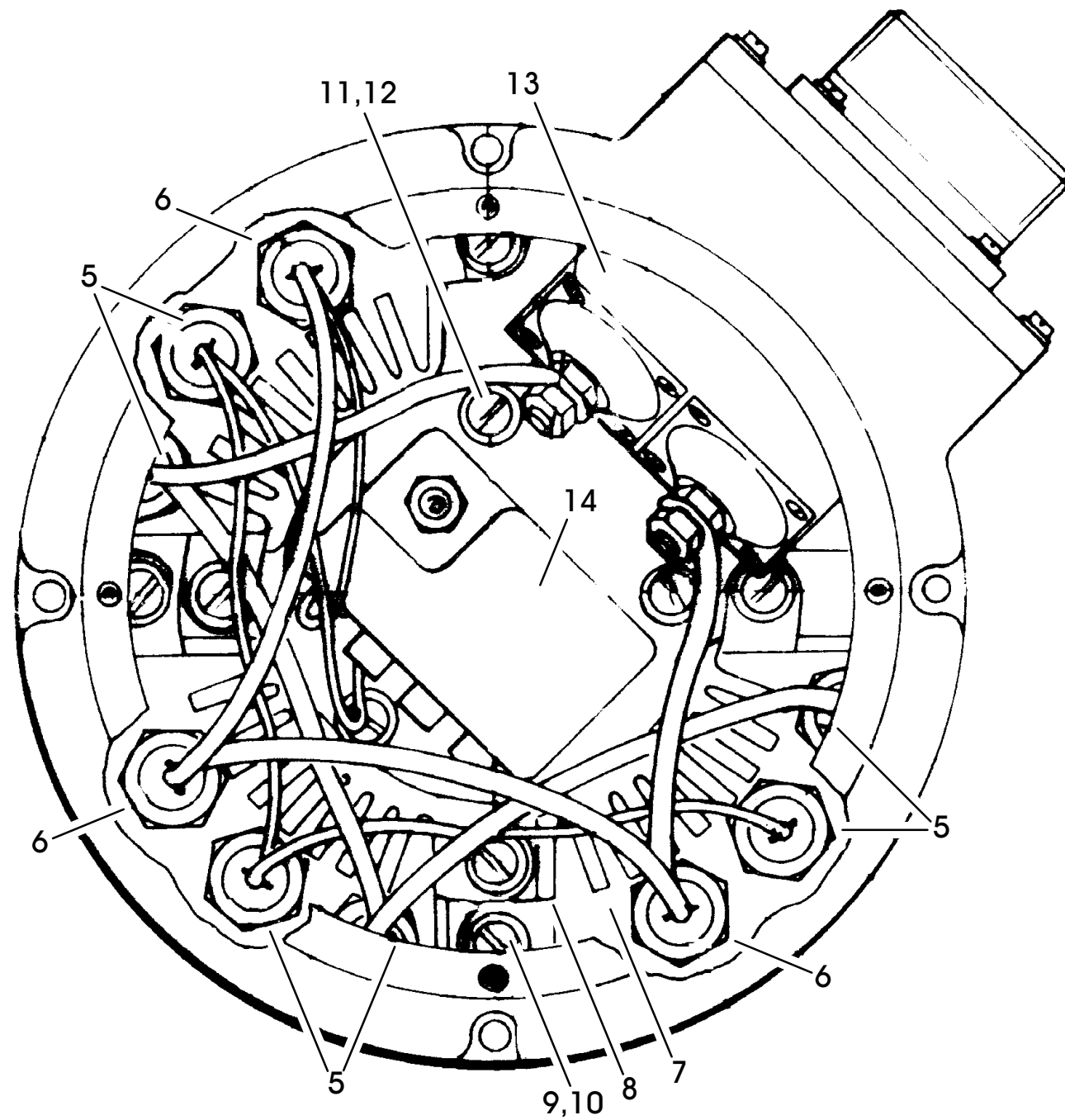
ITEM	NSN	DESCRIPTION	QTY	GOR
___ 0000		10008-1H8	1	
___ 0001	4720-98-204-8438	TUBING, NONMETALLIC, NITRILE 3/16x400 3/16-in id, 400mm lg	1	U
___ 0002	4720-98-204-8439	TUBING, NONMETALLIC, NITRILE 5/16x230 5/16-in id, 230mm lg	1	U
___ 0003	4720-98-204-8440	TUBING, NONMETALLIC, NITRILE 5/16x450 5/16_in id, 450_mm lg	2	U
___ 0004	4820-98-204-8441	VALVE, CHECK dist ventilation	1	U
___ 0005	2920-98-204-1661	*DISTRIBUTOR, IGNITION (LESS TUBES) (COMPLETE DISTRIBUTOR LESS TUBING AND IG	1	U
___ 0006	2920-98-204-2994	LEAD, IGNITION, #1 number 1, dist to spark plug	1	U
___ 0007	2920-01-389-1106	LEAD, IGNITION, #2 number 2, dist to spark plug	1	U
___ 0008	2920-98-204-2997	LEAD, IGNITION, #3 number 3, dist to spark plug	1	U
___ 0009	2920-98-DAA-8767	LEAD, IGNITION, #4 number 4, dist to spark plug	1	U
___ 0010	2920-01-388-2541	LEAD,IGNITION, #5 number 5, dist to spark plug	1	U
___ 0011	2920-01-389-1090	LEAD, IGNITION, #6 number 6, dist to spark plug	1	U
___ 0012	2920-98-204-2998	LEAD, IGNITION, #7 number 7, dist to spark plug	1	U
___ 0013	2920-01-390-5055	LEAD,IGNITION, #8 number 8, dist to spark plug	1	U
___ 0014	2920-01-388-1984	LEAD,IGNITION, COIL coil to dist	1	U
___ 0015	2920-01-388-2612	LEAD,IGNITION, COMPLETE SET 8 cylinder ignition wire set w 18-in coi	1	U
___ 0016	2920-00-234-2338	SPARK PLUG f/LR	8	U



TEXT

0040 ZPM1 R00000075 10008-1J8 ALTERNATOR (V8)

ITEM	NSN	DESCRIPTION	QTY	GOR
0000		10008-1J8	1	
0001	2920-66-095-0364	GENERATOR,ENGINE ACCESSORY:28V DC,100 A 100A 28V dc	1	U
0002	5306-66-095-8037	BOLT,INTERNAL WRENCHING:ISO M,STEEL ALLO	1	U
0003	3110-66-095-0369	PLATE,RETAINING,BEARING:PLATE,RETAINING,	2	F
0004	5325-66-095-0368	RING,RETAINING:ST,23.5MM ID,25.25MM OD,1	3	F
0005	3110-00-109-1155	BEARING,BALL,ANNULA sgl row, fully sealed 25 x 52 x 15mm	2	F
0006	5305-99-122-3380	SCREW,SOCKET HEAD, M4 x 25, 12.9 str gr	3	F
0007	5310-66-095-8033	WASHER,FLAT:STEEL,CAD PLATED & PASSIVATE stl, cd pld, 10.5mm id, 30mm od, 5mm thk	1	F
0008	2920-66-095-0370	END BELL,ELECTRICAL ROTATING EQUIPMENT:E	1	F
0009	5306-66-095-8036	BOLT,INTERNAL WRENCHING:ISO M,STEEL ALLO	4	F
0010	2920-66-095-0365	STATOR,ENG.GENE "E"ATOR:6 WIRE LEAD TERM	1	B
0011	2920-66-095-0366	ROTOR,GENERATOR:ROTOR,GENERATOR	1	F
0012	5305-12-151-0668	SCREW,MACHINE:SPEC/DATA DIN84,INTERIM MA M5 x 75, 4.8	4	F
0013	5310-66-037-2591	WASHER,LOCK:STEEL,SHAKEPROOF,CAD PLATED; stl, cd pld, int teeth, 5mm scr size	7	F
0014	5305-99-135-0589	SCREW,MACHINE	4	F
0015	5310-66-034-5612	WASHER,LOCK:PHOSPHOR BRONZE,SHAKEPROOF,C	3	F
0016	2920-66-095-0367	PLATE,COVER,GENERATOR:PLATE,COVER,GENERA	1	F
0017	9999-98-ASC-0002	NOT PROVIDED (END BELL, HEAT SINK ASSY, REFER TO FRAM	1	F
0018	5306-66-095-8035	BOLT,INTERNAL WRENCHING:ISO M,STEEL ALLO	3	F
0019	6105-66-095-0371	IMPELLER,FAN,AXIAL:ALUMINIUM,159.9-161.1	1	F
0020	3020-98-107-2317	PULLEY,GROOVE:51.2MM NOM FACE W,PLAIN ST	1	U

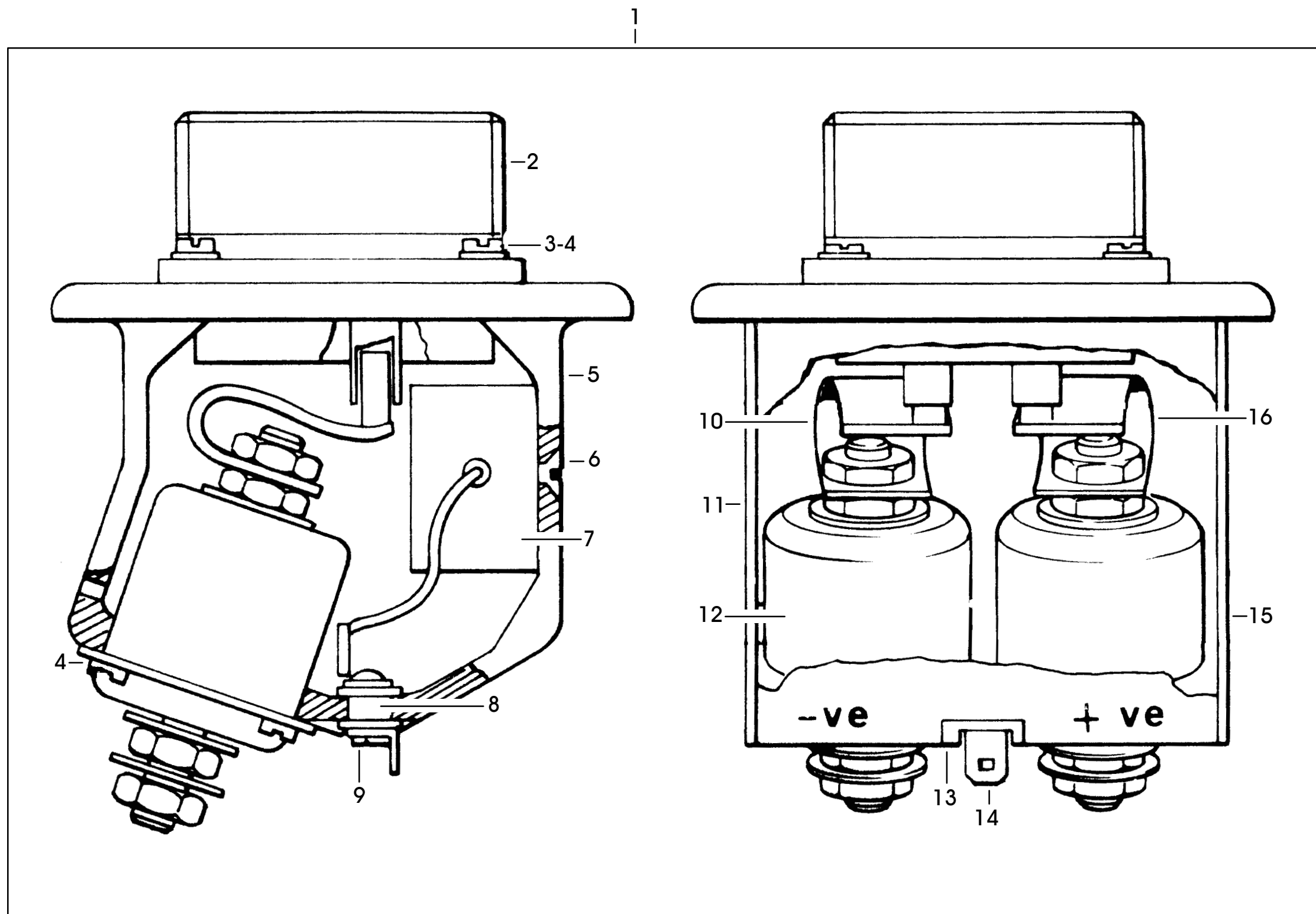


TEXT

___ 0041 ZPM1 R00000090 10008-1L8 END BELL/ HEATSINK ASSY (V8)

ITEM	NSN	DESCRIPTION	QTY	GOR
___ 0000		10008-1L8	1	
___ 0001	2920-66-096-4323	HEAT SINK,ELECTRICAL-ELECTRONIC COMPONENT end bell, elec rotating eqpt	1	F
___ 0002	5315-66-095-8038	PIN,SPRING:STEEL,CAD PLATED,2MM OD,10MM stl, cd pld, 2mm od, 10mm lg, 0.460mm wa	1	F
___ 0003	5305-99-135-0591	SCREW,MACHINE	4	F
___ 0004	5310-66-029-0703	WASHER,LOCK:WASHER,LOCK,SPRING,STEEL,SIN	4	F
___ 0005	5961-00-007-3919	DIODE POSITIVE	6	B
___ 0006	5961-00-313-7313	DIODE NEGATIVE	3	B
___ 0007	5999-66-096-4324	HEAT SINK,ELECTRICAL-ELECTRONIC COMPONENT	3	B
___ 0008	5970-66-096-4325	INSULATOR,BUSHING:SHDR TYPE,5.2-5.3MM ID shldr type, 5.3mm id, 12.5mm od	12	B
___ 0009	5305-99-135-0606	SCREW,MACHINE	6	F
___ 0010	5310-99-122-3032	WASHER,FLAT:M5 5mm bolt size, 10mm od, 1mm thk, stl, zn	6	F
___ 0011	5310-66-029-0699	WASHER,LOCK. 5.4 x 8.7 x 1.2mm 5.4mm id	3	F
___ 0012	5305-99-135-0603	SCREW,MACHINE stl, fillhd, s/dr, cd pld, M5, 12mm lg	3	F
___ 0013	5915-66-096-4328	FILTER,DIRECT CURRENT POWER:FILTER DC PW btry pk (REFER TO FRAME 1M8 ITEM 1)	1	F
___ 0014	2920-66-095-0372	REGULATOR,ENGINE GENERATOR:28V,TRANSISTO (REFER TO FRAME 2K11 ITEM 1)	1	F

1M8 FILTER ASSEMBLY



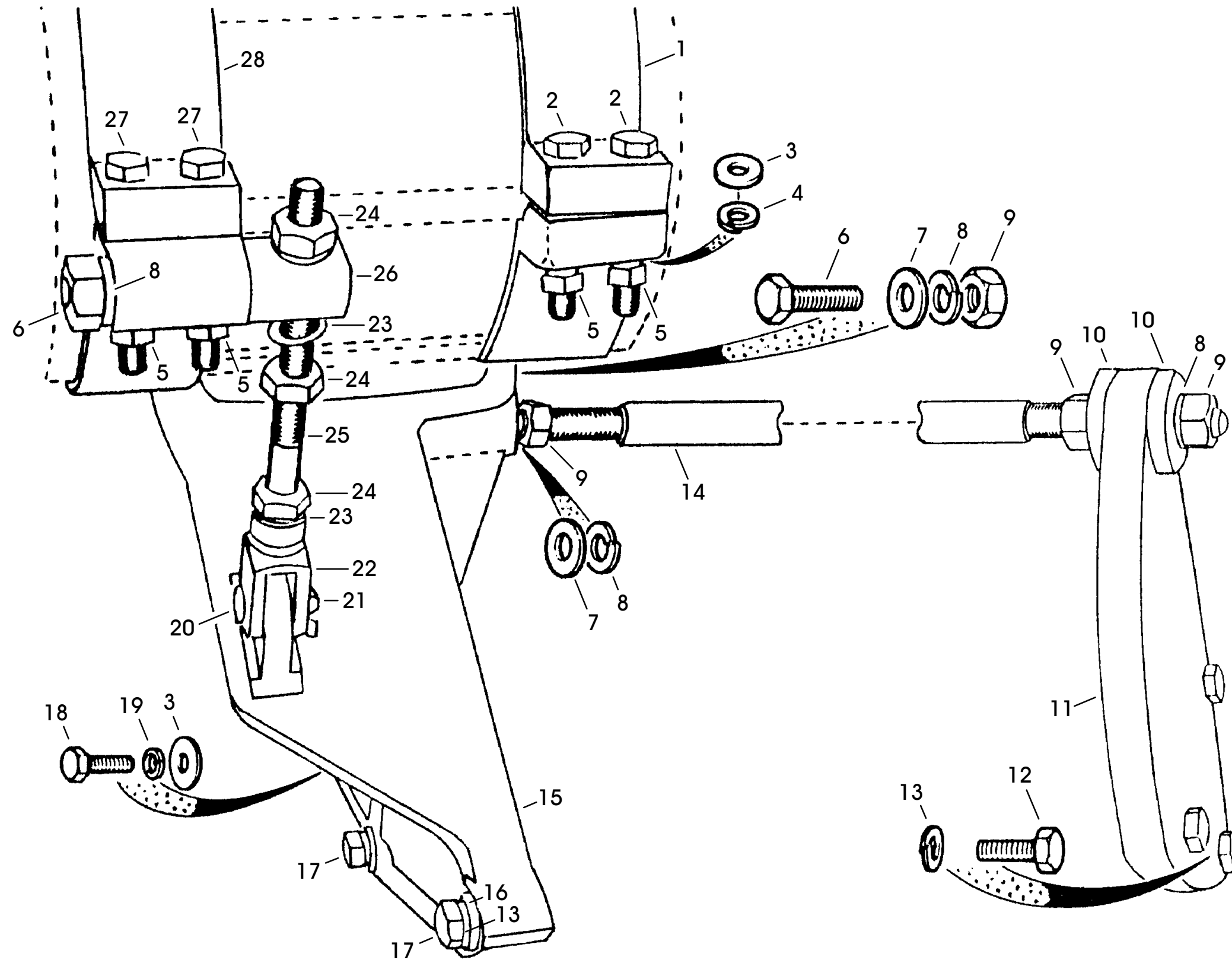
ITEM(S) NOT ILLUSTRATED

17 - 21

TEXT

0042 ZPM1 R00000105 10008-1N8 FILTER ASSEMBLY (V8)

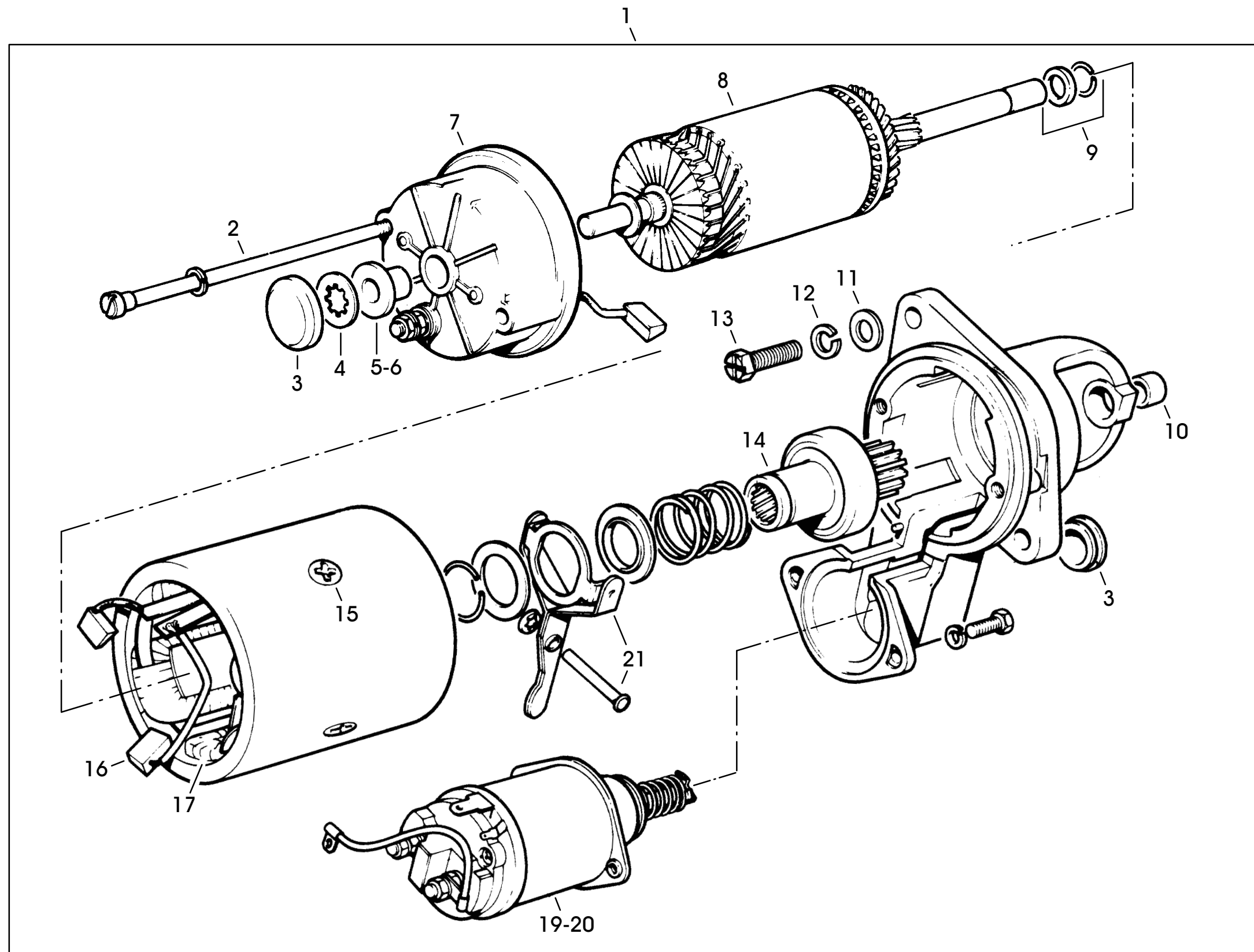
ITEM	NSN	DESCRIPTION	QTY	GOR
0000		10008-1N8	1	
0001	5915-66-096-4328	FILTER,DIRECT CURRENT POWER:FILTER DC PW btry pk	1	F
0002	5935-01-155-1203	CONNECTOR, RECEPTAC 1.937-in max lg, 1.969-in min and 2.031-	1	F
0003	5305-99-135-0590	SCREW,MACHINE	12	F
0004	9999-98-ASC-0002	NOT PROVIDED (WASHER, FLAT, 3mm id, stil, cad pld)	4	F
0005	5915-66-096-4362	HOUSING,ELECTRICAL:HOUSING,ELECTRICAL FI	1	B
0006	5305-99-135-0484	SCREW,MACHINE M3 x 6, stil, fl csk hd, slot dr, cd pld	10	B
0007	5915-66-096-4363	FILTER,RADIO FREQUENCY INTERFERANCE	1	B
0008	5970-66-096-4364	INSULATOR,BUSHING:SHDR TYPE,3.2-3.4MM ID shldr type, 3.4mm id, 12.5mm od, 7mm shk	1	B
0009	5320-66-095-8039	RIVET,TUBULAR:BRASS,3MMX14MM LG brs, 3mm dia, 14mm lg	1	B
0010	6150-66-096-4369	BUS, CONDUCTOR:	1	B
0011	2920-66-095-0374	COVER,GENERATOR,FILTER:COVER,GENERATOR,F lh	1	B
0012	5910-66-096-4368	CAPACITOR,FIXED,ELECTROLYTIC:UF 4,30V 4uF, 30V	2	B
0013	5970-66-096-4365	INSULATOR,PLATE:RECT,STEPPED,O/A DIMS 11 rect stpd, 12.3mm o/a lg, 10.8mm o/a w,	1	B
0014	5940-66-096-4372	TERMINAL,LUG:O/A DIMS 7.9MM HX5.6MM LGX6	2	B
0015	2920-66-095-0375	COVER,GENERATOR,FILTER:COVER,GENERATOR,F rh	1	B
0016	6150-66-118-5777	BUS, CONDUCTOR	1	B
0017	5935-00-879-9554	CONNECTOR,PLUG,ELEC 6 male contacts, qty 3 at 22A rtg, qty 3	1	B
0018	5365-00-141-6943	BUSHING,RUBBER	1	B
0019	5935-00-280-2353	ADAPTER,CABLE CLAMP met, 0.531-in lg, 1.656-in w, 1.687-in h	1	B
0020	5935-01-151-1226	CONNECTOR,PLUG,ELECTRICAL u/o V8 (use NSN 59350-825-7282 while stocks l	1	B
0021	5940-99-805-0220	SOCKET,ELECTRICAL:FREE FEMALE SHELL,STRA	1	B



TEXT

0043 ZPM1 R00000016 10008-1B9 ALTERNATOR MOUNTINGS (V8)

ITEM	NSN	DESCRIPTION	QTY	GOR
0000		10008-1B9	1	
0001	2920-99-796-6083	CLAMP, RIM CLENCHING; ALTERNATOR STRAP. (REAR, NON ADJUSTABLE)	1	F
0002	5305-99-122-5256	BOLT,MACHINE	2	F
0003	5310-99-122-6475	WASHER,FLAT, 0.312-in SIDEPOST 0.312-in id, zn pld	1	F
0004	5310-99-137-9231	WASHER, LOCK 8mm nom id, 2mm thk, sp hlcl ring, stl,	4	F
0005	5310-99-122-5296	NUT,PLAIN,HEXAGON M8 - 1.25p, stl, zn pld, 8.8	4	F
0006	5306-99-122-2788	BOLT,MACHINE hex hd, stl, zn pld, ISO m, 12mm dia, 1.	2	F
0007	5310-99-122-6477	WASHER,FLAT:13MM MIN,13.4MM MAX ID	3	F
0008	5310-99-138-9229	WASHER,LOCK stl, zn pld, sp hel ring, 12mm id, 17.9m	6	F
0009	5310-99-122-5298	NUT,PLAIN,HEXAGON: M12, 1.75p stl, zn pld, ISO metric, 12mm, 1.75mm pi	6	F
0010	5310-99-138-0364	WASHER,FLAT	2	F
0011	2510-99-796-6089	BRACKET, TIE BAR, R	1	F
0012	5306-99-941-1552	BOLT,MACHINE hex hd, steel zinc pld, 0.375-in 16 UNC,	3	F
0013	5310-99-941-6656	WASHER,LOCK:0.398IN.NOM ID,0.59IN.NOM OD stl, sp hlcl ring, 0.375-in nom bolt siz	3	F
0014	5306-99-796-6091	ROD,THREADED END	1	F
0015	5340-99-796-6081	BRACKET,POWER GENERATOR	1	F
0016	5310-99-122-6476	WASHER,FLAT,10mm id,21mm od,2mm thk 10mm id, 21mm od, stl, zn pld	2	F
0017	5306-99-941-1554	BOLT,MACHINE:UNC,0.375-16,2A,STEEL ZINC UNC, 0.375 - 16, 2A stl, zn pld, 1-in th	2	F
0018	5306-99-941-1540	BOLT,MACHINE,UNC,0.312-18,2A,ST,ZINC PLD UNC, 0.312-in, zn pld, 2-in lg	1	F
0019	5310-99-941-6655	WASHER,LOCK,0.335-in id,0.503-in od,0.07 0.335-in id, 0.503-in od, 0.078-in thk s	1	F
0020	5315-99-751-8500	PIN,GROOVED,HEADED:STEEL O/A,9.89-10.0MM	1	U
0021	5340-99-209-9337	CLIP,SAFETY	1	U
0022	5340-99-751-8489	FORK END	1	F
0023	5310-99-138-9228	WASHER, LOCK, M10 x 16 x 2.5mm 10mm id, 15.9mm od, 2.5mm thk, stl, sp h	3	F
0024	5310-99-122-5297	NUT,PLAIN,HEXAGON M stl, zn pld, ISO metric, 10mm, 1.5mm p	3	F
0025	5307-99-796-6084	STUD,PLAIN	1	F
0026	2805-99-796-6090	ADJUSTING BLOCK	1	F
0027	5305-99-122-5258	BOLT,MACHINE	2	F
0028	2920-99-796-6082	CLAMP, RIM CLENCHING;ALTERNATOR STRAP, F (FRONT, ADJUSTABLE)	1	F



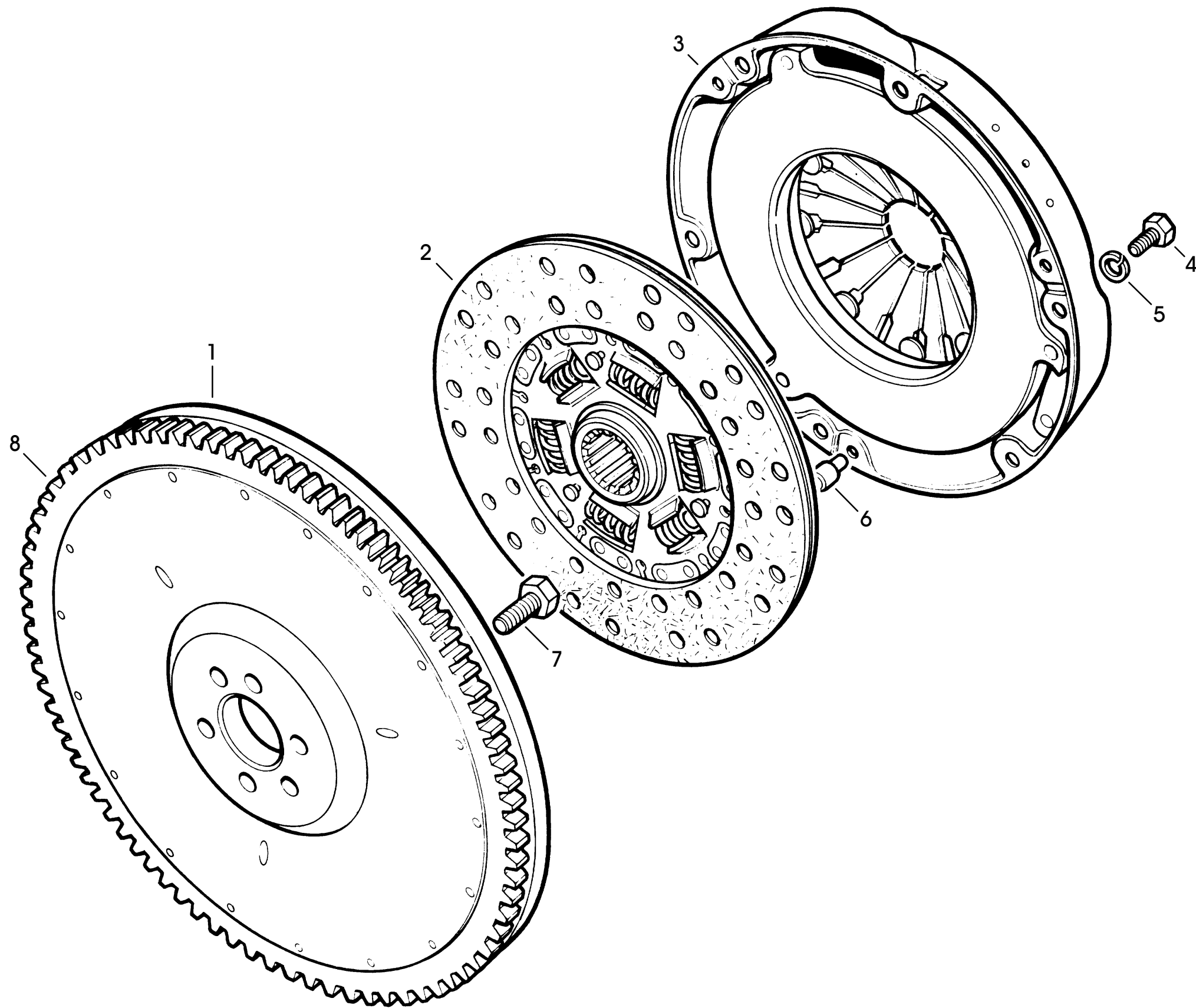
ITEM(S) NOT ILLUSTRATED

18, 22-29

TEXT

0044 ZPM1 R0000031 10008-1D9 STARTER MOTOR (V8)

ITEM	NSN	DESCRIPTION	QTY	GOR
0000		10008-1D9	1	
0001	2920-99-823-6020	STARTER,ENGINE,ELEC	1	U
0002	9999-98-ASC-0002	NOT PROVIDED (THROUGH BOLT)	2	F
0003	5330-98-856-0446	SEAL KIT:P/O V8 109IN.LANDROVER,MFR U103 (C/O CUP WASHER, GROMMET, SHROUD CAP, OI	1	F
0004	5310-99-209-6703	WASHER,LOCK	1	F
0005	2925-99-796-5379	BUSH,STARTER MOTOR	1	F
0006	2920-99-206-2018	BUSH KIT (C/O ITEMS 5 AND 10)	1	F
0007	2920-99-827-9588	PARTS KIT,ELECTRICA: S/S TO 99-820-3999 (END COVER, C/O ITEM 5) (WSE USE ITEM 18	1	F
0008	2920-99-722-6301	ARMATURE (PREVIOUS NSN 2920-98-856-3700)	1	F
0009	2920-99-207-5985	DRIVE RETENTION	1	F
0010	9999-98-ASC-0002	NOT PROVIDED (BUSH, USE ITEM 6)	1	F
0011	5310-99-122-6476	WASHER,FLAT,10mm id,21mm od,2mm thk 10mm id, 21mm od, stl, zn pld	2	U
0012	5310-99-941-6656	WASHER,LOCK:0.398IN.NOM ID,0.59IN.NOM OD stl, sp hlcl ring, 0.375-in nom bolt siz	2	U
0013	5305-99-127-6010	SCREW,SOCKET HEAD:UNC,0.375-16,2A CL THD UNC, stl, ffilh, zn pld, 0.375 x 0.500-i	2	U
0014	2925-99-796-7533	DRIVE,KIT	1	F
0015	9999-98-ASC-0002	NOT PROVIDED (POLE SCREW, USE ITEM 18)	4	F
0016	2920-99-822-6045	BRUSH SET,STARTER M	1	F
0017	5950-98-203-8646	COIL ASSEMBLY, ELECTRICAL	1	F
0018	2920-99-820-3999	PARTS KIT,ELECTRICA (C/O ITEMS 15, 22-25)	1	F
0019	2920-99-823-5593	SOLENOID,ELECTRICAL	1	F
0020	2920-99-823-5594	PARTS KIT,SOLENOID	1	F
0021	2920-99-822-9555	PARTS KIT, ENGINE STARTER	1	F
0022	9999-98-ASC-0002	NOT PROVIDED (THRUST WASHER, USE ITEM 18)	2	F
0023	9999-98-ASC-0002	NOT PROVIDED (RETAINING RING, USE ITEM 18)	1	F
0024	9999-98-ASC-0002	NOT PROVIDED (NUTS, USE ITEM 18)	4	F
0025	9999-98-ASC-0002	NOT PROVIDED (BRUSH SPRING, USE ITEM 18)	4	F
0026	2590-99-820-7563	LEAD,ELECTRICAL	1	U
0027	5305-99-941-0525	SCREW,MACHINE:UNF,ST,ZINC PLD,HEX HD,5/1 stl, zn pld, hex hd, 0.312-in 24UNF, 0.7	1	U
0028	5310-99-122-6475	WASHER,FLAT, 0.312-in SIDEPOST 0.312-in id, zn pld	1	U
0029	5310-99-941-3525	NUT,SELF-LOCKING,HEX,UNF 0.312-in,nyl in stl, UNF, nyl insr 0.312-in	1	U



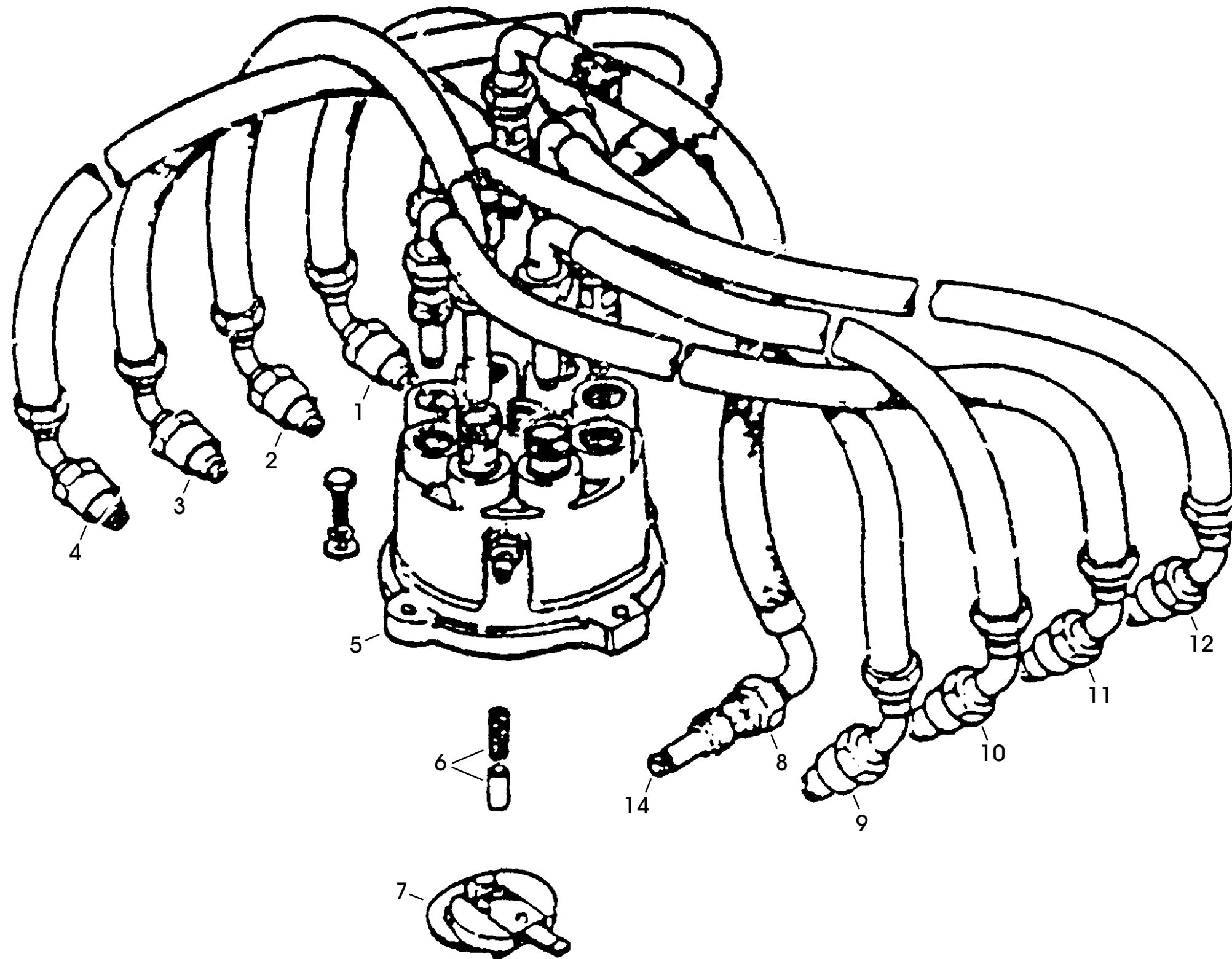
TEXT

___ 0045 ZPM1 R00000045 10008-1F9 FLYWHEEL & CLUTCH (V8)

ITEM	NSN	DESCRIPTION	QTY	GOR
___ 0000		10008-1F9	1	
___ 0001	2805-99-824-1585	FLYWHEEL,ENGINE	1	F
___ 0002	2520-66-138-3922	DISK,CLUTCH:U/O V8 8 SPRING HUB V8	1	F
___ 0003	2520-99-822-1748	PLATE,PRESSURE,*E* FRICTION	1	F
___ 0004	5305-99-941-0539	SCREW,HEX HEAD,UNF 0.375-in,0.75-in lg, UNF, S stl, hex hd, zn pld, 0.375 x 0.75	6	F
___ 0005	5310-99-941-6656	WASHER,LOCK:0.398IN.NOM ID,0.59IN.NOM OD stl, sp hlcl ring, 0.375-in nom bolt siz	6	F
___ 0006	5315-99-850-0027	PIN,SHOULDER,HEADLESS:0.3115-0.3125IN.SH	3	F
___ 0007	5305-99-941-0555	SCREW,HEX HEAD,UNF 0.438-in,1-in lg,stl, UNF - 0.437-in, 1-in lg, S stl, zn pld	6	F
___ 0008	2990-99-822-1877	RING,STARTER,ENGINE	1	F

0046 ZPM1 R0000061 10008-1H9 DISTRIBUTOR BODY, OLD SYS (V8)

ITEM	NSN	DESCRIPTION	QTY	GOR
0000		10008-1H9	1	
0001	2920-99-796-6092	DISTRIBUTOR,IGN SET,NFP REF DSUPA/PCJ	1	U
0002	2920-99-823-6017	CONTACT SET,DISTRIB	2	U
0003	5910-99-823-6018	CAPACITOR, CLIP AND LEAD ASSEMBLY	1	U
0004	2920-99-796-5404	O-RING	1	U
0005	5306-99-941-1552	BOLT,MACHINE hex hd, steel zinc pld, 0.375-in 16 UNC,	1	U
0006	5999-99-824-3837	PLATE,MOUNTING,ELEC	1	U
0007	5330-99-822-2422	R1NG,SEAL1NG,TORO1D	1	U
0008	5315-98-108-2048	PIN, SPRING:	1	U
0009	3020-99-829-9521	GEAR,HELICAL DISTRIBUTOR	1	U
0010	2520-99-796-5405	LOW TENSION LEAD:** NFP POST NO DUES** (COIL TO DISTRIBUTOR)	1	U
0011	3120-99-806-4002	BEARING,SLEEVE:BRONZE,BS 1131,ID 0.4916I brz, 0.491 x 0.626 x 0.817-in lg, lubt i	1	U



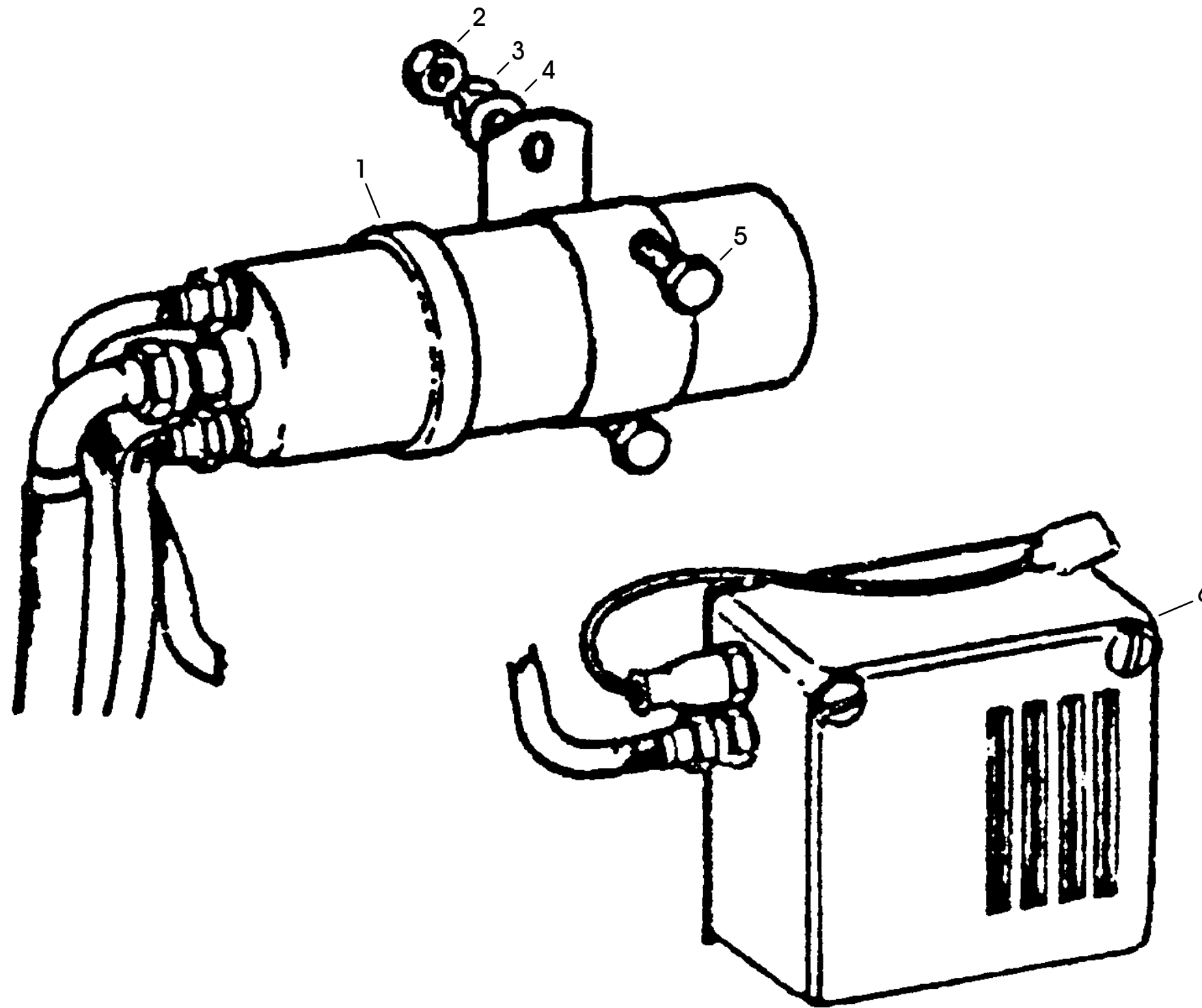
ITEM(S) NOT ILLUSTRATED

13, 15

TEXT

0047 ZPM1 R00000076 10008-1J9 DIST CAP & LEADS, OLD SYS (V8)

ITEM	NSN	DESCRIPTION	QTY	GOR
0000		10008-1J9	1	
0001	2920-99-767-4584	LEAD,V8 DISTRIB No8:**NFP DSUPA/PCJ** (No 8)	1	U
0002	2920-99-768-7606	LEAD,V8 DISTRIB No 6:**NFP RE DSUPA/REF (No 6)	1	U
0003	2920-99-766-9044	LEAD,V8 DISTRIB No 4:**NFP REF DSUPA/PCJ* (No 4)	1	U
0004	2920-99-825-0750	LEAD,V8 DISTRIB No 2:**NFP D SUPA/PCJ (ALSO No 2 LEAD ELECTRICAL)	2	U
0005	2920-99-823-6015	CAP,IGNITION DISTRI (INNER AND OUTER CAPS)	1	U
0006	5977-99-806-4008	BRUSH,ELECTRICAL CONTACT:CARBON,0.374IN. w/spr	1	U
0007	2920-99-823-6016	SPEED LIMITER:**NFP REF DSUPA/PCJ	1	U
0008	2920-99-766-9045	LEAD,V8 COIL:**NFP REF DSUPA/PCJ** (COIL TO DISTRIBUTOR)	1	U
0009	2920-99-766-8784	LEAD,V8 DISTRIB No 1. (No 1)	1	U
0010	2920-99-825-0751	LEAD,V8 DISTRIB No 3.**NFP DSUPA/PCJ** (No 3)	1	U
0011	2920-99-774-3418	LEAD,V8 DISTRIB No 5:**NFP DSUPA/PCJ** (No 5)	1	U
0012	2920-99-774-3417	LEAD,V8 DISTRIB No 7.**NFP DSUPA/PCJ** (No 7)	1	U
0013	2920-99-192-8690	PLUG,SPARKING use 00-234-2338 14mm, 0.750 in reach (0.030 IN GAP)	8	U
0014	5970-99-806-4030	INSULATOR,BOWL:CERAMIC,GLAZED FINISH,0.4 cer, glazed fin, 0.477-in od, 0.842-in l	8	U
0015	2920-98-200-3482	CAP,IGNITION DIST.:N.F.P. REF DSUPA/PCJ V8 Rover, 3.187-in dia, 2.125-in sgl elc (INNER)	1	U



ITEM(S) NOT ILLUSTRATED



___ 0048 ZPM1 R00000091 10008-1L9 IGN COIL/ FILTER, OLD SYS (V8)

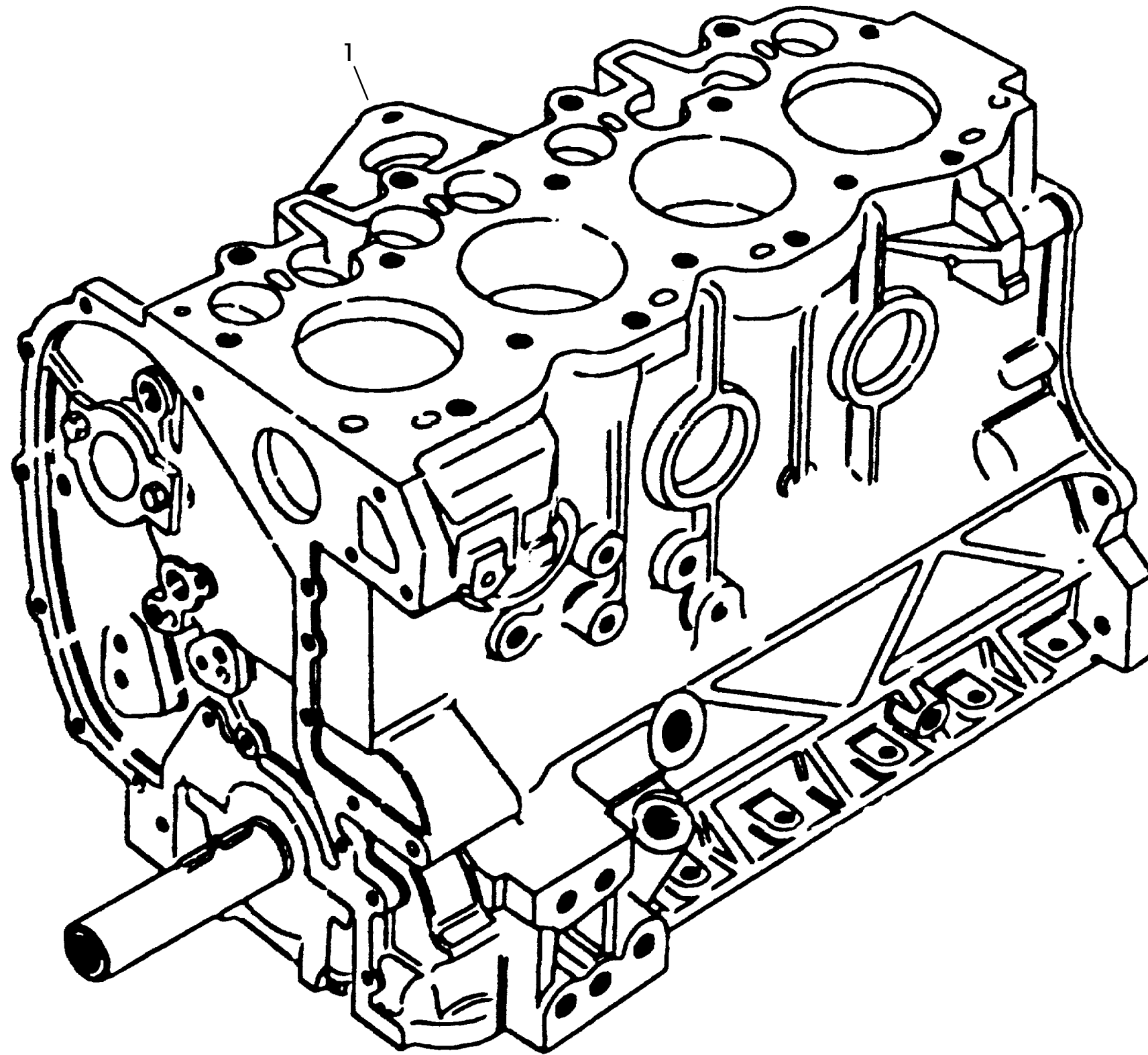
ITEM	NSN	DESCRIPTION	QTY	GOR
___ 0000		10008-1L9	1	
___ 0001	2920-99-806-6451	COIL,IGNITION **NFP REF DSUP/PCJ	1	U
___ 0002	5310-99-804-7941	NUT,PLAIN,HEXAGON:0.250-28 UNF UNF, 0.250-in, 0.438-in A/F, 0.218-in o/	2	U
___ 0003	5310-99-941-6654	WASHER,LOCK,0.250-in id,0.425-in od,0.07 stl, sp hlcl ring, 0.250-in blt size, 0.	2	U
___ 0004	5310-98-103-3814	WASHER, FLAT 0.250-in id, 0.562-in od, 0.031-in thk,	2	U
___ 0005	5305-99-941-0513	SCREW,MACHINE:UNF,0.25-28,2A,STEEL,ZINC UNF, stl, hex hd, zn pld, 0.250 x 0.750-	2	U
___ 0006	2540-99-825-5237	FILTER UNIT	1	U
___ 0007	2920-99-823-8356	BASEPLATE ASSEMBLY,	1	B
___ 0008	2540-99-820-8142	CLIP,SUPPORT BRACKE	1	F
___ 0009	5305-99-941-0525	SCREW,MACHINE:UNF,ST,ZINC PLD,HEX HD,5/1 stl, zn pld, hex hd, 0.312-in 24UNF, 0.7	4	F
___ 0010	5310-99-122-6475	WASHER,FLAT, 0.312-in SIDEPOST 0.312-in id, zn pld	4	F
___ 0011	5310-99-941-6655	WASHER,LOCK,0.335-in id,0.503-in od,0.07 0.335-in id, 0.503-in od, 0.078-in thk s	4	F
___ 0012	5310-99-941-0925	NUT,PLAIN,HEXAGON, UNF 0.312 UNF, 0.312-in, 0.500-in A/F, stl, zn pld	4	F

**THIS PAGE
LEFT BLANK
INTENTIONALLY**

|__ 0049 ZPM1 R00000001 10008-1B10 DIESEL ENGINE 300TDi

	ITEM	NSN	DESCRIPTION	QTY	GOR
	__ 0000		10008-1A10	1	
	__ 0001	2815-99-257-9201	ENGINE,STRIPPED ASS 300TDI (Engine less ancillary equipment)	1	F

1C10 ENGINE SHORT ASSEMBLY (300 TDi)

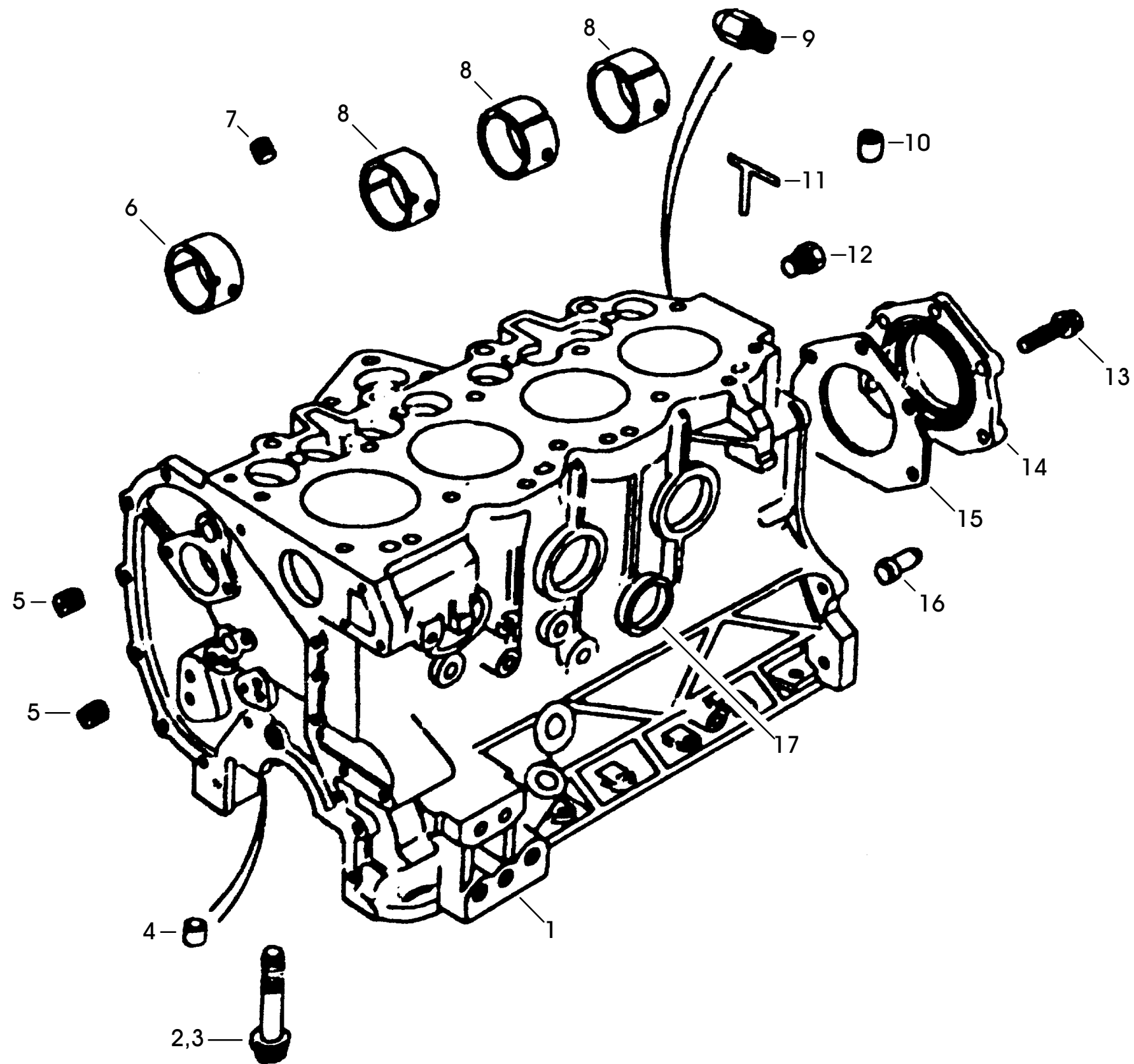


TEXT

|__ 0050 ZPM1 R00000017 10008-1D10 ENGINE SHORT ASSY (300TD)

	ITEM	NSN	DESCRIPTION	QTY	GOR
	__ 0000		10008-1D10	1	
	__ 0001	9999-98-ASC-0002	NOT PROVIDED (Engine Short Assembly, U1030, STC1675)	1	F

1E10 CYLINDER BLOCK (300TDi)

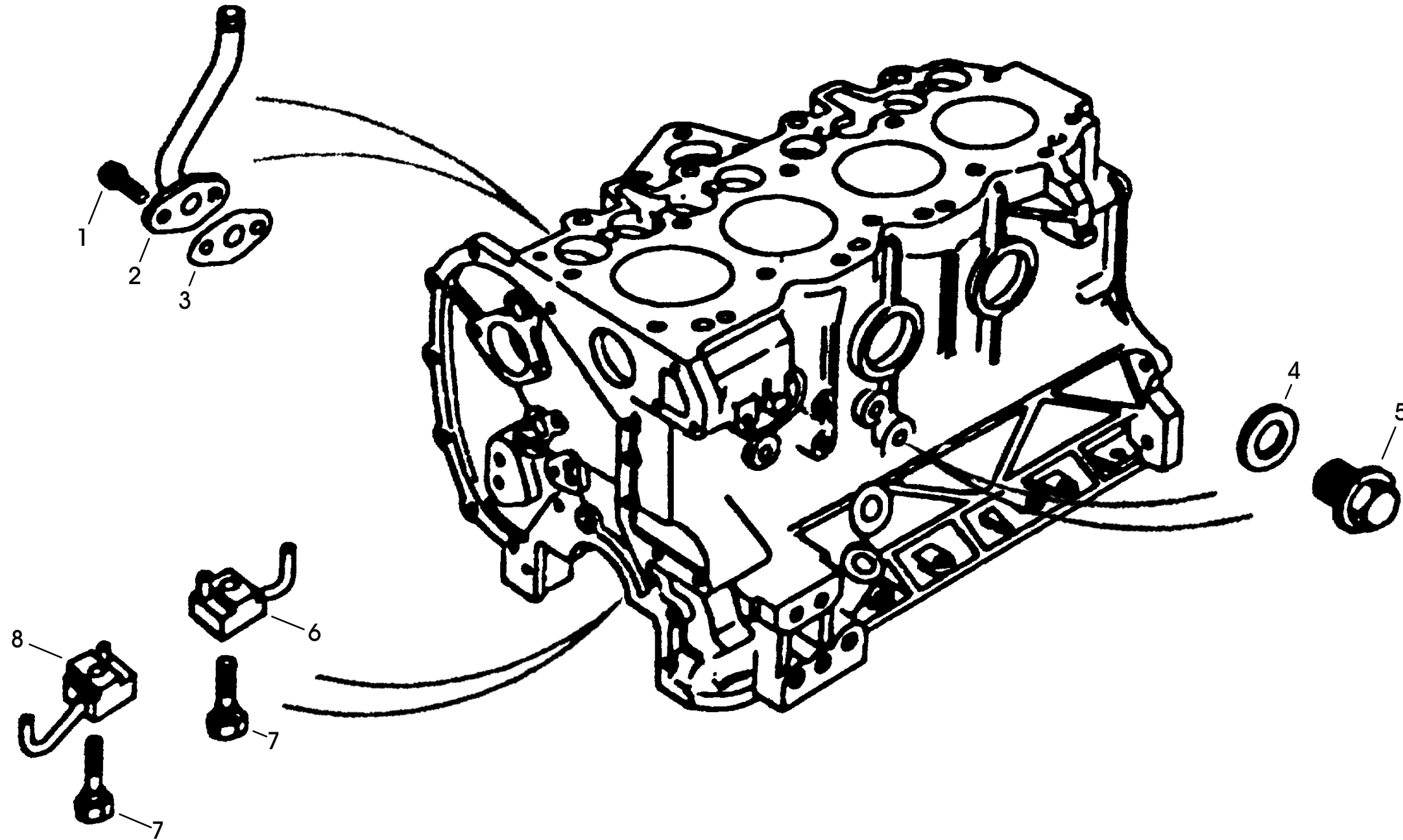


TEXT

0051 ZPM1 R00000032 10008-1F10 CYLINDER BLOCK (300TD)

ITEM	NSN	DESCRIPTION	QTY	GOR
0000		10008-1F10	1	
0001	9999-98-ASC-0002	NOT PROVIDED (Cylinder Block Assembly, U1030, ERR1919)	1	F
0002	9999-98-ASC-0002	NOT PROVIDED (Bolt Bearing Cap, U1030, ETC8074)	8	F
0003	9999-98-ASC-0002	NOT PROVIDED (Bolt Bearing Cap, U1030, ERR3419)	2	F
0004	9999-98-ASC-0002	NOT PROVIDED (Dowel Bearing Caps, U1030, 501593)	10	F
0005	9999-98-ASC-0002	NOT PROVIDED (Plug Oil Gallery, U1030, 247127)	2	F
0006	9999-98-ASC-0002	NOT PROVIDED (Bearing Cam, U1030, ETC8442)	1	F
0007	9999-98-ASC-0002	NOT PROVIDED (Plug Camshaft Oil Feed, U1030, ERR5034)	3	F
0008	9999-98-ASC-0002	NOT PROVIDED (Bearing Cam, U1030, 90519055)	3	F
0009	9999-98-ASC-0002	NOT PROVIDED (Jet Oil Camshaft, U1030, ERR2767)	1	F
0010	9999-98-ASC-0002	NOT PROVIDED (Ring Dowel Head/Block, U1030, ETC8352)	2	F
0011	9999-98-ASC-0002	NOT PROVIDED (Packing Strip, U1030, ERR913)	2	F
0012	9999-98-ASC-0002	NOT PROVIDED (Plug Gallery Pipe, U1030, ETC4922)	2	F
0013	9999-98-ASC-0002	NOT PROVIDED (Screw Flange M8x25, U1030, FS108251L)	5	F
0014	5330-99-549-7579	SEAL,CRANKSHAFT	1	F
0015	5330-99-517-8800	GASKET	1	F
0016	9999-98-ASC-0002	NOT PROVIDED (Dowel Flywheel Housing, U1030, FRC2482)	2	F
0017	9999-98-ASC-0002	NOT PROVIDED (Cup Plug, U1030, ERC4996)	6	F

1G10 JET ADAPTORS (300 TDi)



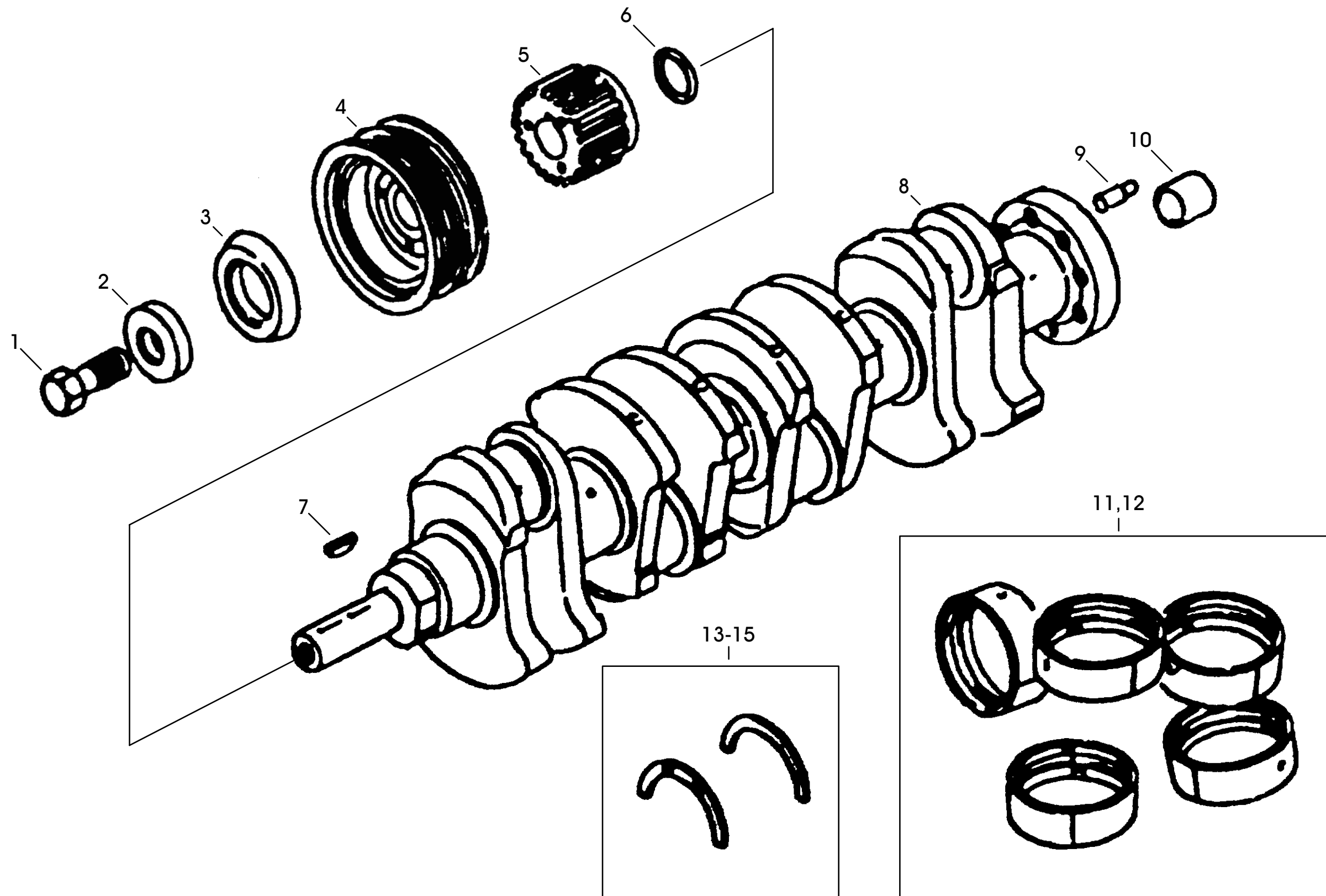
TEXT

___ 0052 ZPM1 R00000046 10008-1H10 JET ADAPTORS (300TD)

ITEM	NSN	DESCRIPTION	QTY	GOR
___ 0000		10008-1H10	1	
___ 0001	9999-98-ASC-0002	NOT PROVIDED (Screw Flange, U1030, FS108201)	2	F
___ 0002	9999-98-ASC-0002	NOT PROVIDED (Pipe Oil Drain, U1030, ERR1094)	1	F
___ 0003	9999-98-ASC-0002	NOT PROVIDED (Gasket Drain Pipe, U1030, ERR1653)	1	F
___ 0004	9999-98-ASC-0002	NOT PROVIDED (Washer Joint, U1030, AFU1882L)	1	F
___ 0005	9999-98-ASC-0002	NOT PROVIDED (Plug Drain, U1030, ERC9410)	1	F
___ 0006	9999-98-ASC-0002	NOT PROVIDED (Oil Jet Assy, No 2 and 4 Cyl, U1030, ET	2	F
___ 0007	9999-98-ASC-0002	NOT PROVIDED (Valve Relief, U1030, ETC5592)	4	F
___ 0008	9999-98-ASC-0002	NOT PROVIDED (Oil Jet Assy, No 1 and 3 Cyl, U1030, ET	2	F

1110

CRANKSHAFT (300 TDi)



TEXT

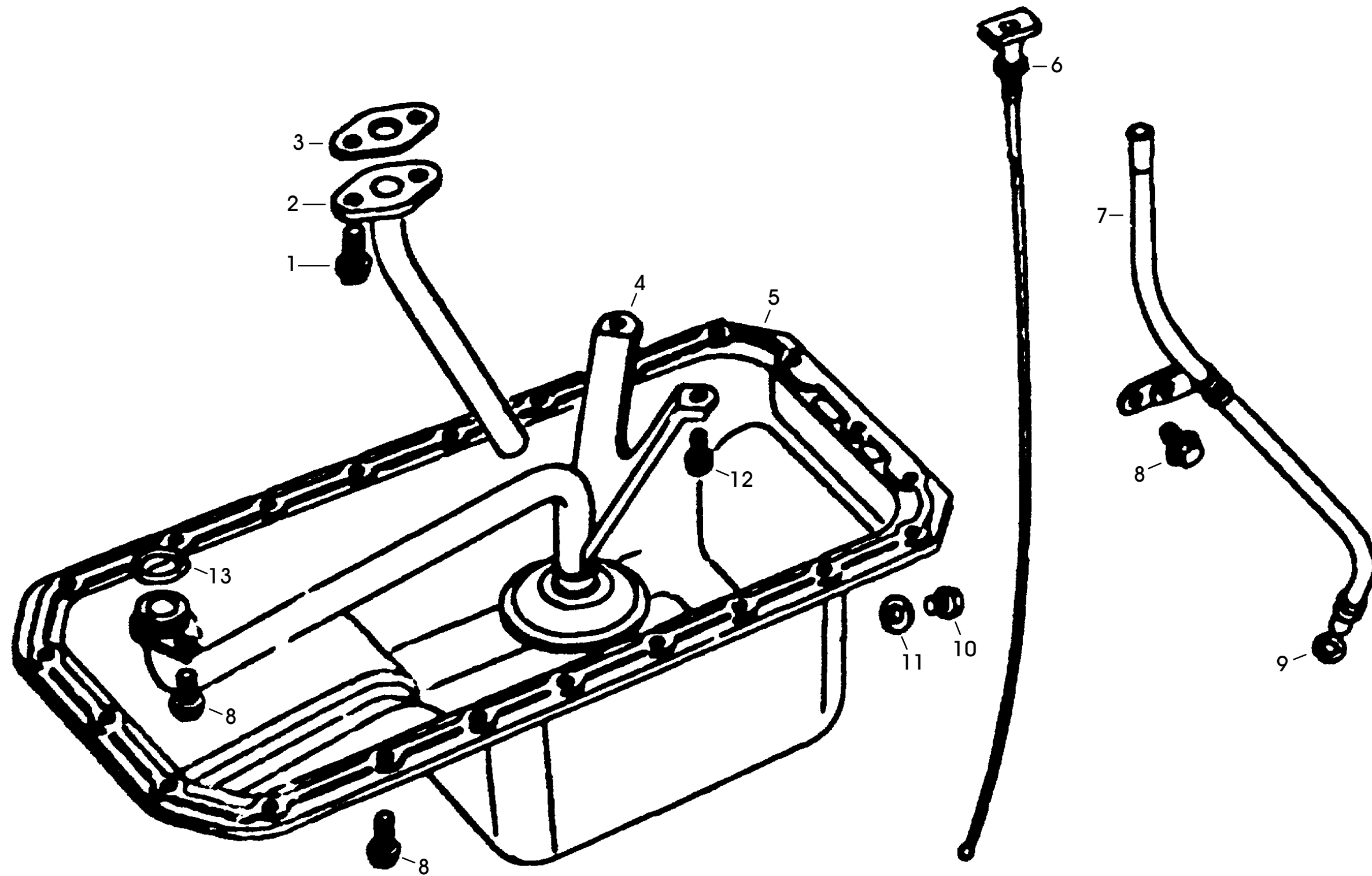
0053 ZPM1 R0000062 10008-1J10 CRANKSHAFT (300TD)

ITEM	NSN	DESCRIPTION	QTY	GOR
0000		10008-1J10	1	
0001	9999-98-ASC-0002	NOT PROVIDED (Bolt Crankshaft, U1030, ERR5087)	1	F
0002	9999-98-ASC-0002	NOT PROVIDED (Washer Thrust, U1030, ERR1564)	1	F
0003	9999-98-ASC-0002	NOT PROVIDED (Flinger, U1030, ERR2100)	1	F
0004	9999-98-ASC-0002	NOT PROVIDED (Damper, U1030, ERR2220)	1	F
0005	9999-98-ASC-0002	NOT PROVIDED (Pulley Crankshaft Timing, U1030, ERR470)	1	F
0006	9999-98-ASC-0002	NOT PROVIDED (O Ring, U1030, ERR4710)	1	F
0007	9999-98-ASC-0002	NOT PROVIDED (Key, U1030, ERR3987)	2	F
0008	9999-98-ASC-0002	NOT PROVIDED (Crankshaft, U1030, ERR2112)	1	F
0009	9999-98-ASC-0002	NOT PROVIDED (Dowel, U1030, ERR1630)	1	F
0010	3120-99-850-0035	BEARING,SLEEVE:BRONZE,OILITE,0.8785IN.MA copper alloy, u/o LR diesel engine	1	F
0011	9999-98-ASC-0002	NOT PROVIDED (Bearing Kit Main, Standard, U1030, RTC4)	1	F
0012	9999-98-ASC-0002	NOT PROVIDED (Bearing Kit Main, 0.010 U/S, U1030, RTC)	1	F
0013	9999-98-ASC-0002	NOT PROVIDED (Kit Thrust Washer Pairs, Standard, U103)	1	F
0014	9999-98-ASC-0002	NOT PROVIDED (Kit Thrust Washer Pairs, 0.0025 Oversiz)	1	F
0015	9999-98-ASC-0002	NOT PROVIDED (Kit Thrust Washer Pairs, 0.0050 Oversiz)	1	F

___ 0054 ZPM1 R00000077 10008-1L10 PISTON & RINGS (300TDi)

ITEM	NSN	DESCRIPTION	QTY	GOR
___ 0000		10008-1L10	1	
___ 0001	9999-98-ASC-0002	NOT PROVIDED (Circlip, U1030, 266945)	8	F
___ 0002	9999-98-ASC-0002	NOT PROVIDED (Gudgeon Pin, U1030, ERR703)	4	F
___ 0003	9999-98-ASC-0002	NOT PROVIDED (Piston Assembly Standard, U1030, ERR241)	4	F
___ 0004	9999-98-ASC-0002	NOT PROVIDED (Kit Piston Rings, U1030, SIC958)	4	F
___ 0005	9999-98-ASC-0002	NOT PROVIDED (Connecting Rod Assembly, U1030, ERR2418)	4	F
___ 0006	9999-98-ASC-0002	NOT PROVIDED (Bush, U1030, ERR2419)	4	F
___ 0007	9999-98-ASC-0002	NOT PROVIDED (Bolt, U1030, ETC7357)	8	F
___ 0008	9999-98-ASC-0002	NOT PROVIDED (Nut, U1030, ETC8191)	8	F
___ 0009	9999-98-ASC-0002	NOT PROVIDED (Bearing Kit, Conn.Rod, Engine Set, Stan	1	F
___ 0010	9999-98-ASC-0002	NOT PROVIDED (Bearing Kit, Conn.Rod, Engine Set, 0.01	1	F

1M10 SUMP (300 TDi)

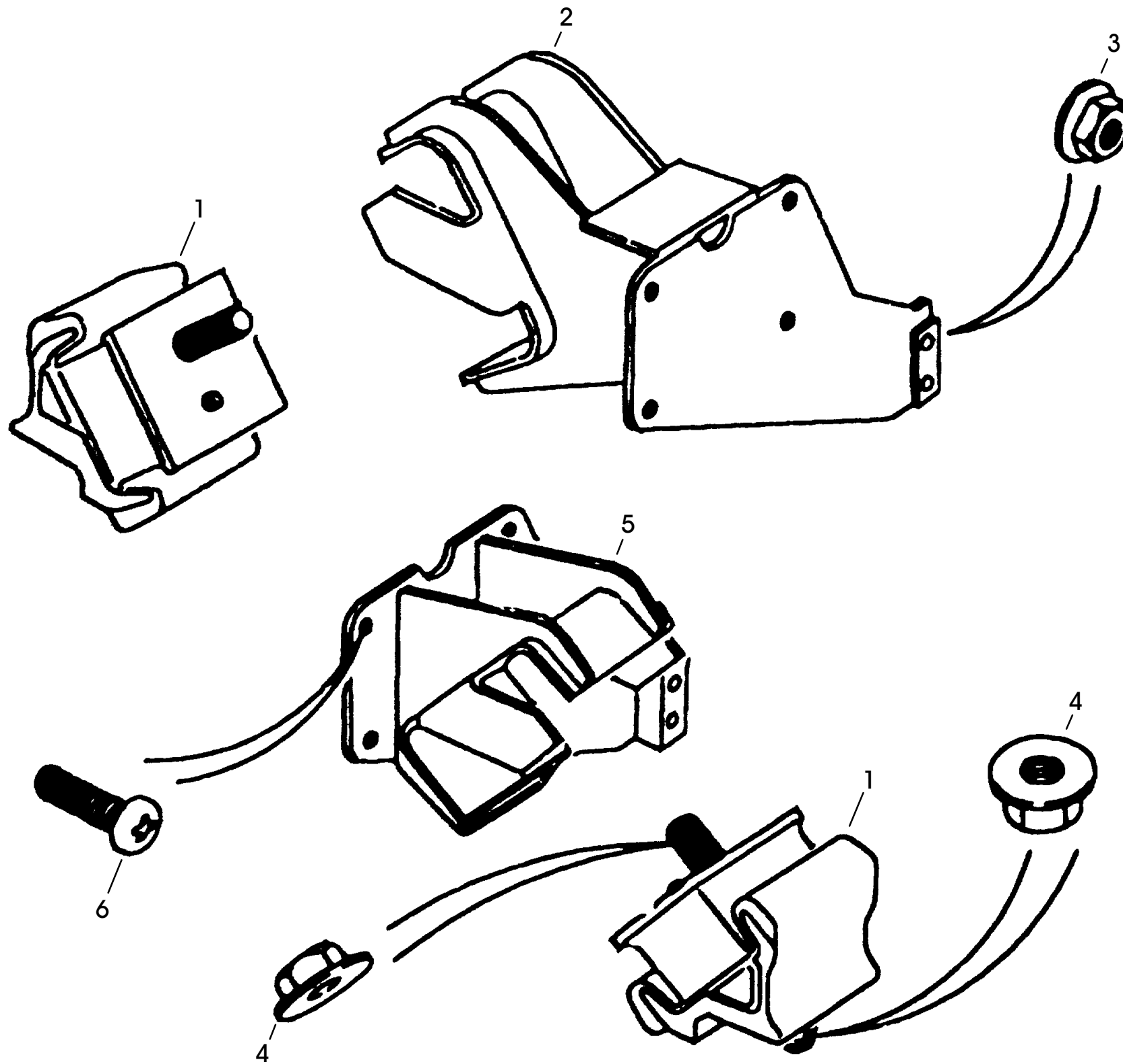


TEXT

___ 0055 ZPM1 R00000092 10008-1N10 SUMP (300TDi)

ITEM	NSN	DESCRIPTION	QTY	GOR
___ 0000		10008-1N10	1	
___ 0001	9999-98-ASC-0002	NOT PROVIDED (Screw Flange, U1030, FS108201)	2	F
___ 0002	9999-98-ASC-0002	NOT PROVIDED (Pipe Oil Drain, U1030, ERR3633)	1	F
___ 0003	9999-98-ASC-0002	NOT PROVIDED (Gasket, U1030, ERR1653)	1	F
___ 0004	9999-98-ASC-0002	NOT PROVIDED (Oil Pick Up Assembly, U1030, ERR3299)	1	F
___ 0005	2815-99-199-1098	OIL PAN	1	U
___ 0006	6680-99-356-7533	GAGE ROD, LIQUID LEVEL	1	U
___ 0007	9999-98-ASC-0002	NOT PROVIDED (Tube Dipstick, U1030, ERR4697)	1	F
___ 0008	9999-98-ASC-0002	NOT PROVIDED (Screw Flange, U1030, FS108161L)	24	F
___ 0009	9999-98-ASC-0002	NOT PROVIDED (Ring Sealing, U1030, ERR3683)	1	F
___ 0010	4730-99-301-0520	PLUG, PIPE u/o L/R 300TDi	1	O
___ 0011	9999-98-ASC-0002	NOT PROVIDED (Washer Joint, U1030, UAM2857L)	1	F
___ 0012	9999-98-ASC-0002	NOT PROVIDED (Screw Flange, U1030, FS106167)	2	F
___ 0013	9999-98-ASC-0002	NOT PROVIDED (O Ring, U1030, ERR3417)	1	F

1A11 ENGINE MOUNTINGS (300TDi)

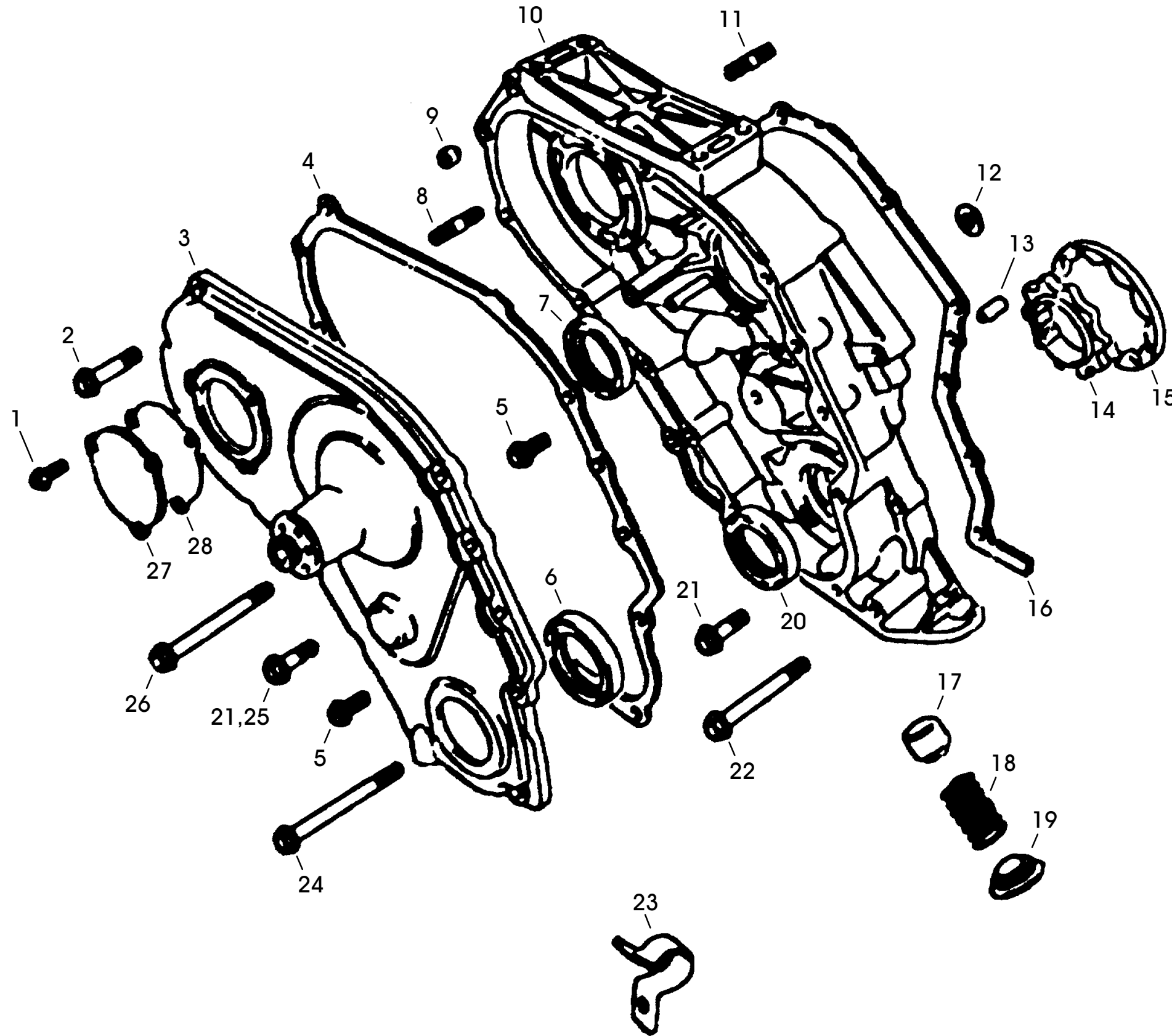


TEXT

___ 0056 ZPM1 R0000002 10008-1B11 ENGINE MOUNTINGS (300TDi)

ITEM	NSN	DESCRIPTION	QTY	GOR
___ 0000		10008-1B11	1	
___ 0001	9999-98-ASC-0002	NOT PROVIDED (Mounting Rubber, U1030, NTC9416)	2	F
___ 0002	9999-98-ASC-0002	NOT PROVIDED (Bracket Mounting R/H, U1030, ANR2868)	1	F
___ 0003	9999-98-ASC-0002	NOT PROVIDED (Nut Flanged M10, U1030, FX110041L)	2	F
___ 0004	9999-98-ASC-0002	NOT PROVIDED (Nut Flanged M12, U1030, FX112041L)	4	F
___ 0005	9999-98-ASC-0002	NOT PROVIDED (Bracket Mounting L/H, U1030, NTC9415)	1	F
___ 0006	9999-98-ASC-0002	NOT PROVIDED (Screw M12x20, U1030, SH112201)	8	F

1C11 FRONT COVER (300 TDi)

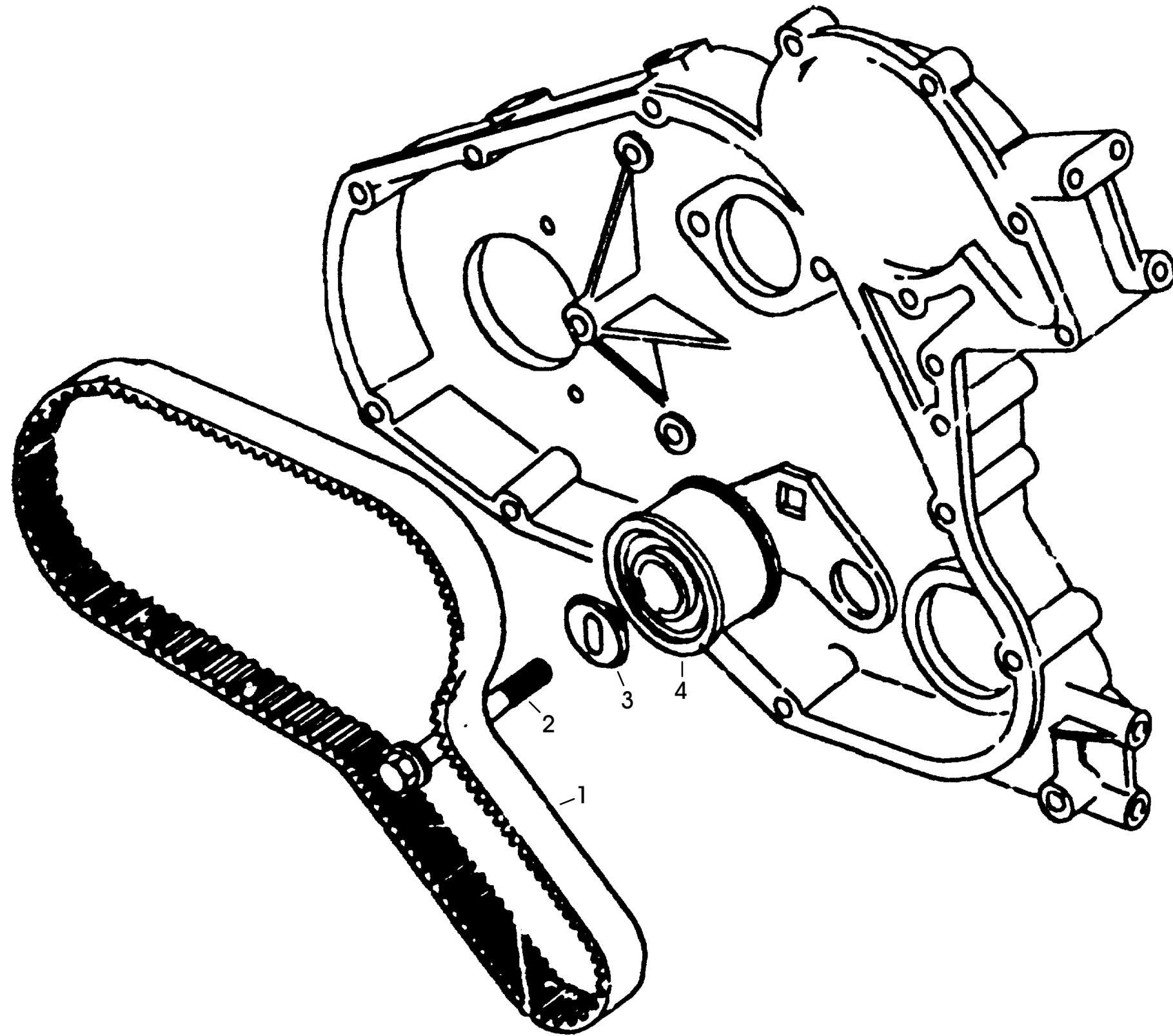


TEXT

0057 ZPM1 R00000018 10008-1D11 FRONT COVER (300TDi)

ITEM	NSN	DESCRIPTION	QTY	GOR
0000		10008-1D11	1	
0001	9999-98-ASC-0002	NOT PROVIDED (Screw Flange M8x12, U1030, FS108121)	3	F
0002	9999-98-ASC-0002	NOT PROVIDED (Bolt Flange M8x50, U1030, FB108101)	2	F
0003	9999-98-ASC-0002	NOT PROVIDED (Cover Front Engine, U1030, ERR4578)	1	F
0004	5330-99-428-5072	GASKET	1	F
0005	9999-98-ASC-0002	NOT PROVIDED (Screw Flange M8x25, U1030, FS108251L)	6	F
0006	5330-99-803-9431	SEAL, PLAIN ENCASED u/o L/R 300TDi crankshaft	1	F
0007	5330-99-446-3538	SEAL, PLAIN ENCASED u/o LR diesel eng camshaft	1	F
0008	9999-98-ASC-0002	NOT PROVIDED (Stud, U1030, TE110051L)	1	F
0009	9999-98-ASC-0002	NOT PROVIDED (Dowel Front Cover, U1030, ERR3286)	2	F
0010	9999-98-ASC-0002	NOT PROVIDED (Cover Front, U1030, ERR4664)	1	F
0011	9999-98-ASC-0002	NOT PROVIDED (Stud, U1030, TE108061L)	3	F
0012	9999-98-ASC-0002	NOT PROVIDED (Joint Washer, U1030, ERR2344)	1	F
0013	9999-98-ASC-0002	NOT PROVIDED (Dowel, U1030, 6395L)	4	F
0014	9999-98-ASC-0002	NOT PROVIDED (Rotor Inner, U1030, ERR1041)	1	F
0015	9999-98-ASC-0002	NOT PROVIDED (Rotor Outer, U1030, ERR1040)	1	F
0016	9999-98-ASC-0002	NOT PROVIDED (Gasket Front Cover, U1030, ERR4860)	1	F
0017	9999-98-ASC-0002	NOT PROVIDED (Plunger Relief Valve, U1030, ERR1085)	1	F
0018	9999-98-ASC-0002	NOT PROVIDED (Spring Relief Valve, U1030, ERR1084)	1	F
0019	9999-98-ASC-0002	NOT PROVIDED (Plug Relief Plunger, U1030, ERR1086)	1	F
0020	5330-99-911-1450	SEAL, PLAIN ENCASED u/o LR diesel eng crankcase	1	F
0021	9999-98-ASC-0002	NOT PROVIDED (Bolt Flange M8x35, U1030, FB108071L)	8	F
0022	9999-98-ASC-0002	NOT PROVIDED (Bolt Flange M8x80, U1030, FB108161L)	2	F
0023	9999-98-ASC-0002	NOT PROVIDED (Clip Hose, U1030, ERR4284)	2	F
0024	9999-98-ASC-0002	NOT PROVIDED (Bolt Flange M8x110, U1030, FB108221)	2	F
0025	9999-98-ASC-0002	NOT PROVIDED (Bolt Flange M8x40, U1030, FB108081L)	2	F
0026	9999-98-ASC-0002	NOT PROVIDED (Bolt Flange M8x100, U1030, FB108201L)	2	F
0027	9999-98-ASC-0002	NOT PROVIDED (Cover Plate, U1030, ERR1560)	1	F
0028	9999-98-ASC-0002	NOT PROVIDED (Gasket Cover Plate, U1030, ERR1561)	1	F

1E11 TIMING BELT (300TDi)



ITEM(S) NOT ILLUSTRATED

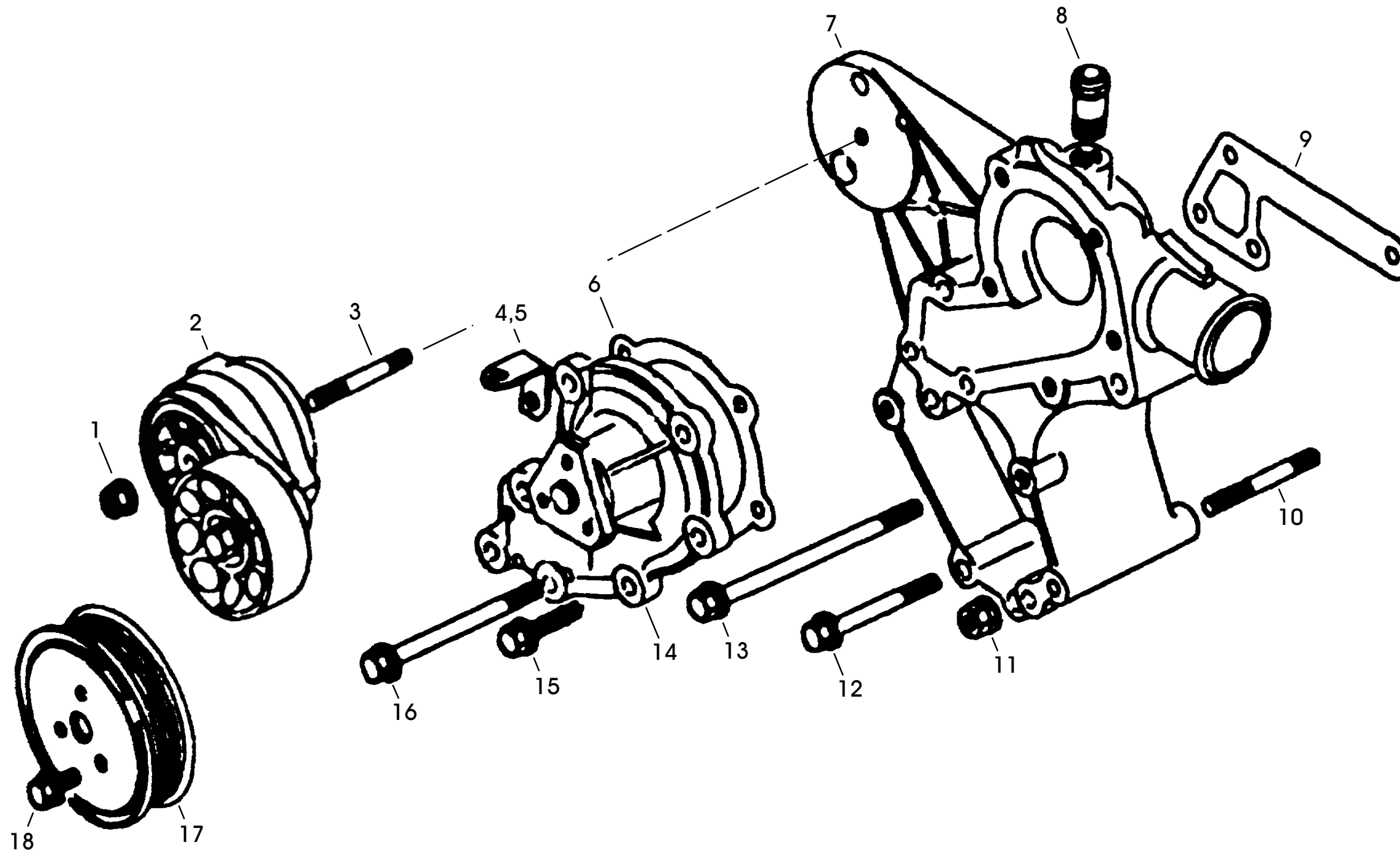
5 - 7

TEXT

___ 0058 ZPM1 R00000033 10008-1F11 TIMING BELT (300TD)

ITEM	NSN	DESCRIPTION	QTY	GOR
___ 0000		10008-1F11	1	
___ 0001	3030-99-661-9156	BELT, POSITIVE DRIV	1	F
___ 0002	9999-98-ASC-0002	NOT PROVIDED (Bolt Flanged, U1030, FB110131)	1	F
___ 0003	9999-98-ASC-0002	NOT PROVIDED (Washer Packing, U1030, ERR900)	1	F
___ 0004	9999-98-ASC-0002	NOT PROVIDED (Pulley Tensioner, U1030, ERR1972)	1	F
___ 0005	9999-98-ASC-0002	NOT PROVIDED (Nut Flanged, U1030, FN110041)	1	F
___ 0006	9999-98-ASC-0002	NOT PROVIDED (Idler Static, Timing Belt, U1030, ETC85)	1	F
___ 0007	9999-98-ASC-0002	NOT PROVIDED (Washer Spacing, U1030, ERR1973)	1	F

1G11 WATER PUMP (300 TDi)

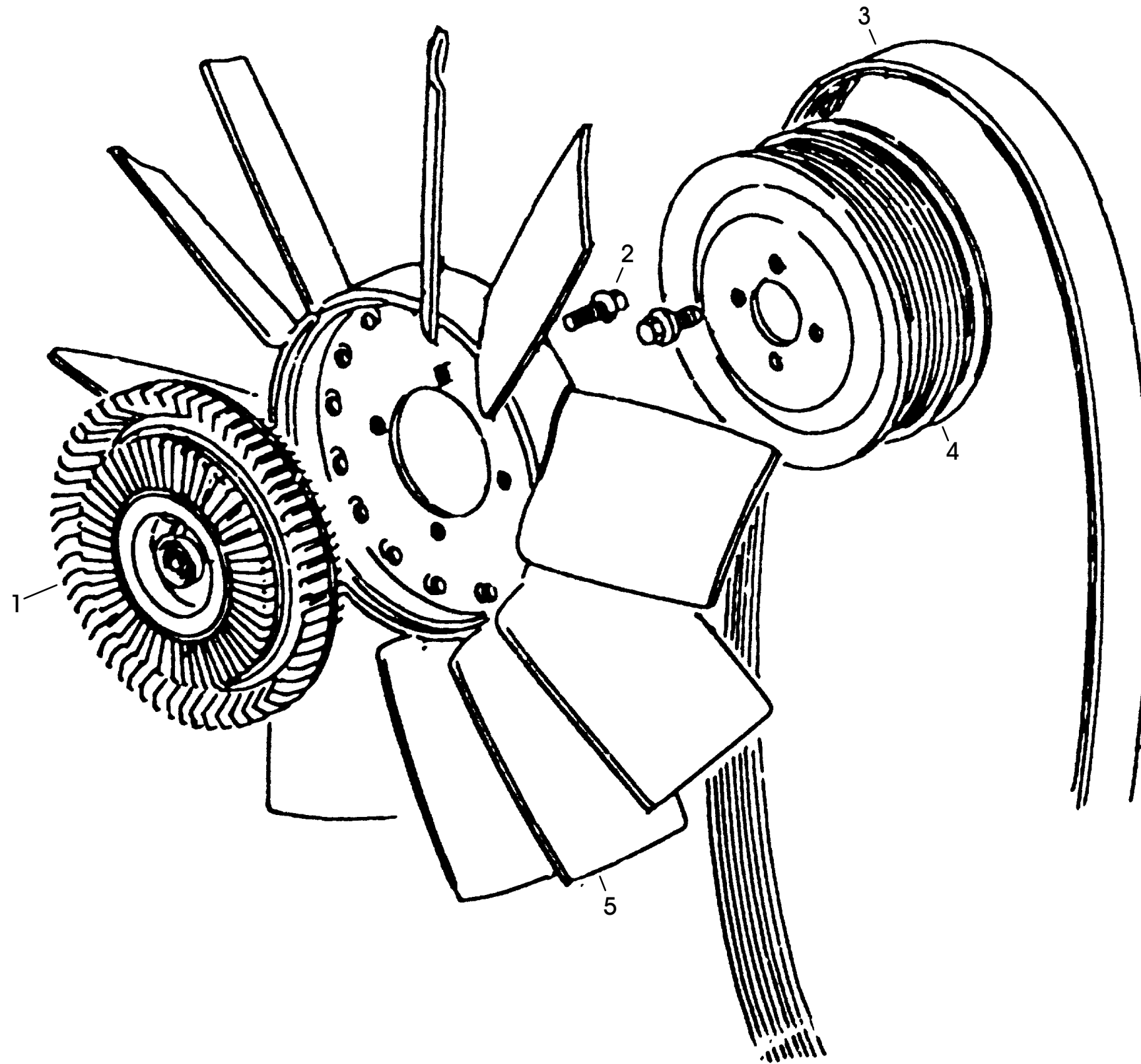


ITEM(S) NOT ILLUSTRATED



0059 ZPM1 R00000047 10008-1H11 WATER PUMP (300TDi)

ITEM	NSN	DESCRIPTION	QTY	GOR
0000		10008-1H11	1	
0001	9999-98-ASC-0002	NOT PROVIDED (Nut Flange, U1030, FN110041)	1	F
0002	9999-98-ASC-0002	NOT PROVIDED (Tensioner Auxiliary, U1030, ERR4708)	1	F
0003	9999-98-ASC-0002	NOT PROVIDED (Stud, U1030, TE110151)	1	F
0004	9999-98-ASC-0002	NOT PROVIDED (Bracket Bypass Hose, U1030, ERR5259)	1	F
0005	4720-99-244-6733	HOSE, NONMETALLIC u/o LR diesel eng	1	U
0006	5330-99-391-0683	GASKET	1	U
0007	9999-98-ASC-0002	NOT PROVIDED (Bracket Mounting, U1030, ERR3736)	1	F
0008	9999-98-ASC-0002	NOT PROVIDED (Pipe Stub, U1030, ERR3622)	1	F
0009	5330-99-761-7520	GASKET water into block	1	U
0010	9999-98-ASC-0002	NOT PROVIDED (Stud, U1030, ERR4404)	1	F
0011	9999-98-ASC-0002	NOT PROVIDED (Nut Flange, U1030, FX108041)	2	F
0012	9999-98-ASC-0002	NOT PROVIDED (Bolt Flange, U1030, FB108131)	1	F
0013	9999-98-ASC-0002	NOT PROVIDED (Bolt Flange, U1030, FB108261)	1	F
0014	2930-99-940-5457	PUMP, COOLING SYSTEM u/o LR diesel eng	1	U
0015	9999-98-ASC-0002	NOT PROVIDED (Screw Flange, U1030, FS108301)	5	F
0016	9999-98-ASC-0002	NOT PROVIDED (Bolt Flange Pump to Bracket, U1030, FB1	3	F
0017	9999-98-ASC-0002	NOT PROVIDED (Pulley Water Pump, U1030, ERR3734)	1	F
0018	9999-98-ASC-0002	NOT PROVIDED (Screw Flange, U1030, FS108121)	3	F
0019	3030-98-204-4085	WATER PUMP DRIVE BELT	1	U



TEXT

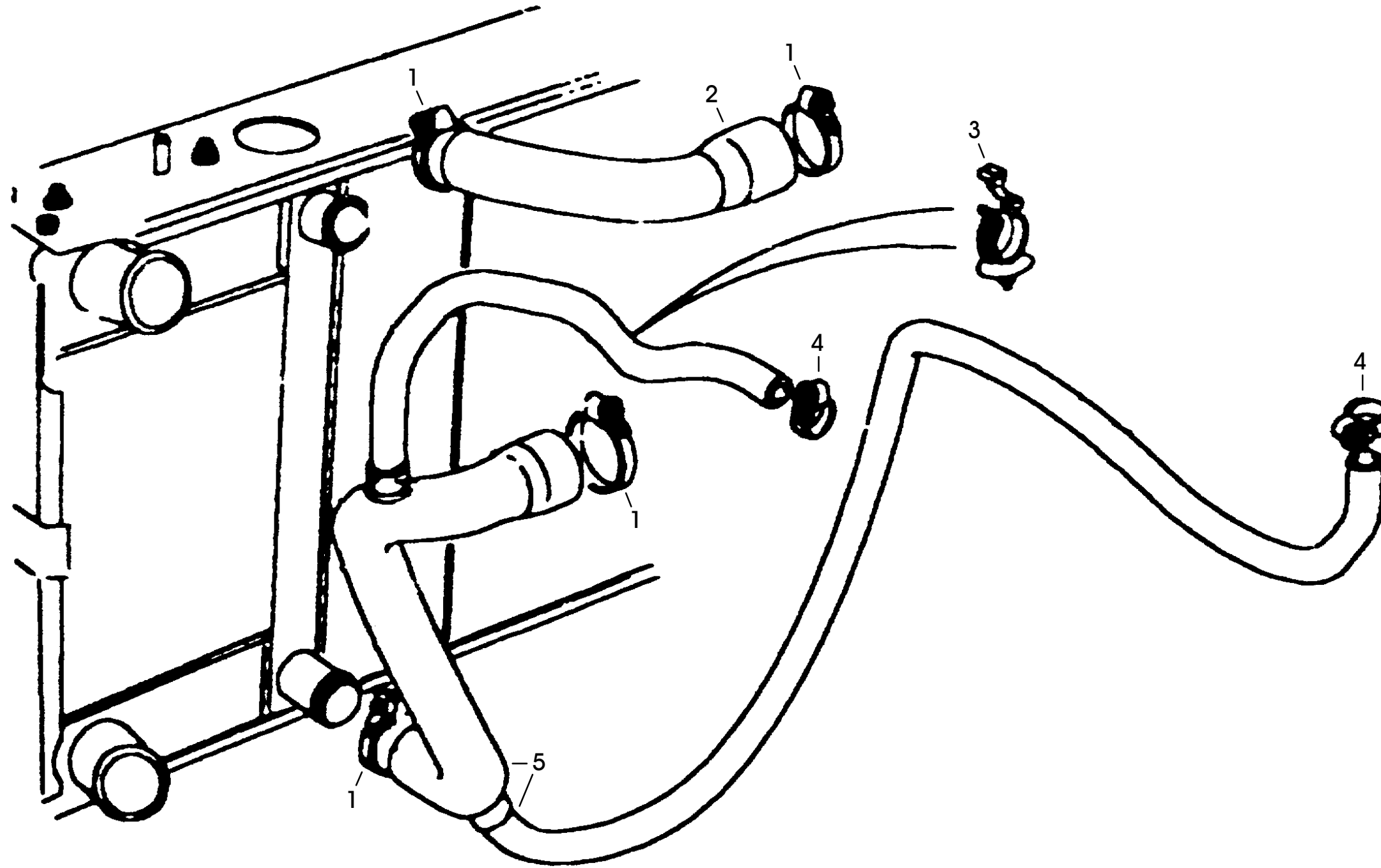
|__ 0060 ZPM1 R00000063 10008-1J11 COOLING FAN (300TDi)

	ITEM	NSN	DESCRIPTION	QTY	GOR
	__ 0000		10008-1J11	1	
	__ 0001	2930-99-203-5045	VISCOUS UNIT	1	U
	__ 0002	5305-99-257-9432	SCREW	4	U
	__ 0003	3030-01-414-9551	ALTERNATOR DRIVE BELT u/o LR diesel engine	1	U
	__ 0004	3020-99-547-9683	PULLEY, GROOVE	1	U
	__ 0005	2930-99-925-2999	IMPELLER, FAN, AXIAL	1	U

0061 ZPM1 R00000078 10008-1L11 RADIATOR & COOLERS (300TDi)

ITEM	NSN	DESCRIPTION	QTY	GOR
0000		10008-1L11	1	
0001	2930-99-452-0591	RADIATOR, ENGINE CO	1	U
0002	9999-98-ASC-0002	NOT PROVIDED (Screw M6, U1030, SH106205)	4	F
0003	9999-98-ASC-0002	NOT PROVIDED (Washer Spring, U1030, WM600041L)	4	F
0004	9999-98-ASC-0002	NOT PROVIDED (Washer Plain, U1030, WC106045)	4	F
0005	9999-98-ASC-0002	NOT PROVIDED (Bracket Mounting Upper L/H, U1030, ESR2)	1	F
0006	9999-98-ASC-0002	NOT PROVIDED (Bracket Mounting Upper R/H, U1030, ESR2)	1	F
0007	9999-98-ASC-0002	NOT PROVIDED (Grommet Pad, U1030, NRC5544)	2	F
0008	9999-98-ASC-0002	NOT PROVIDED (Frame Side R/H, U1030, BTP1827)	1	F
0009	9999-98-ASC-0002	NOT PROVIDED (Washer Plain, U1030, WA105001)	2	F
0010	9999-98-ASC-0002	NOT PROVIDED (Nut M5, U1030, NH105041)	2	F
0011	9999-98-ASC-0002	NOT PROVIDED (Frame Bottom Radiator, U1030, BTP2284)	1	F
0012	9999-98-ASC-0002	NOT PROVIDED (Clip Edge, U1030, ESR1800)	2	F
0013	2930-99-126-1509	FAN COWL	1	U
0014	9999-98-ASC-0002	NOT PROVIDED (Bush Radiator Chassis, U1030, 572312)	2	F
0015	9999-98-ASC-0002	NOT PROVIDED (Frame Side L/H, U1030, BTP1826)	1	F
0016	9999-98-ASC-0002	NOT PROVIDED (Intercooler, U1030, FTP8030)	1	F
0017	9999-98-ASC-0002	NOT PROVIDED (Radiator Block, U1030, BTP2275)	1	F
0018	9999-98-ASC-0002	NOT PROVIDED (Frame Top Radiator, U1030, BTP2282)	1	F

1M11 RADIATOR HOSES (300 TDi)

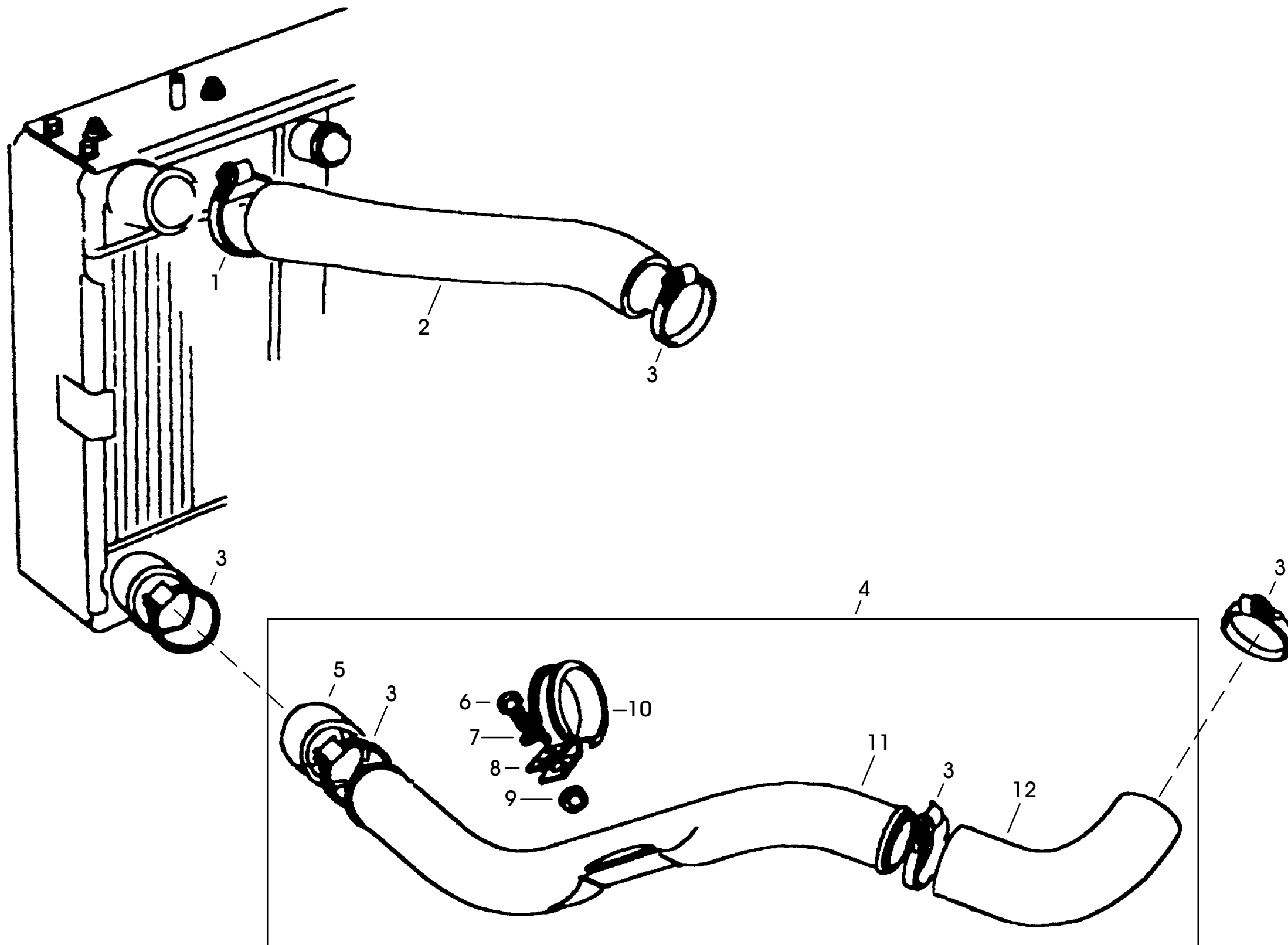


TEXT

|__ 0062 ZPM1 R00000093 10008-1N11 RADIATOR HOSES (300TDi)

ITEM	NSN	DESCRIPTION	QTY	GOR
__ 0000		10008-1N11	1	
__ 0001	4730-99-420-3230	CLAMP,HOSE:STEEL BAND BS1449-EN2C,STEEL stl, zn pld, 1.500 - 2.125-in id	4	U
__ 0002	4720-99-196-9782	HOSE, PREFORMED	1	U
__ 0003	5340-99-588-2014	CLIP, SPRING TENSION	2	U
__ 0004	4730-99-798-0799	CLAMP, HOSE	2	U
__ 0005	4720-99-196-9783	HOSE, PREFORMED	1	U

1A12 INTERCOOLER HOSES (300TDi)

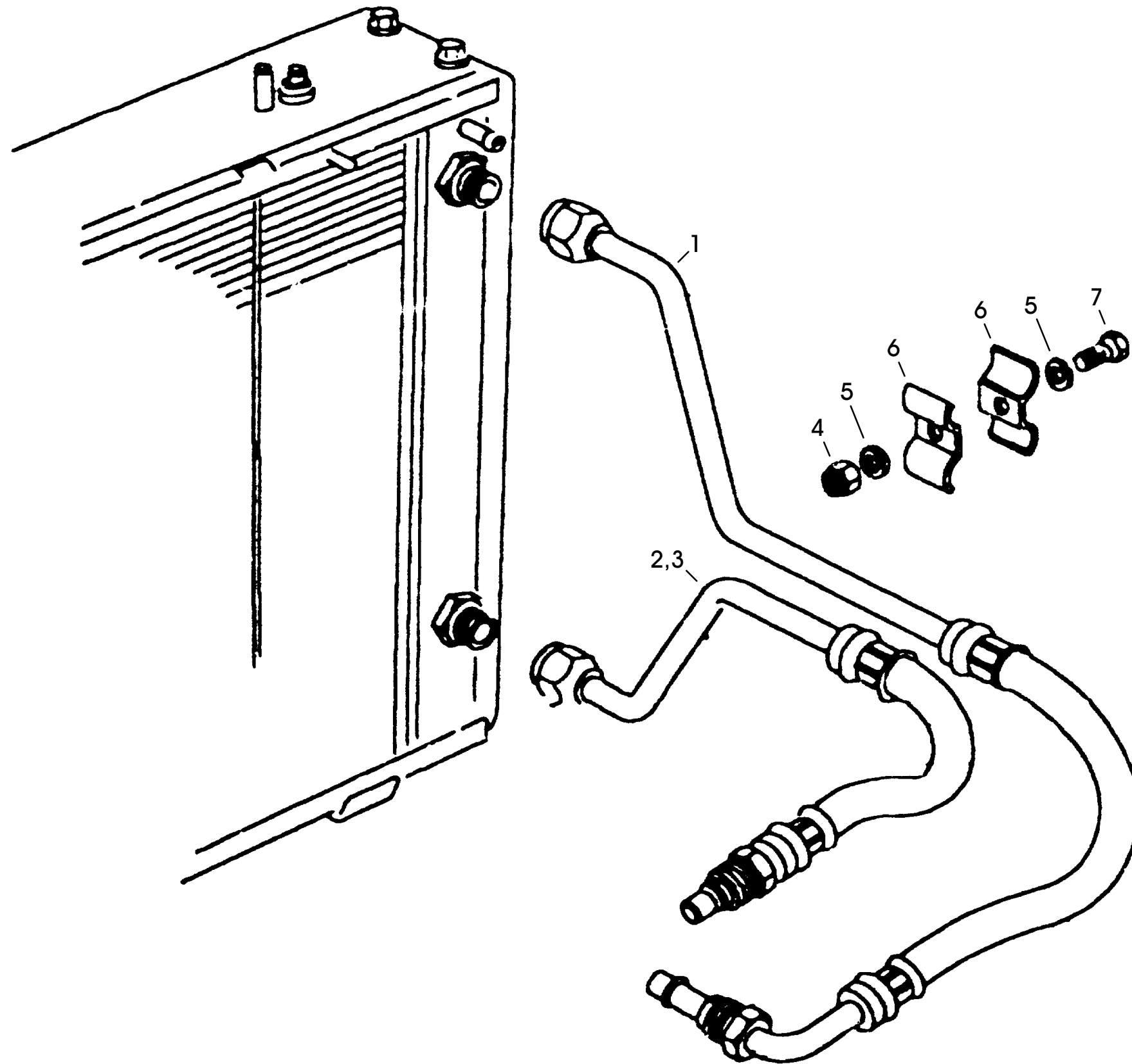


TEXT

___ 0063 ZPM1 R00000003 10008-1B12 INTERCOOLER HOSES (300TDi)

ITEM	NSN	DESCRIPTION	QTY	GOR
___ 0000		10008-1B12	1	
___ 0001	4730-99-350-5693	CLAMP, HOSE	1	U
___ 0002	4720-99-215-5223	HOSE, PREFORMED u/o 300TDI LR intercooler to intake	1	U
___ 0003	4730-99-517-2160	CLAMP, HOSE	5	U
___ 0004	4720-99-598-7618	PIPE ASSEMBLY intercooler to turbo	1	U
___ 0005	4720-99-846-0361	HOSE, NONMETALLIC u/o TDI300 LR, turbo dust to intercooler	1	U
___ 0006	5305-99-122-5365	SCREW, CAP, HEXAGON HEAD	1	U
___ 0007	5310-99-957-3981	WASHER	1	U
___ 0008	5340-99-051-9415	CLAMP, LOOP	1	U
___ 0009	5310-99-122-5496	NUT,SELF-LOCKING,HEXAGON:M8-1.25p M8, 1.25mm p, stl, zn pld, nylon insert	1	U
___ 0010	5340-99-739-0647	MOUNTING RUBBER	1	U
___ 0011	2990-99-807-7140	PIPE intercooler to turbo	1	U
___ 0012	4720-99-427-7812	HOSE, NONMETALLIC u/o 300TDI LR, turbo to intercooler duct	1	U

1C12 OIL COOLER HOSES (300 TDi)



TEXT

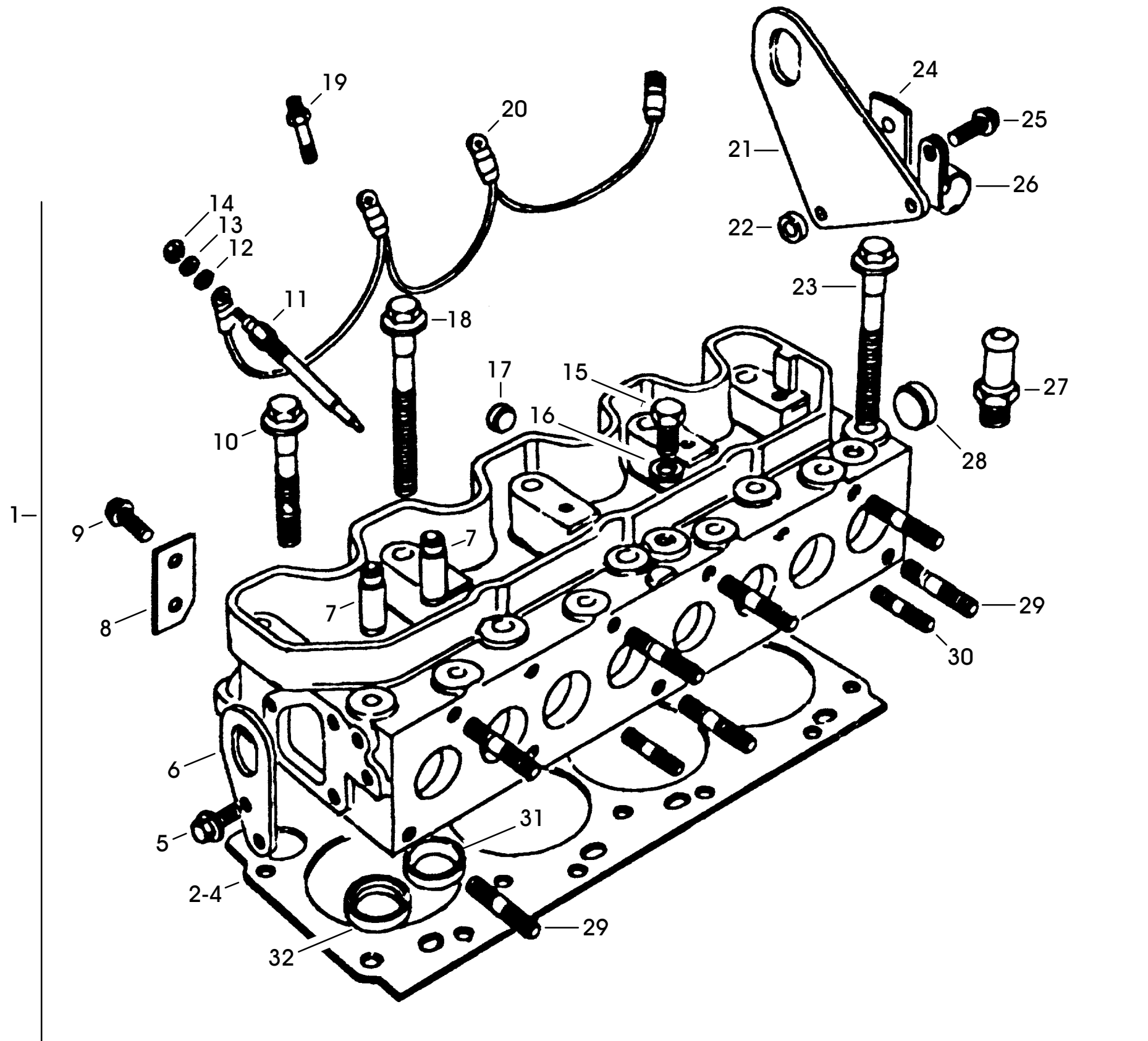
___ 0064 ZPM1 R00000019 10008-1D12 OIL COOLER HOSES (300TD)

ITEM	NSN	DESCRIPTION	QTY	GOR
___ 0000		10008-1D12	1	
___ 0001	4710-99-701-9780	PIPE, OIL COOLER TO ENGINE cooler in engine	1	U
___ 0002	4710-99-863-6018	PIPE, ENGINE TO OIL COOLER engine to cooler	1	U
___ 0003	5330-99-149-8373	RING, SEALING, TOROID	4	U
___ 0004	9999-98-ASC-0002	NOT PROVIDED (Nut Nyloc M6, U1030, NY106041)	1	F
___ 0005	9999-98-ASC-0002	NOT PROVIDED (Washer Plain, U1030, WA106041)	2	F
___ 0006	9999-98-ASC-0002	NOT PROVIDED (Clamp Saddle, U1030, NTC6847)	2	F
___ 0007	9999-98-ASC-0002	NOT PROVIDED (Screw M6, U1030, SH106161)	1	F

**THIS PAGE
LEFT BLANK
INTENTIONALLY**

|__ 0066 ZPM1 R00000048 10008-1H12 OIL FILTER (300TDi)

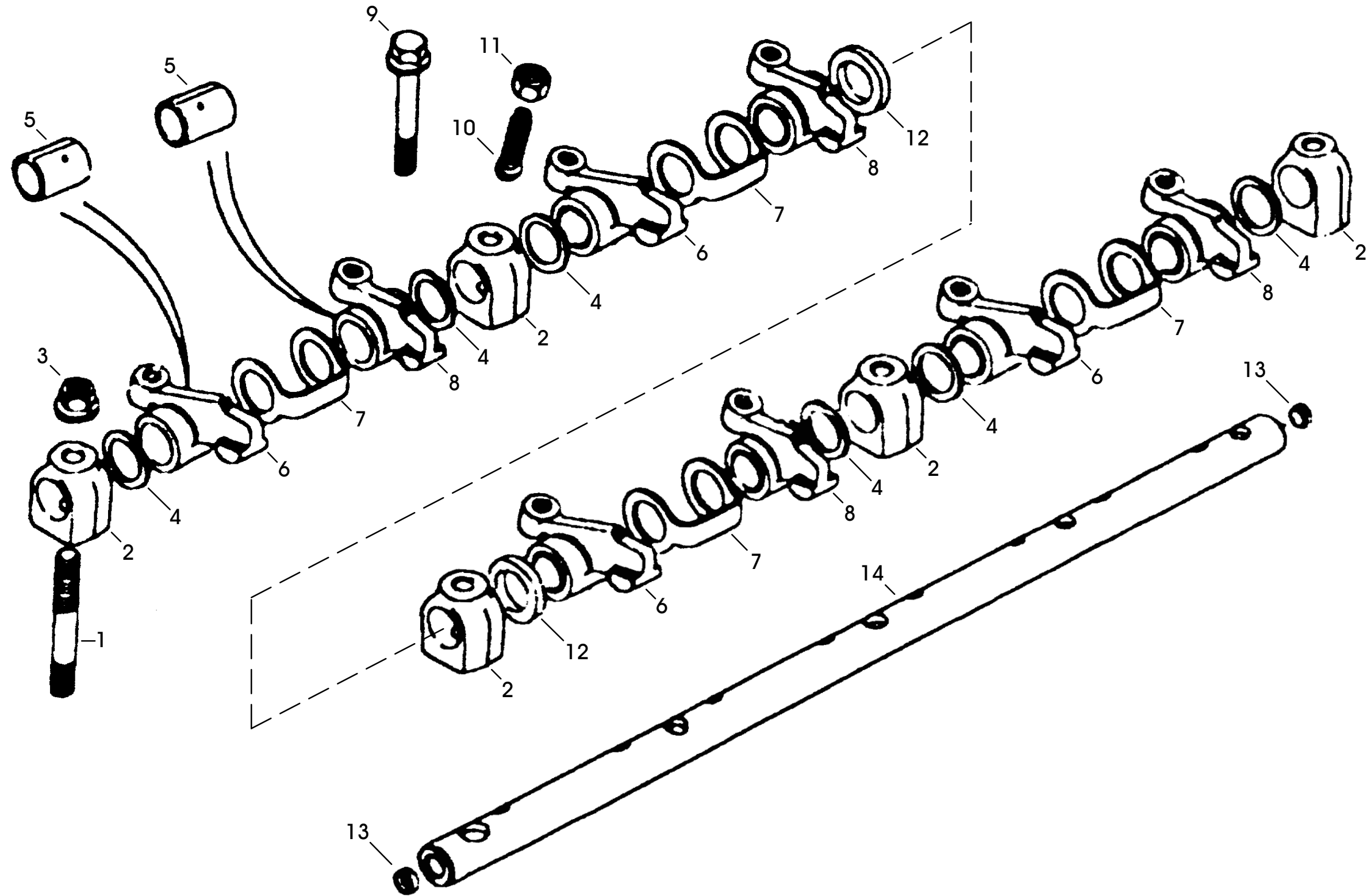
	ITEM	NSN	DESCRIPTION	QTY	GOR
	__ 0000		10008-1H12	1	
	__ 0001	2910-01-407-2074	FILTER BODY, FLUID (Racor)	1	F
	__ 0002	2910-01-407-2075	FILTER ELEMENT,300TDI FUEL (Racor)	1	O
	__ 0003	2910-01-407-2077	BOWL, SEDIMENT (Racor)	1	F



TEXT

ITEM	NSN	DESCRIPTION	QTY	GOR
0000		10008-1J12	1	
0001	2815-99-588-2127	CYLINDER HEAD, DIESEL ENGINE	1	F
0002	5330-98-DAB-0204	GASKET u/o LR diesel eng cylinder head (1.3mm)	1	F
0003	5330-98-DAB-0205	GASKET u/o LR diesel eng cylinder head (1.4mm)	1	F
0004	5330-98-DAB-0206	GASKET CANCELLED W/O REPLACEMENT	1	F
0005	9999-98-ASC-0002	NOT PROVIDED (Screw Flange, U1030, FS108201)	2	F
0006	9999-98-ASC-0002	NOT PROVIDED (Bracket Lifting Front, U1030, ETC8031)	1	F
0007	9999-98-ASC-0002	NOT PROVIDED (Guide Valve, U1030, ETC8003)	8	F
0008	9999-98-ASC-0002	NOT PROVIDED (Bracket Retaining, U1030, ERC9409)	1	F
0009	9999-98-ASC-0002	NOT PROVIDED (Screw Flange, U1030, FS108161L)	1	F
0010	9999-98-ASC-0002	NOT PROVIDED (Bolt Fixing Cylinder Head, U1030, ETC88	4	F
0011	2920-12-338-2346	GLOW PLUG u/o LR diesel eng	4	F
0012	9999-98-ASC-0002	NOT PROVIDED (Washer, U1030, WE104001L)	4	F
0013	9999-98-ASC-0002	NOT PROVIDED (Washer, U1030, WA104001L)	4	F
0014	9999-98-ASC-0002	NOT PROVIDED (Nut, U1030, NH104041L)	4	F
0015	9999-98-ASC-0002	NOT PROVIDED (Plug, U1030, ETC5577)	1	F
0016	9999-98-ASC-0002	NOT PROVIDED (Washer Joint, U1030, FRC4808)	1	F
0017	9999-98-ASC-0002	NOT PROVIDED (Plug Cup, U1030, 525497)	1	F
0018	9999-98-ASC-0002	NOT PROVIDED (Bolt Fixing Cylinder Head, U1030, ETC88	4	F
0019	9999-98-ASC-0002	NOT PROVIDED (Stud Injector Clamp, U1030, ERR1019)	4	F
0020	9999-98-ASC-0002	NOT PROVIDED (Cable Assembly Glow Plugs, U1030, AMR24	1	F
0021	9999-98-ASC-0002	NOT PROVIDED (Bracket Lifting Rear, U1030, ETC8036)	1	F
0022	9999-98-ASC-0002	NOT PROVIDED (Spacer, U1030, 390939)	1	F
0023	9999-98-ASC-0002	NOT PROVIDED (Bolt Fixing Cylinder Head, U1030, ERR19	10	F
0024	9999-98-ASC-0002	NOT PROVIDED (Bracket Harness, U1030, PRC2979)	1	F
0025	9999-98-ASC-0002	NOT PROVIDED (Screw Flange M8x25, U1030, FS108251L)	2	F
0026	9999-98-ASC-0002	NOT PROVIDED (P Clip, U1030, CP108251)	1	F
0027	9999-98-ASC-0002	NOT PROVIDED (Adaptor, U1030, 624091)	1	F
0028	9999-98-ASC-0002	NOT PROVIDED (Plug Cup, U1030, 524765)	1	F
0029	9999-98-ASC-0002	NOT PROVIDED (Stud M10x35, U1030, TE110071)	10	F
0030	9999-98-ASC-0002	NOT PROVIDED (Stud M8x25, U1030, TE108051L)	2	F
0031	9999-98-ASC-0002	NOT PROVIDED (Insert Valve Seat Exhaust, U1030, ERR37	4	F
0032	9999-98-ASC-0002	NOT PROVIDED (Insert Valve Seat Inlet, U1030, ETC8001	4	F

1K12 ROCKER SHAFT (300 TDi)

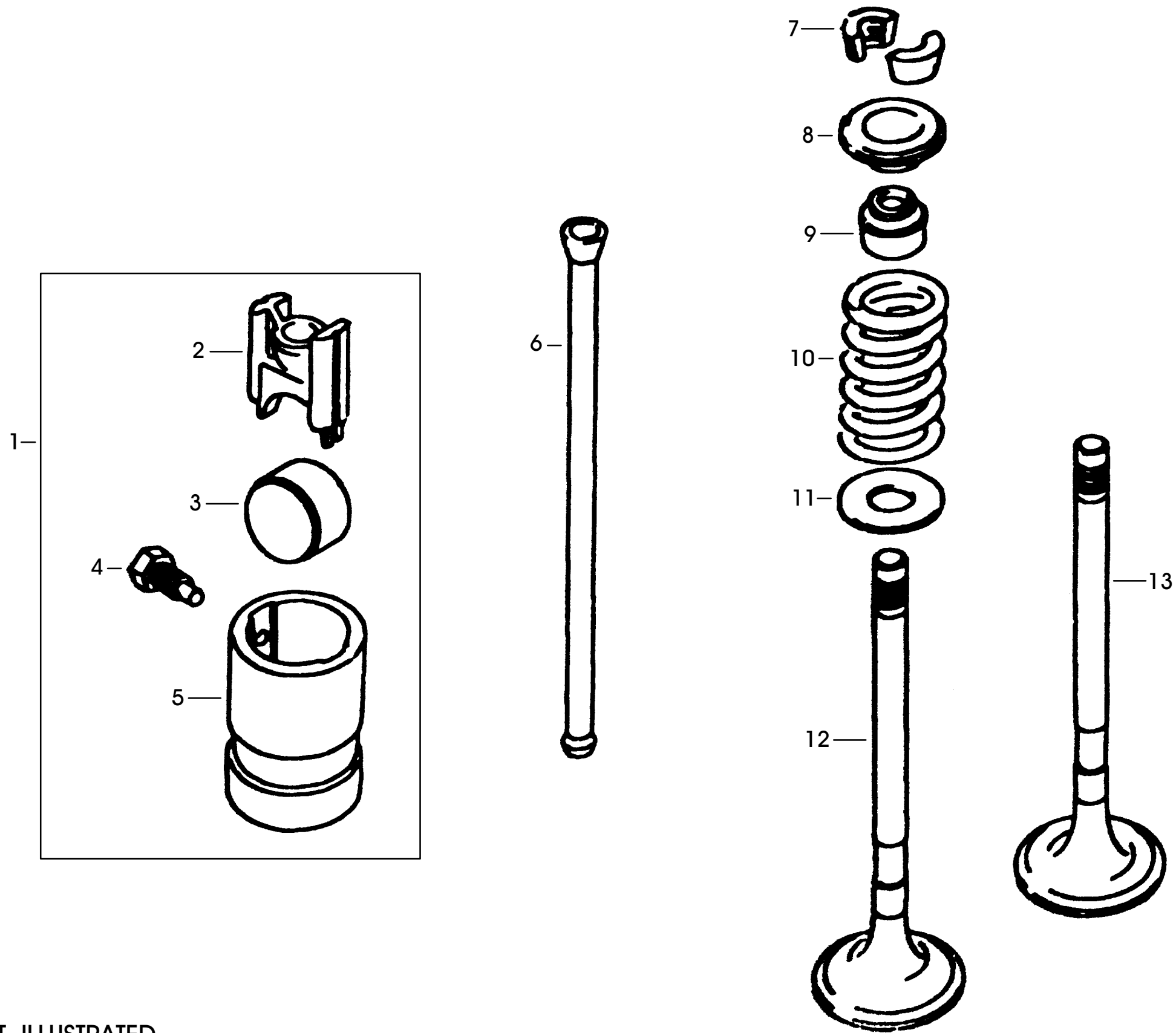


TEXT

___ 0068 ZPM1 R00000079 10008-1L12 ROCKER SHAFT (300TDi)

ITEM	NSN	DESCRIPTION	QTY	GOR
___ 0000		10008-1L12	1	
___ 0001	9999-98-ASC-0002	NOT PROVIDED (Stud Rocker Shaft, U1030, ERR4687)	3	F
___ 0002	9999-98-ASC-0002	NOT PROVIDED (Clamp Rocker Shaft, U1030, ERR3779)	5	F
___ 0003	9999-98-ASC-0002	NOT PROVIDED (Nut Flange, U1030, FN108041)	3	F
___ 0004	9999-98-ASC-0002	NOT PROVIDED (Spacer, U1030, ERR1209)	6	F
___ 0005	9999-98-ASC-0002	NOT PROVIDED (Bush, U1030, ERR1203)	8	F
___ 0006	9999-98-ASC-0002	NOT PROVIDED (Rocker Arm Assembly R/H, U1030, ERR3343)	4	F
___ 0007	9999-98-ASC-0002	NOT PROVIDED (Spring, U1030, ERR2405)	4	F
___ 0008	9999-98-ASC-0002	NOT PROVIDED (Rocker Arm Assembly L/H, U1030, ERR3342)	4	F
___ 0009	9999-98-ASC-0002	NOT PROVIDED (Bolt Flange, U1030, FB108101)	2	F
___ 0010	9999-98-ASC-0002	NOT PROVIDED (Screw Tappet Adjusting, U1030, ERR4883)	8	F
___ 0011	9999-98-ASC-0002	NOT PROVIDED (Nut Locker, U1030, ERR560)	8	F
___ 0012	9999-98-ASC-0002	NOT PROVIDED (Spacer, U1030, ERR2732)	2	F
___ 0013	9999-98-ASC-0002	NOT PROVIDED (Cup Plug, U1030, ERR3457)	2	F
___ 0014	9999-98-ASC-0002	NOT PROVIDED (Shaft Rocker Assembly, U1030, ERR4848)	1	F

1M12 VALVES AND TAPPETS (300 TDi)



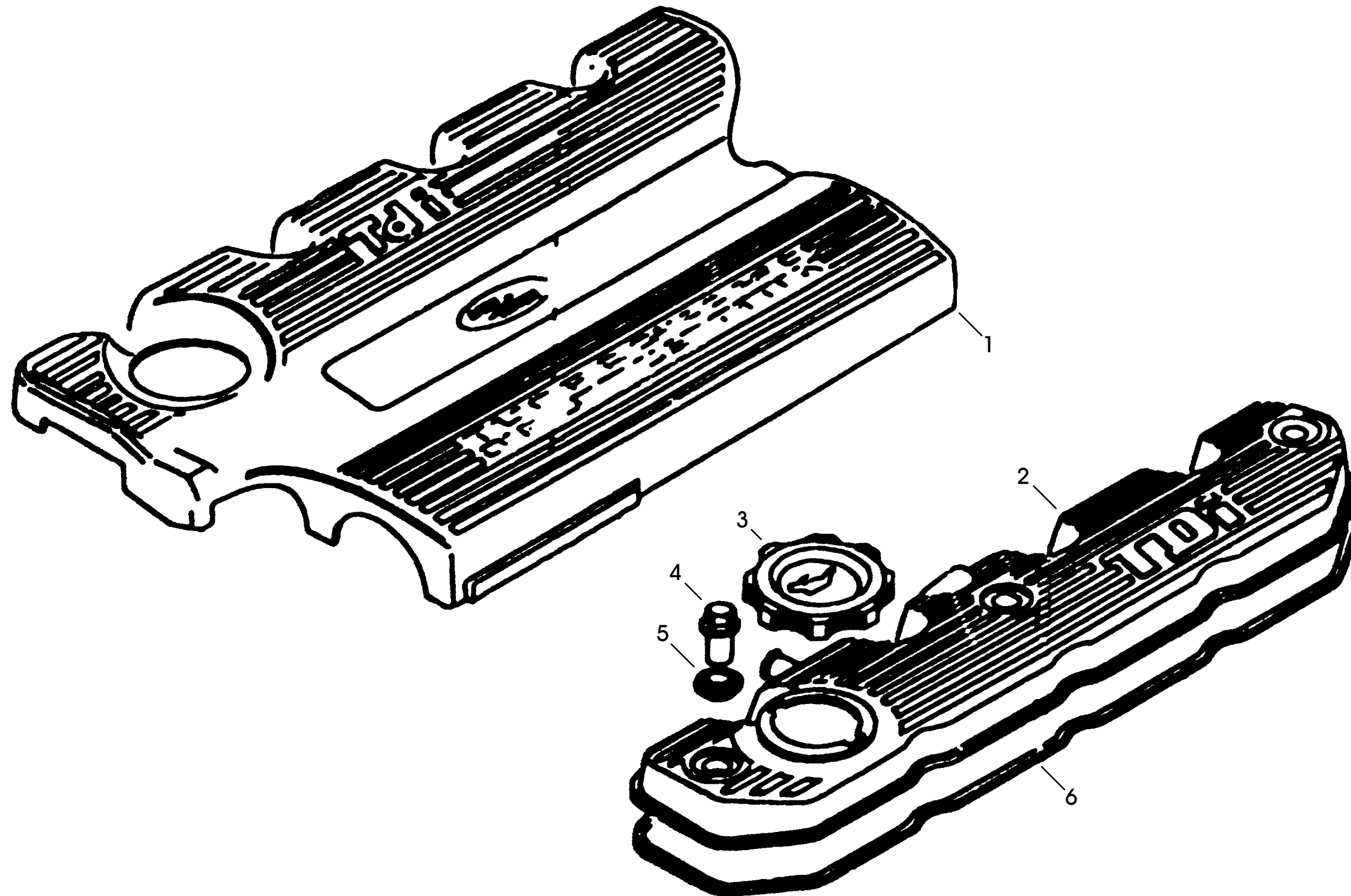
ITEM(S) NOT ILLUSTRATED

TEXT

___ 0069 ZPM1 R00000094 10008-1N12 VALVES & TAPPETS (300TDi)

ITEM	NSN	DESCRIPTION	QTY	GOR
___ 0000		10008-1N12	1	
___ 0001	9999-98-ASC-0002	NOT PROVIDED (Tappet Assembly, U1030, RTC6564)	8	F
___ 0002	9999-98-ASC-0002	NOT PROVIDED (Tappet Slide, U1030, ERR607)	8	F
___ 0003	9999-98-ASC-0002	NOT PROVIDED (Washer Tappet Guide, U1030, ERR561)	8	F
___ 0004	9999-98-ASC-0002	NOT PROVIDED (Set Bolt, U1030, ETC4246)	8	F
___ 0005	9999-98-ASC-0002	NOT PROVIDED (Guide, U1030, 502473)	8	F
___ 0006	9999-98-ASC-0002	NOT PROVIDED (Push Rod, U1030, 546799)	8	F
___ 0007	9999-98-ASC-0002	NOT PROVIDED (Cotter Valve Spring, U1030, ETC4069)	16	F
___ 0008	9999-98-ASC-0002	NOT PROVIDED (Cup Valve Spring, U1030, ETC4068)	8	F
___ 0009	9999-98-ASC-0002	NOT PROVIDED (Seal Valve Stem, U1030, ETC8663)	8	F
___ 0010	9999-98-ASC-0002	NOT PROVIDED (Spring Valve, U1030, ERR4640)	8	F
___ 0011	9999-98-ASC-0002	NOT PROVIDED (Seat Valve Spring, U1030, ETC8193)	8	F
___ 0012	9999-98-ASC-0002	NOT PROVIDED (Valve Exhaust, U1030, ERR1156)	4	F
___ 0013	9999-98-ASC-0002	NOT PROVIDED (Valve Inlet, U1030, ERR3777)	4	F
___ 0014	9999-98-ASC-0002	NOT PROVIDED (Cup Valve Stem Protection, U1030, ERR41)	8	F

1A13 ROCKER COVER (300TDi)

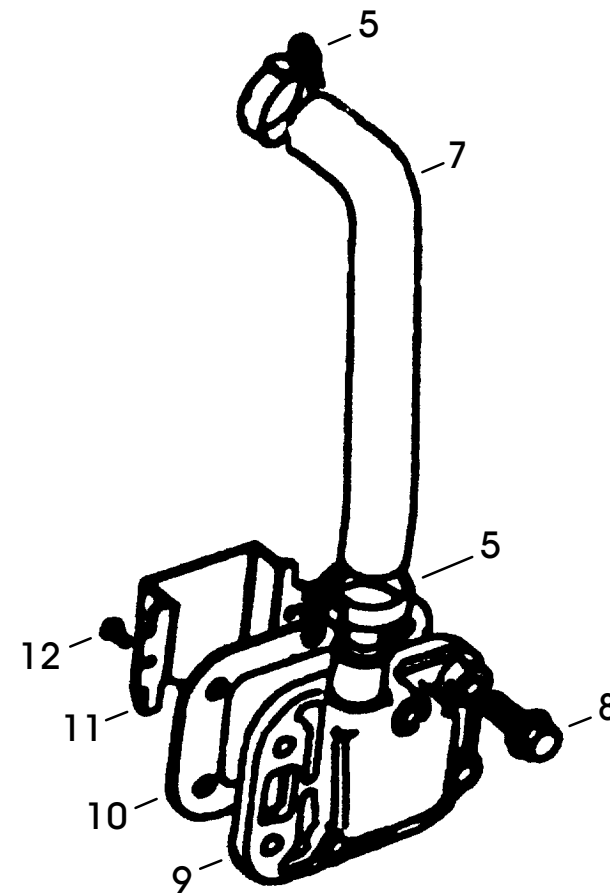
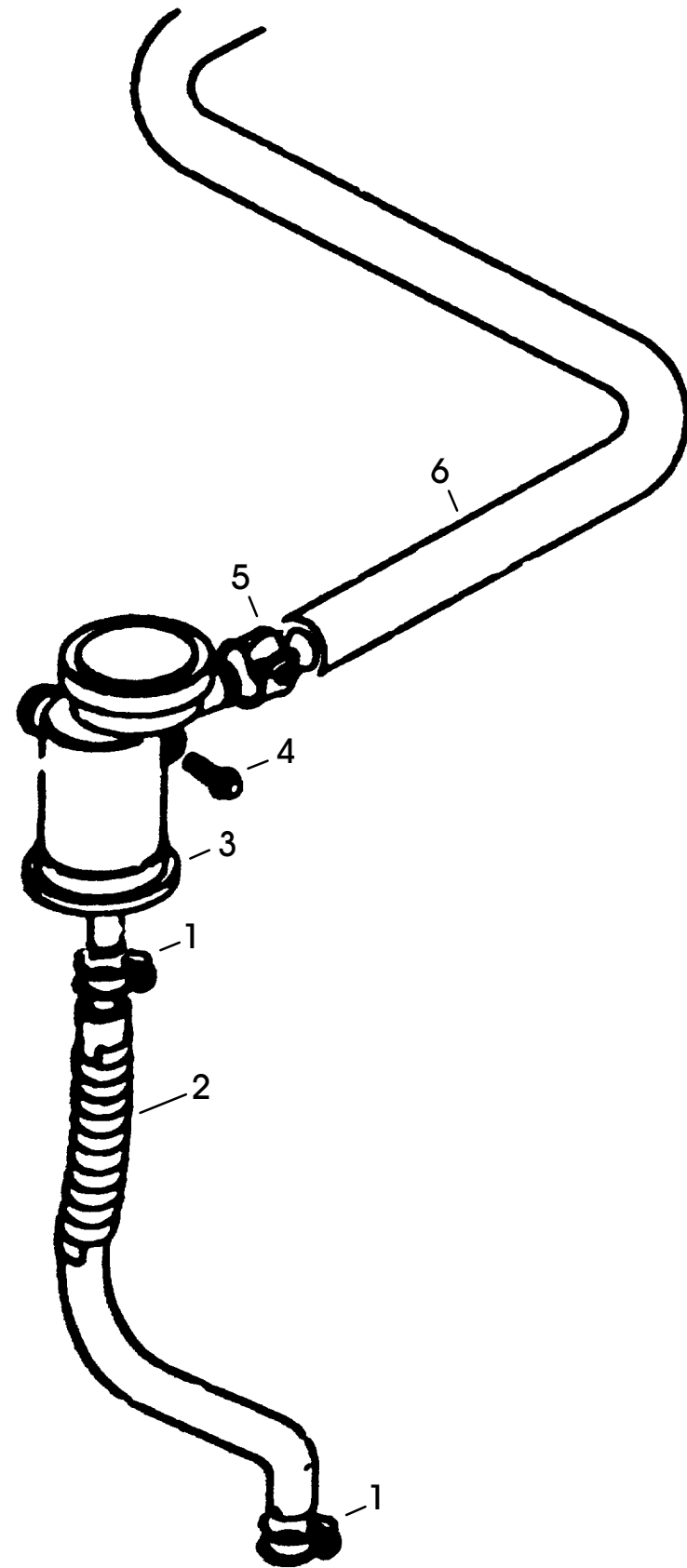


TEXT

|__ 0070 ZPM1 R00000004 10008-1B13 ROCKER COVER (300TDi)

	ITEM	NSN	DESCRIPTION	QTY	GOR
	__ 0000		10008-1B13	1	
	__ 0001	9999-98-ASC-0002	NOT PROVIDED (Cover NVH Engine Top, U1030, ERR4632)	1	F
	__ 0002	9999-98-ASC-0002	NOT PROVIDED (Rocker Cover, U1030, ERR4691)	1	F
	__ 0003	5340-99-083-3460	CAP, FILLER OPENING	1	U
	__ 0004	5310-99-341-1181	NUT, SLEEVE	3	U
	__ 0005	5365-99-891-7138	BUSHING, NONMETALLIC	3	U
	__ 0006	5330-99-314-5872	GASKET rocker cover, Land Rover 300TDi engine	1	U

1C13 CYCLONE BREATHER (300 TDi)

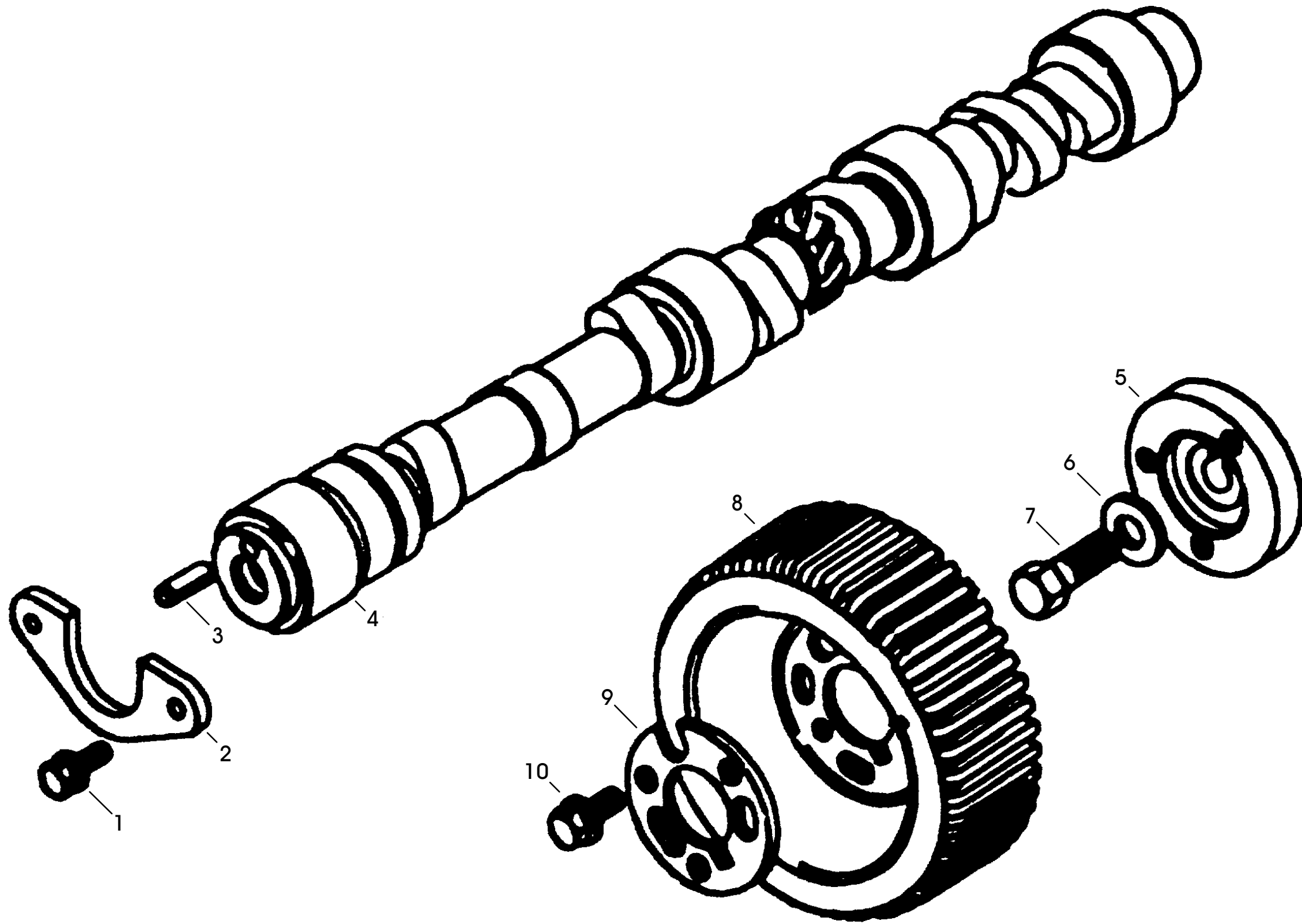


TEXT

___ 0071 ZPM1 R00000020 10008-1D13 CYCLONE BREATHER (300TDi)

ITEM	NSN	DESCRIPTION	QTY	GOR
___ 0000		10008-1D13	1	
___ 0001	4730-99-152-4901	CLAMP, HOSE	2	U
___ 0002	9999-98-ASC-0002	NOT PROVIDED (Hose Cyclone Oil Drain, U1030, ERR1351)	1	F
___ 0003	2815-99-863-7592	BREATHER	1	U
___ 0004	9999-98-ASC-0002	NOT PROVIDED (Bolt Flange, U1030, FB106111L)	1	F
___ 0005	4730-99-533-2960	CLAMP, HOSE	4	U
___ 0006	4720-99-452-1137	HOSE, NONMETALLIC air cleaner duct, Land Rover 3000TDi eng	1	U
___ 0007	9999-98-ASC-0002	NOT PROVIDED (Hose Side to Rocker Cover, U1030, ERR30)	1	F
___ 0008	9999-98-ASC-0002	NOT PROVIDED (Screw Flange M8x25, U1030, FS108251L)	3	F
___ 0009	9999-98-ASC-0002	NOT PROVIDED (Cover Side Breather, U1030, ERR4706)	1	F
___ 0010	9999-98-ASC-0002	NOT PROVIDED (Gasket Side Cover, U1030, ERR2026)	1	F
___ 0011	9999-98-ASC-0002	NOT PROVIDED (Baffle Plate, U1030, ERR874)	1	F
___ 0012	9999-98-ASC-0002	NOT PROVIDED (Screw, U1030, 79027)	1	F

1E13 CAMSHAFT (300TDi)

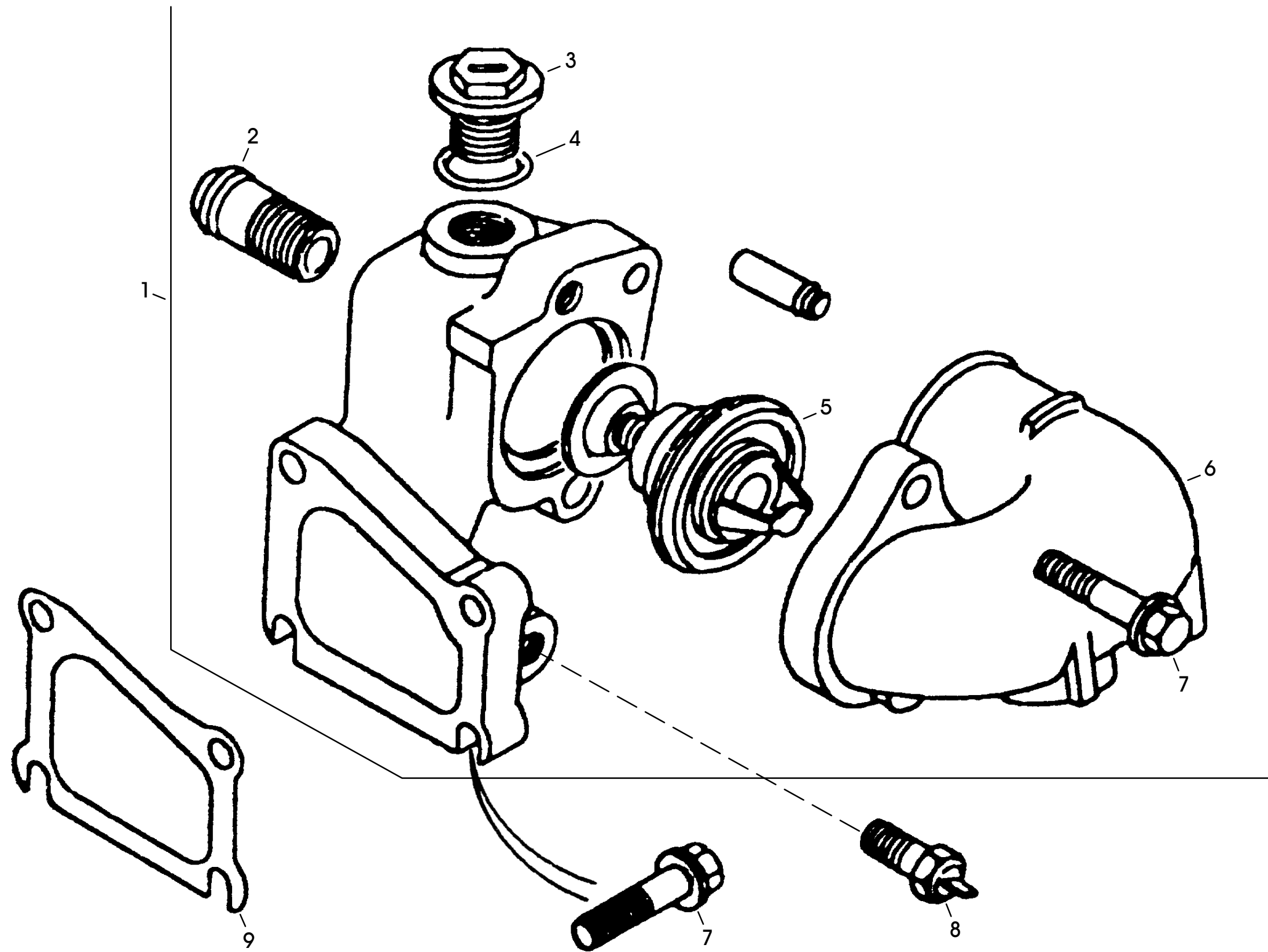


TEXT

___ 0072 ZPM1 R00000034 10008-1F13 CAMSHAFT (300TD)

ITEM	NSN	DESCRIPTION	QTY	GOR
___ 0000		10008-1F13	1	
___ 0001	9999-98-ASC-0002	NOT PROVIDED (Screw Flange, U1030, FS106167)	2	F
___ 0002	9999-98-ASC-0002	NOT PROVIDED (Plate Thrust Camshaft, U1030, ERR3754)	1	F
___ 0003	9999-98-ASC-0002	NOT PROVIDED (Dowel Camshaft, U1030, ERR4709)	1	F
___ 0004	9999-98-ASC-0002	NOT PROVIDED (Camshaft, U1030, ERR3547)	1	F
___ 0005	9999-98-ASC-0002	NOT PROVIDED (Hub Camshaft Pulley, U1030, ERR3756)	1	F
___ 0006	9999-98-ASC-0002	NOT PROVIDED (Washer, U1030, BDU1496)	1	F
___ 0007	9999-98-ASC-0002	NOT PROVIDED (Bolt, U1030, BX112091)	1	F
___ 0008	9999-98-ASC-0002	NOT PROVIDED (Pulley Timing Belt, U1030, ERR3545)	1	F
___ 0009	9999-98-ASC-0002	NOT PROVIDED (Plate Retaining, U1030, ERR2216)	1	F
___ 0010	9999-98-ASC-0002	NOT PROVIDED (Screw Flange, U1030, FS108161L)	3	F

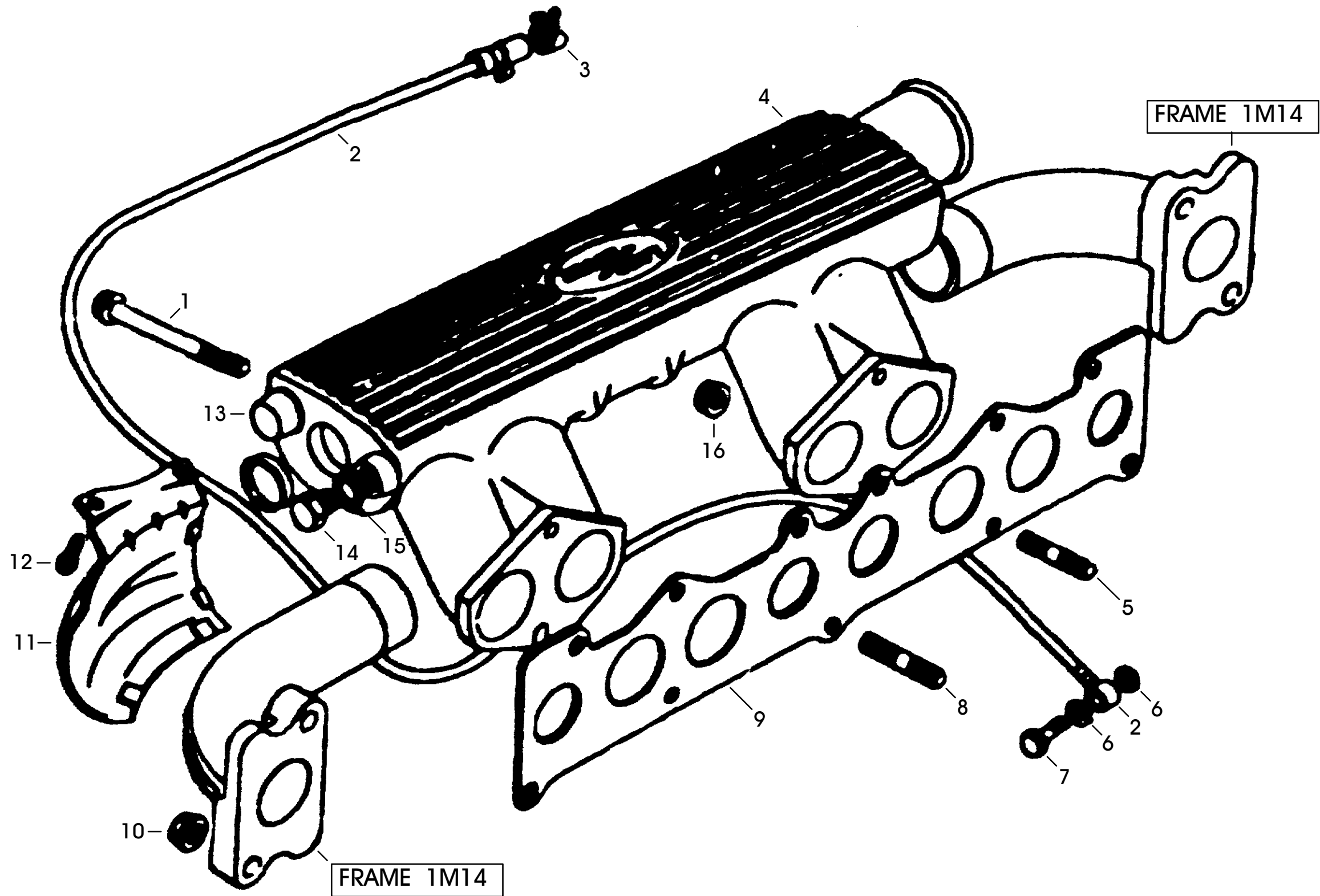
1G13 THERMOSTAT (300 TDi)



TEXT

___ 0073 ZPM1 R00000049 10008-1H13 THERMOSTAT (300TDi)

ITEM	NSN	DESCRIPTION	QTY	GOR
___ 0000		10008-1H13	1	
___ 0001	9999-98-ASC-0002	NOT PROVIDED (Housing Thermostat, U1030, ERR3479)	1	F
___ 0002	9999-98-ASC-0002	NOT PROVIDED (Pipe Stub, U1030, ERR3622)	1	F
___ 0003	9999-98-ASC-0002	NOT PROVIDED (Plug Coolant Filler, U1030, ERR4686)	1	F
___ 0004	9999-98-ASC-0002	NOT PROVIDED (O Ring, U1030, ERR4685)	1	F
___ 0005	6685-99-911-1451	THERMOSTAT, FLOW CO Land Rover, 300TDi engine	1	U
___ 0006	9999-98-ASC-0002	NOT PROVIDED (Connection Water Outlet, U1030, ERR3737)	1	F
___ 0007	9999-98-ASC-0002	NOT PROVIDED (Screw Flange M8x25, U1030, FS108251L)	6	F
___ 0008	9999-98-ASC-0002	NOT PROVIDED (Sender Temperature, U1030, AMR3321)	1	F
___ 0009	9999-98-ASC-0002	NOT PROVIDED (Gasket Outlet to Housing, U1030, ERR349)	1	F

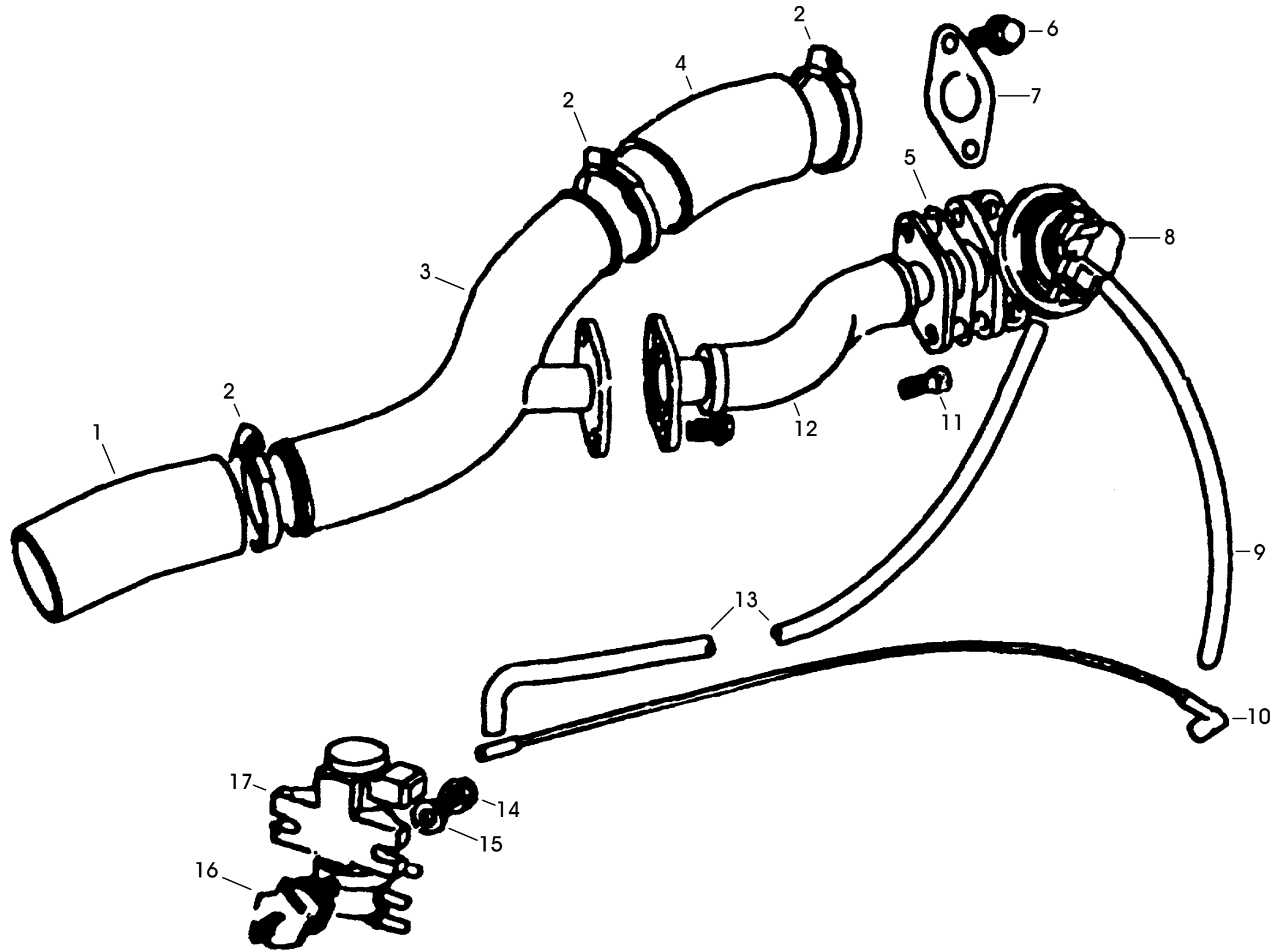


TEXT

0074 ZPM1 R00000065 10008-1J13 MANIFOLDS (300TD)

ITEM	NSN	DESCRIPTION	QTY	GOR
0000		10008-1J13	1	
0001	9999-98-ASC-0002	NOT PROVIDED (Bolt Flange, U1030, FB108171)	2	F
0002	9999-98-ASC-0002	NOT PROVIDED (Boost Pipe Assembly, U1030, ERR4699)	1	F
0003	9999-98-ASC-0002	NOT PROVIDED (Hose Clamp, U1030, UKC3803L)	1	F
0004	9999-98-ASC-0002	NOT PROVIDED (Manifold Inlet, U1030, ERR3481)	1	F
0005	9999-98-ASC-0002	NOT PROVIDED (Stud, U1030, TE108051L)	2	F
0006	9999-98-ASC-0002	NOT PROVIDED (Washer Joint, U1030, 273069)	2	F
0007	9999-98-ASC-0002	NOT PROVIDED (Banjo Bolt Boost Capsule, U1030, ERR886)	1	F
0008	9999-98-ASC-0002	NOT PROVIDED (Stud M10x35, U1030, TE110071)	7	F
0009	9999-98-ASC-0002	NOT PROVIDED (Gasket Manifold to Head, U1030, ERR3785)	1	F
0010	9999-98-ASC-0002	NOT PROVIDED (Nut Flange, U1030, FX110041)	7	F
0011	9999-98-ASC-0002	NOT PROVIDED (Heatshield Exhaust Manifold, U1030, ESR)	1	F
0012	9999-98-ASC-0002	NOT PROVIDED (Screw Flange, U1030, FS105107)	2	F
0013	9999-98-ASC-0002	NOT PROVIDED (Cup Plug, U1030, 524765)	1	F
0014	9999-98-ASC-0002	NOT PROVIDED (Drain Plug, U1030, ETC5577)	1	F
0015	9999-98-ASC-0002	NOT PROVIDED (Washer Joint, U1030, ERR894)	1	F
0016	9999-98-ASC-0002	NOT PROVIDED (Nut Flange, U1030, FN108041)	2	F

1K13 EXHAUST GAS RECIRCULATING (300 TDi)

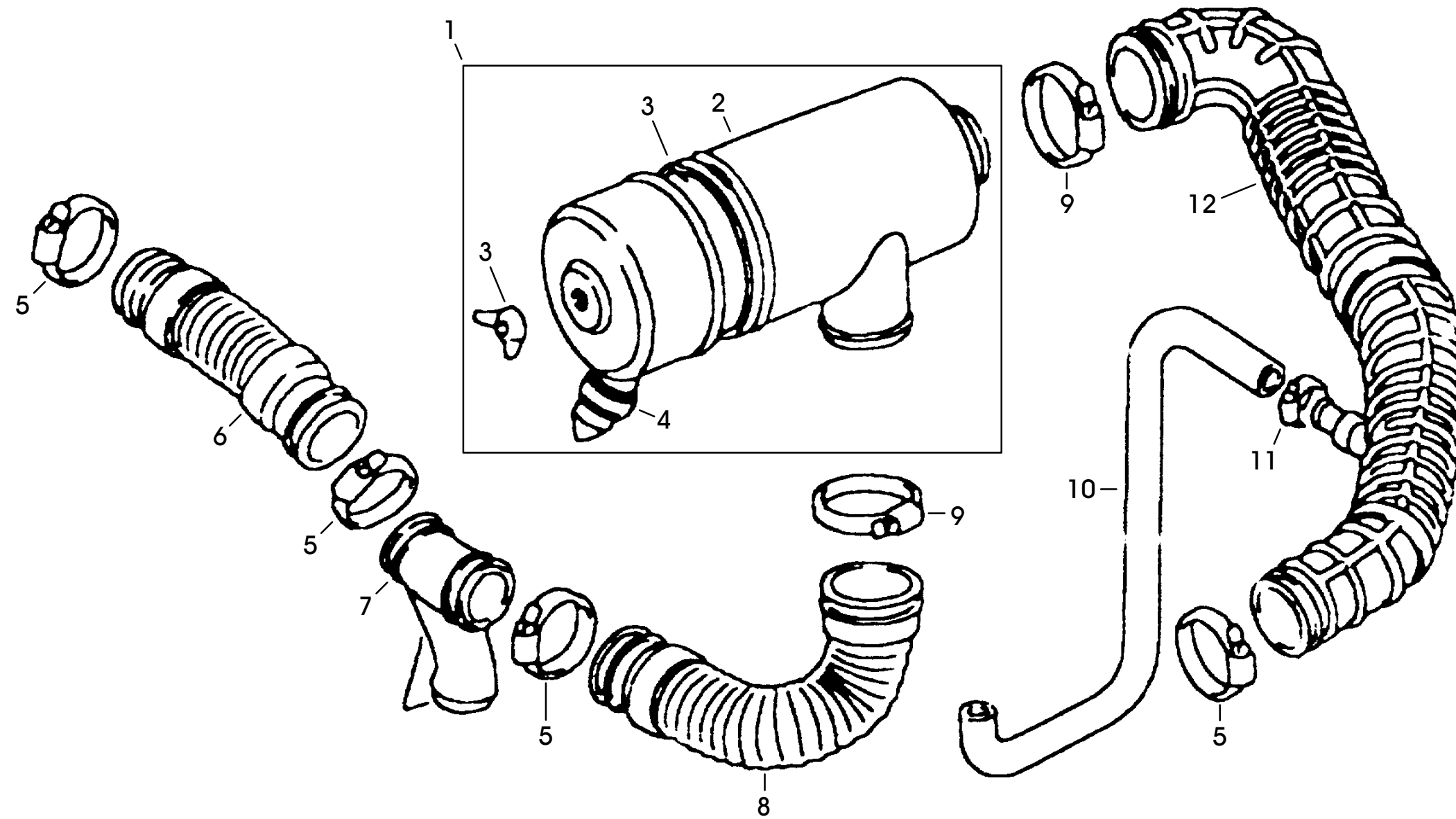


TEXT

0075 ZPM1 R00000080 10008-1L13 EXHAUST GAS RECIRCUL (300TD)

ITEM	NSN	DESCRIPTION	QTY	GOR
0000		10008-1L13	1	
0001	9999-98-ASC-0002	NOT PROVIDED (Hose EGR Tube to Inlet Manifold, U1030,	1	F
0002	9999-98-ASC-0002	NOT PROVIDED (Clip Hose, U1030, PYC101120)	3	F
0003	9999-98-ASC-0002	NOT PROVIDED (Tube EGR Mixing, U1030, ERR3579)	1	F
0004	9999-98-ASC-0002	NOT PROVIDED (Hose Intercooler EGR Tube, U1030, ERR35	1	F
0005	9999-98-ASC-0002	NOT PROVIDED (Gasket EGR Pipe to Valve, U1030, ERR331	1	F
0006	9999-98-ASC-0002	NOT PROVIDED (Screw Flanged, U1030, FS108201L)	2	F
0007	9999-98-ASC-0002	NOT PROVIDED (Gasket EGR to Inlet Manifold, U1030, ER	1	F
0008	9999-98-ASC-0002	NOT PROVIDED (Valve EGR, U1030, ERR4047)	1	F
0009	9999-98-ASC-0002	NOT PROVIDED (Pipe Sol to EGR Valve, U1030, ESR3308)	1	F
0010	9999-98-ASC-0002	NOT PROVIDED (Hose to Air Cleaner, U1030, ERR4862)	1	F
0011	9999-98-ASC-0002	NOT PROVIDED (Screw Socket, U1030, SS108201)	2	F
0012	9999-98-ASC-0002	NOT PROVIDED (Tube Delivery EGR, U1030, ERR3583)	1	F
0013	9999-98-ASC-0002	NOT PROVIDED (Pipe EGR Valve to Modulator, U1030, ERR	1	F
0014	9999-98-ASC-0002	NOT PROVIDED (Washer Plain M6, U1030, WA106001L)	2	F
0015	9999-98-ASC-0002	NOT PROVIDED (Nut Nyloc, U1030, NY106041L)	2	F
0016	9999-98-ASC-0002	NOT PROVIDED (Mounting Flexible, U1030, ERR2337)	2	F
0017	9999-98-ASC-0002	NOT PROVIDED (Modulator EGR Valve, U1030, ERR3314)	1	F

1M13 AIR CLEANER ASSEMBLY (300 TDi)

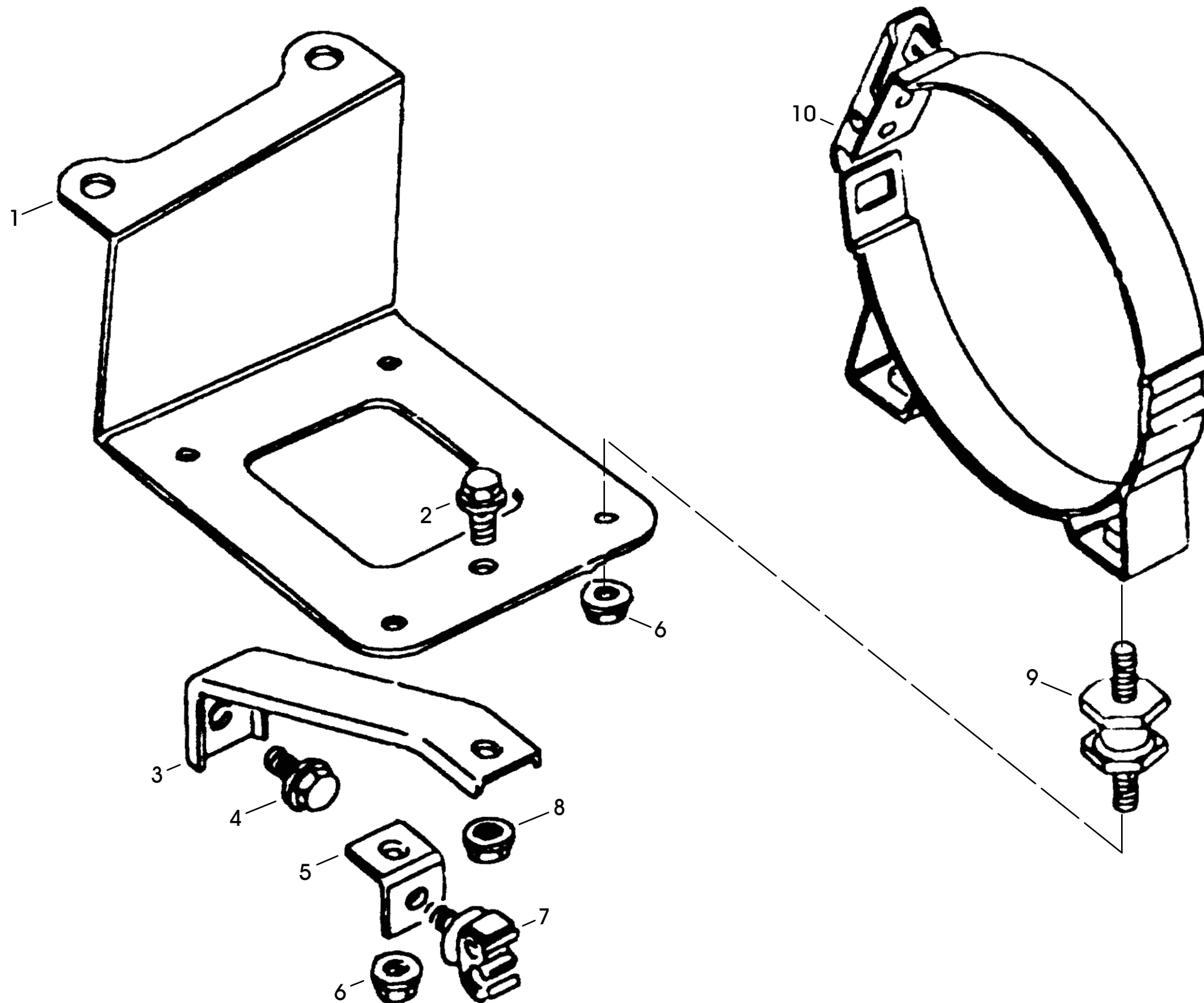


TEXT

0076 ZPM1 R0000095 10008-1N13 AIR CLEANER ASSEMBLY (300TD)

ITEM	NSN	DESCRIPTION	QTY	GOR
0000		10008-1N13	1	
0001	2940-99-795-4235	AIR CLEANER, INTAKE	1	F
0002	2940-99-125-9642	FILTER ELEMENT,INTA air u/o LR diesel eng	1	O
0003	9999-98-ASC-0002	NOT PROVIDED (Nut and Gasket, U1030, NRC9239)	1	F
0004	9999-98-ASC-0002	NOT PROVIDED (Valve Dump, U1030, NRC8955)	1	F
0005	4730-99-350-5693	CLAMP, HOSE	4	U
0006	9999-98-ASC-0002	NOT PROVIDED (Hose Intake to Dump Valve, U1030, ESR30	1	F
0007	9999-98-ASC-0002	NOT PROVIDED (Dump Valve and Bracket Assembly, U1030,	1	F
0008	9999-98-ASC-0002	NOT PROVIDED (Hose Dump to Air Cleaner, U1030, ESR303	1	F
0009	4730-99-464-7026	CLIP, HOSE	2	U
0010	9999-98-ASC-0002	NOT PROVIDED (Hose Cyclone to Air Cleaner, U1030, ERR	1	F
0011	4730-99-533-2960	CLAMP, HOSE	1	U
0012	4730-99-348-9821	HOSE ASSEMBLY	1	U

1A14 AIR CLEANER MOUNTINGS (300TDi)

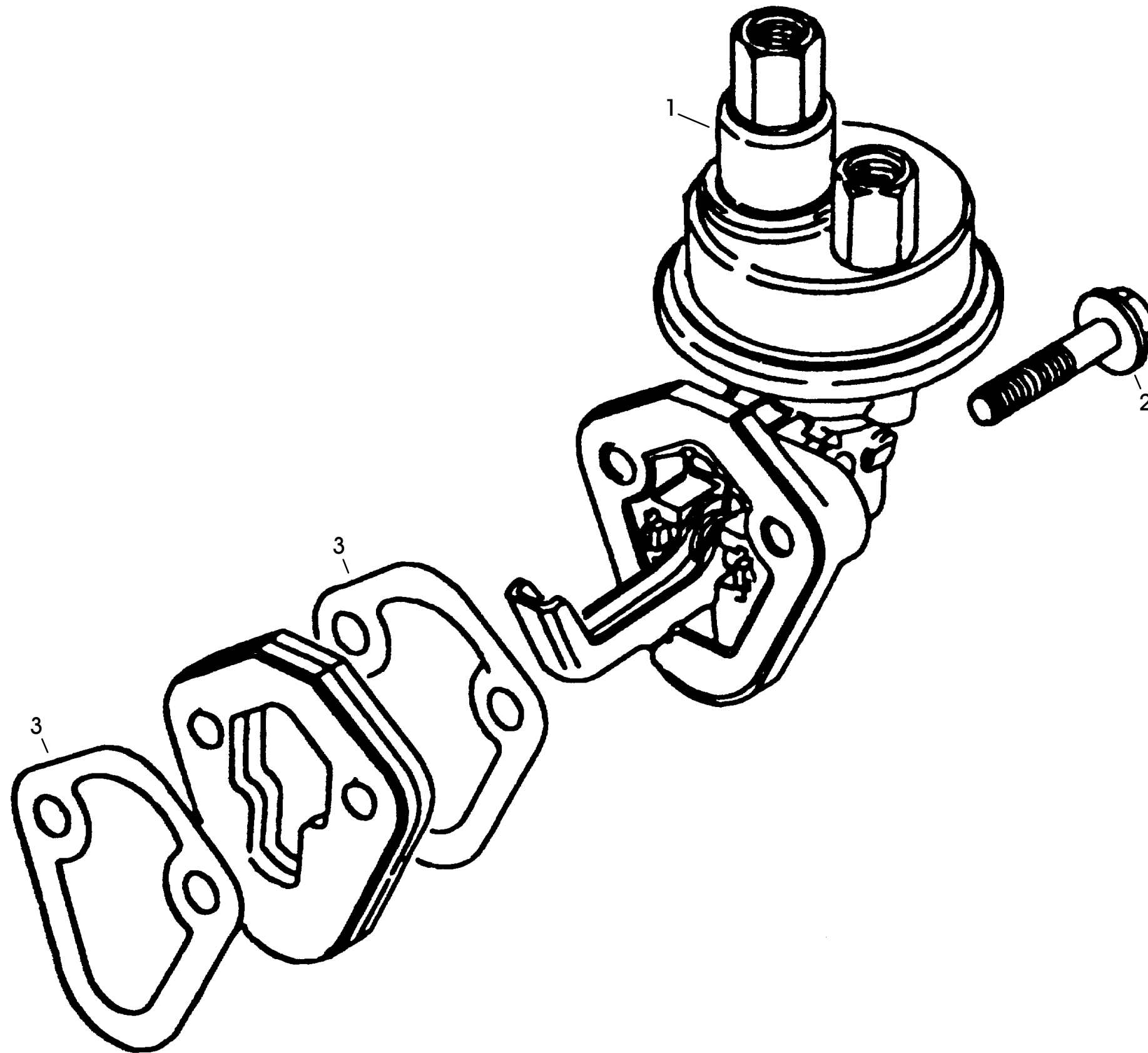


TEXT

___ 0077 ZPM1 R00000005 10008-1B14 AIR CLEANER MOUNTING (300TD)

ITEM	NSN	DESCRIPTION	QTY	GOR
___ 0000		10008-1B14	1	
___ 0001	9999-98-ASC-0002	NOT PROVIDED (Bracket Mounting, U1030, ERR2850)	1	F
___ 0002	9999-98-ASC-0002	NOT PROVIDED (Screw Flanged, U1030, FS108161)	1	F
___ 0003	9999-98-ASC-0002	NOT PROVIDED (Strut Air Cleaner Bracket, U1030, ERR28)	1	F
___ 0004	9999-98-ASC-0002	NOT PROVIDED (Screw Flanged, U1030, FS108201L)	1	F
___ 0005	9999-98-ASC-0002	NOT PROVIDED (Rear Mounting Bracket, U1030, NRC2089)	1	F
___ 0006	9999-98-ASC-0002	NOT PROVIDED (Nut Flanged, U1030, FN106047L)	4	F
___ 0007	9999-98-ASC-0002	NOT PROVIDED (Clip Pipe, U1030, ESR1373)	1	F
___ 0008	9999-98-ASC-0002	NOT PROVIDED (Nut Flanged, U1030, FN108041)	1	F
___ 0009	9999-98-ASC-0002	NOT PROVIDED (Mounting Rubber, U1030, ERR2337)	4	F
___ 0010	9999-98-ASC-0002	NOT PROVIDED (Strap Air Cleaner, U1030, ERR4688)	2	F

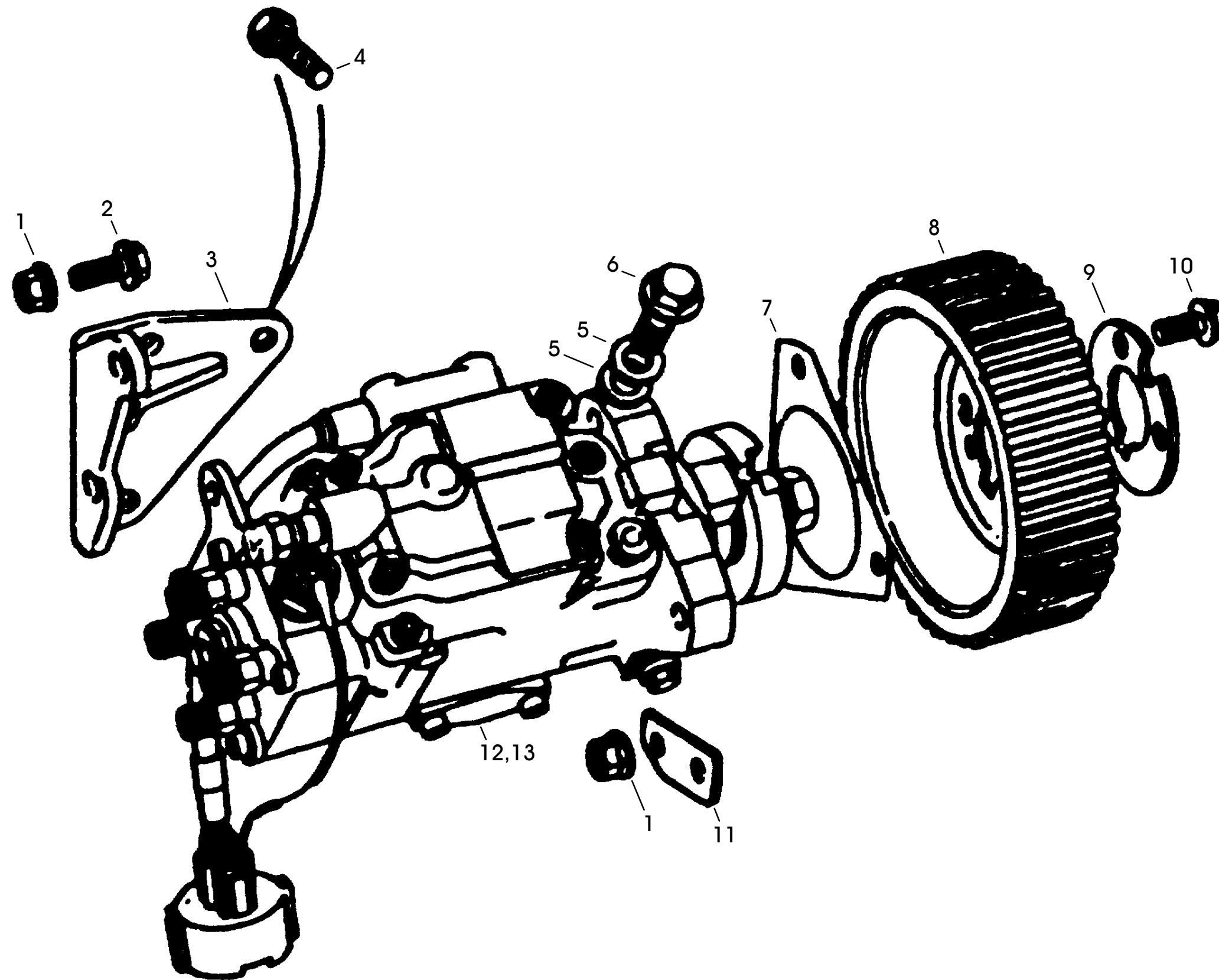
1G14 FUEL LIFT PUMP (300 TDi)



TEXT

|__ 0080 ZPM1 R00000050 10008-1H14 FUEL LIFT PUMP (300TDi)

	ITEM	NSN	DESCRIPTION	QTY	GOR
	__ 0000		10008-1H14	1	
	__ 0001	2910-99-008-0827	PUMP,FUEL,CAM ACTUATED:U/W 300 TDI Land Rover, 300TDi engine	1	U
	__ 0002	9999-98-ASC-0002	NOT PROVIDED (Screw Flange, U1030, FS108301)	2	F
	__ 0003	5330-99-740-6512	GASKET fuel lift pump, Land Rover, 300TDi engin	2	U

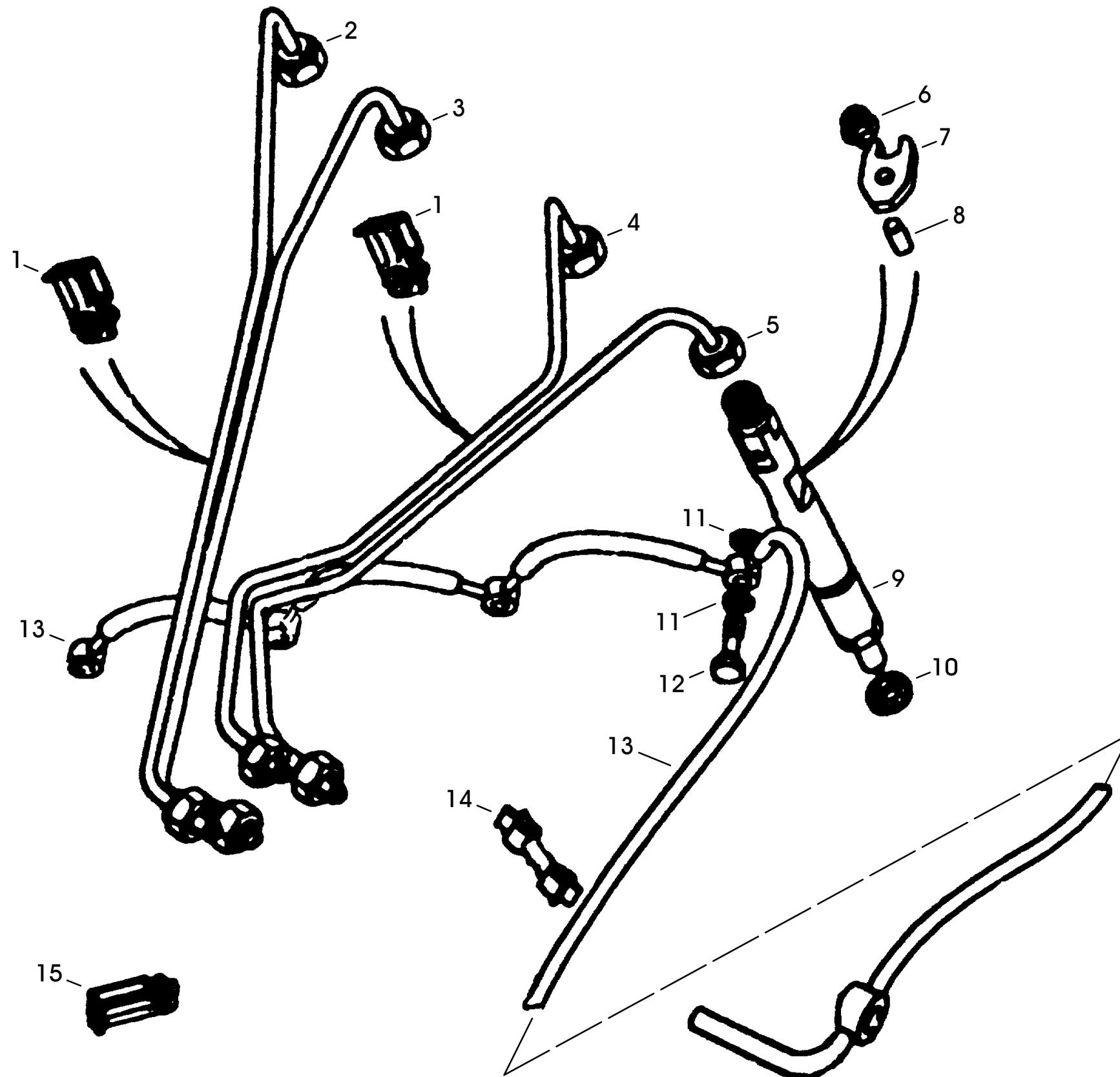


TEXT

___ 0081 ZPM1 R00000066 10008-1J14 INJECTION PUMP (300TDi)

ITEM	NSN	DESCRIPTION	QTY	GOR
___ 0000		10008-1J14	1	
___ 0001	9999-98-ASC-0002	NOT PROVIDED (Nut Flanged, U1030, FN108041)	5	F
___ 0002	9999-98-ASC-0002	NOT PROVIDED (Screw Flanged, U1030, FS108201)	2	F
___ 0003	9999-98-ASC-0002	NOT PROVIDED (Bracket FIE, U1030, ERR4725)	1	F
___ 0004	9999-98-ASC-0002	NOT PROVIDED (Bolt Flanged, U1030, FB108101)	3	F
___ 0005	9999-98-ASC-0002	NOT PROVIDED (Washer Cooper, U1030, ERR894)	2	F
___ 0006	9999-98-ASC-0002	NOT PROVIDED (Bolt Banjo, U1030, ERR886)	1	F
___ 0007	9999-98-ASC-0002	NOT PROVIDED (Gasket, U1030, ERR2023)	1	F
___ 0008	9999-98-ASC-0002	NOT PROVIDED (Pulley, U1030, ERR3545)	1	F
___ 0009	9999-98-ASC-0002	NOT PROVIDED (Plate Retaining Pulley, U1030, ERR2216)	1	F
___ 0010	9999-98-ASC-0002	NOT PROVIDED (Screw Flanged, U1030, FS108161L)	3	F
___ 0011	9999-98-ASC-0002	NOT PROVIDED (Bracket, U1030, ERC9404)	1	F
___ 0012	9999-98-ASC-0002	NOT PROVIDED (Pump Fuel Injection, U1030, ERR4419)	1	F
___ 0013	9999-98-ASC-0002	NOT PROVIDED (Switch Fuel Cut Off, U1030, RTC6702)	1	F

1K14 INJECTORS AND PIPES (300 TDi)

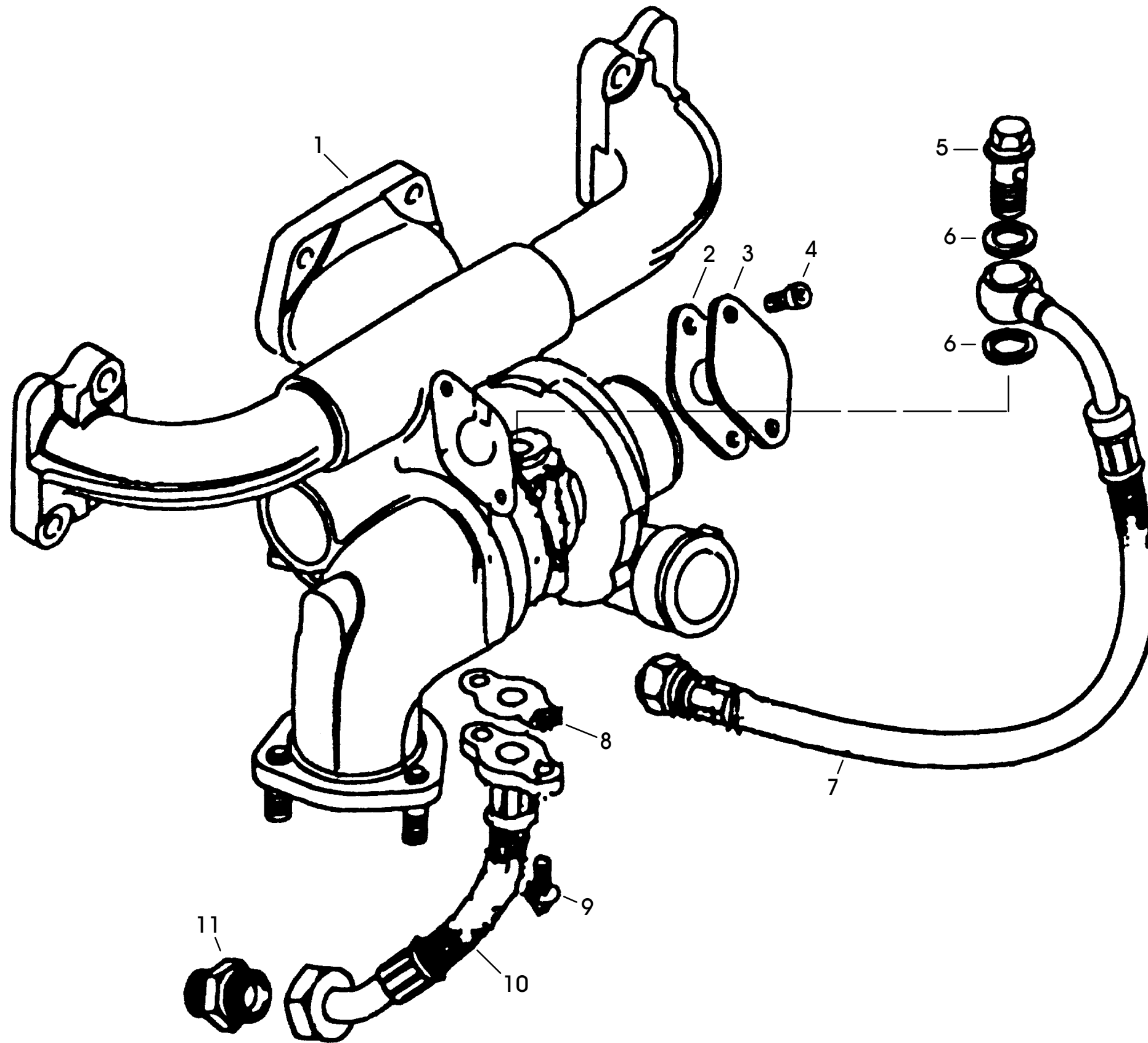


TEXT

0082 ZPM1 R00000081 10008-1L14 INJECTORS & PIPES (300TDi)

ITEM	NSN	DESCRIPTION	QTY	GOR
0000		10008-1L14	1	
0001	9999-98-ASC-0002	NOT PROVIDED (Clip 2 Pipes, U1030, STC1739)	2	F
0002	9999-98-ASC-0002	NOT PROVIDED (Pipe Injectors No.4, U1030, STC1697)	1	F
0003	9999-98-ASC-0002	NOT PROVIDED (Pipe Injectors No.3, U1030, STC1696)	1	F
0004	9999-98-ASC-0002	NOT PROVIDED (Pipe Injectors No.2, U1030, STC1695)	1	F
0005	9999-98-ASC-0002	NOT PROVIDED (Pipe Injectors No.1, U1030, STC1694)	1	F
0006	9999-98-ASC-0002	NOT PROVIDED (Nut, U1030, FN108041)	4	F
0007	9999-98-ASC-0002	NOT PROVIDED (Clamp Injection, U1030, ERR3780)	4	F
0008	9999-98-ASC-0002	NOT PROVIDED (Pin Injector Clamp, U1030, ERR3468)	4	F
0009	2910-99-820-3241	INJECTOR ASSEMBLY	4	U
0010	5310-99-197-3955	WASHER, SEAL, INJECTOR	4	U
0011	9999-98-ASC-0002	NOT PROVIDED (Washer Cooper, U1030, 232042)	8	F
0012	9999-98-ASC-0002	NOT PROVIDED (Bolt Banjo 6mm, U1030, ERR1200)	4	F
0013	2815-99-902-6802	SPILL RETURN ASSEMBLY Land Rover, 300TDi engine	1	U
0014	9999-98-ASC-0002	NOT PROVIDED (Clip Pipe, U1030, DCP7348L)	1	F
0015	9999-98-ASC-0002	NOT PROVIDED (Clip 4 Pipes, U1030, STC1738)	2	F

1M14 TURBOCHARGER (300 TDi)

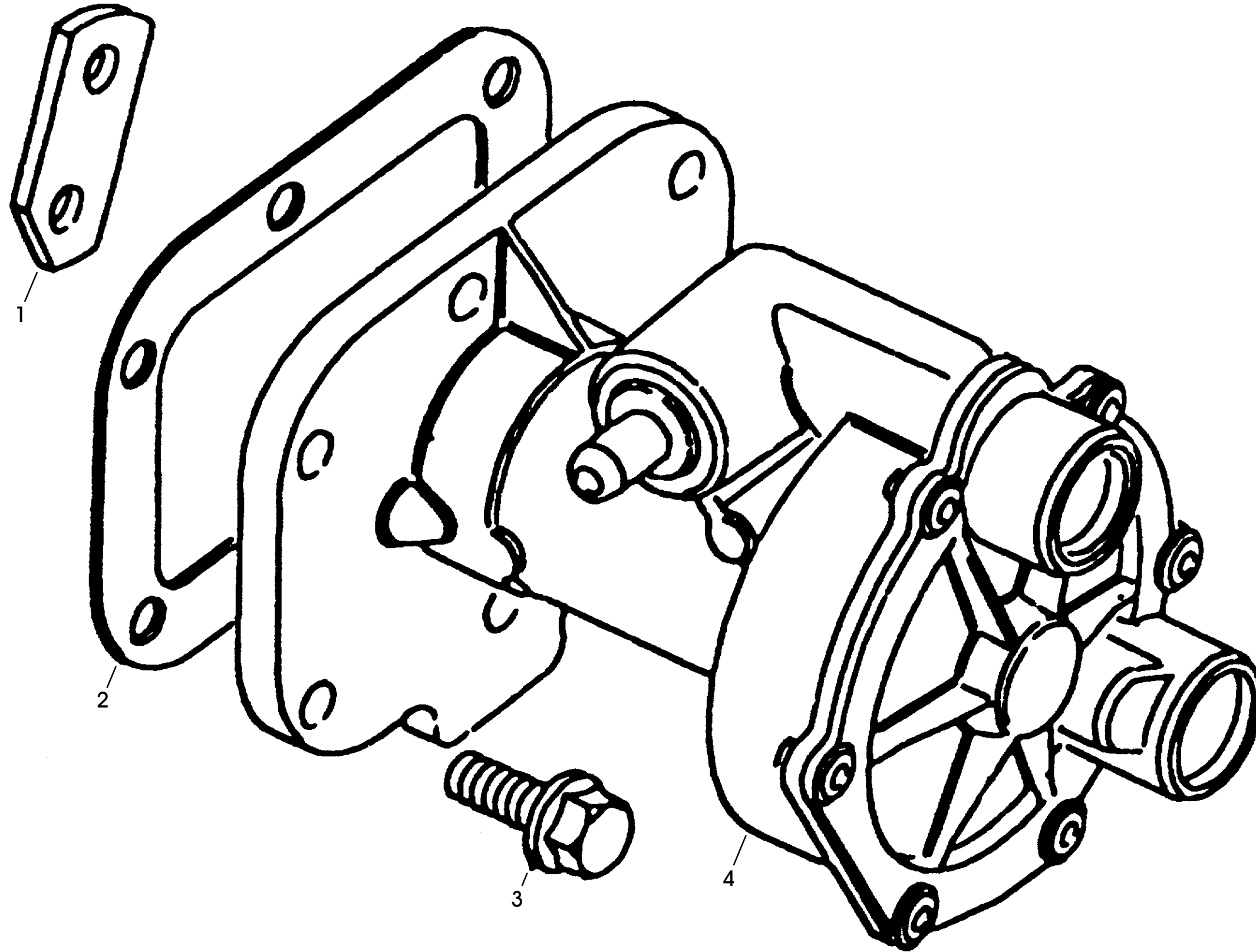


TEXT

___ 0083 ZPM1 R00000096 10008-1N14 TURBOCHARGER (300TDi)

ITEM	NSN	DESCRIPTION	QTY	GOR
___ 0000		10008-1N14	1	
___ 0001	2950-99-500-3534	EXHAUST MANIFOLD	1	F
___ 0002	9999-98-ASC-0002	NOT PROVIDED (Gasket Blanking Plate, U1030, ERR4852)	1	F
___ 0003	9999-98-ASC-0002	NOT PROVIDED (Plate Blanking Turbo, U1030, ERR4698)	1	F
___ 0004	9999-98-ASC-0002	NOT PROVIDED (Screw Socket, U1030, SS108201)	2	F
___ 0005	9999-98-ASC-0002	NOT PROVIDED (Bolt Banjo Oil Feed, U1030, ERR1125)	1	F
___ 0006	9999-98-ASC-0002	NOT PROVIDED (Washer Joint, U1030, FRC4808)	2	F
___ 0007	9999-98-ASC-0002	NOT PROVIDED (Pipe Turbo Oil Feed, U1030, ERR4894)	1	F
___ 0008	9999-98-ASC-0002	NOT PROVIDED (Gasket Oil Drain Pipe, U1030, ERR2109)	1	F
___ 0009	9999-98-ASC-0002	NOT PROVIDED (Screw Flanged, U1030, FS108201L)	2	F
___ 0010	9999-98-ASC-0002	NOT PROVIDED (Pipe Oil Drain, U1030, ERR4895)	1	F
___ 0011	9999-98-ASC-0002	NOT PROVIDED (Adaptor Oil Drain, U1030, ERR335)	1	F

1A15 VACUUM PUMP (300TDi)

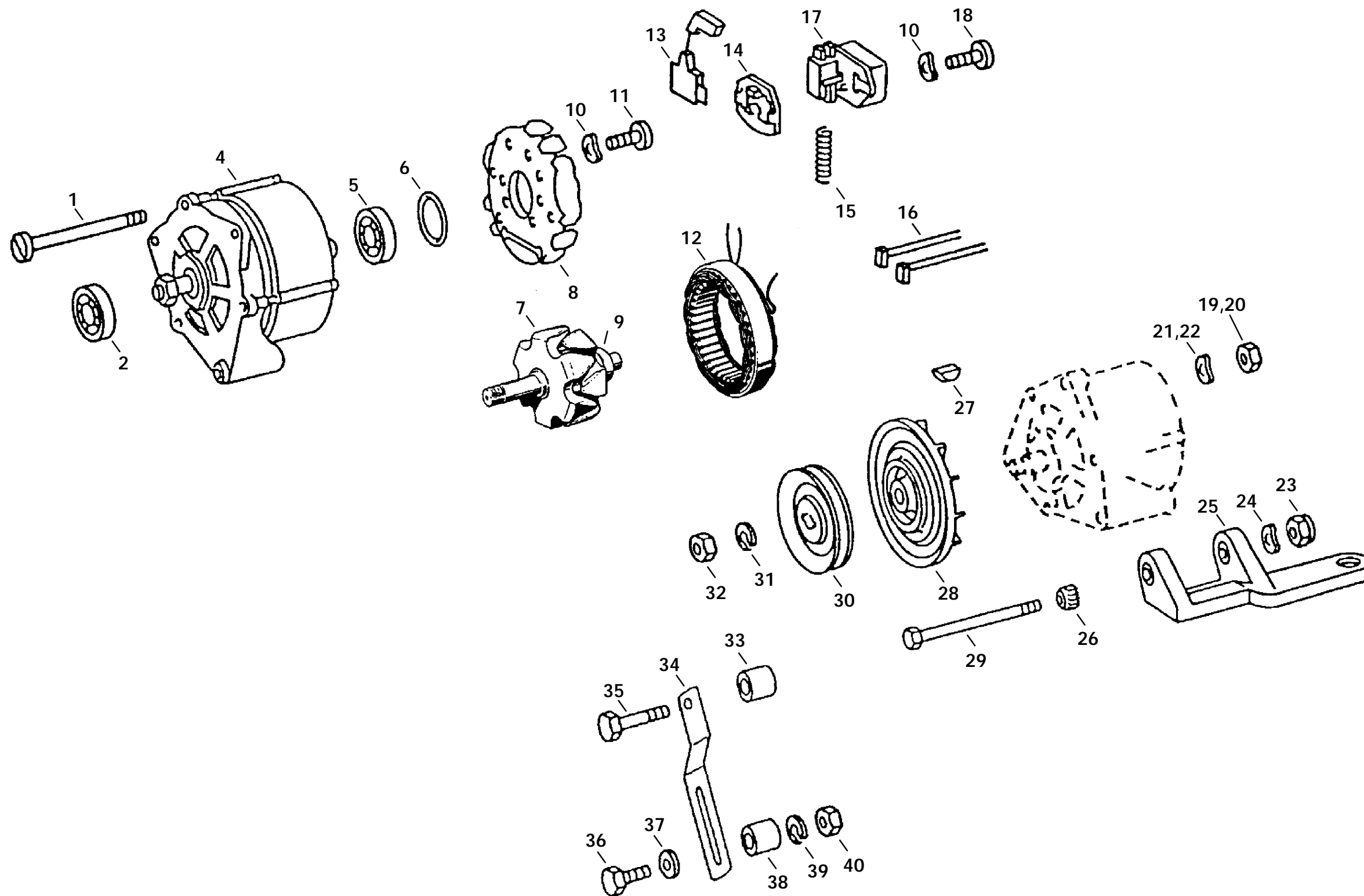


TEXT

|__ 0084 ZPM1 R00000006 10008-1B15 VACUUM PUMP (300TDi)

	ITEM	NSN	DESCRIPTION	QTY	GOR
	__ 0000		10008-1B15	1	
	__ 0001	9999-98-ASC-0002	NOT PROVIDED (Bracket Mounting, U1030, ERC9404)	1	F
	__ 0002	9999-98-ASC-0002	NOT PROVIDED (Gasket Vacuum Pump, U1030, ERR2027)	1	F
	__ 0003	9999-98-ASC-0002	NOT PROVIDED (Screw Flanged, U1030, FS108201)	5	F
	__ 0004	9999-98-ASC-0002	NOT PROVIDED (Pump Vacuum, U1030, ERR3539)	1	F

1C15 ALTERNATOR (300TDi) (UNIMOG)

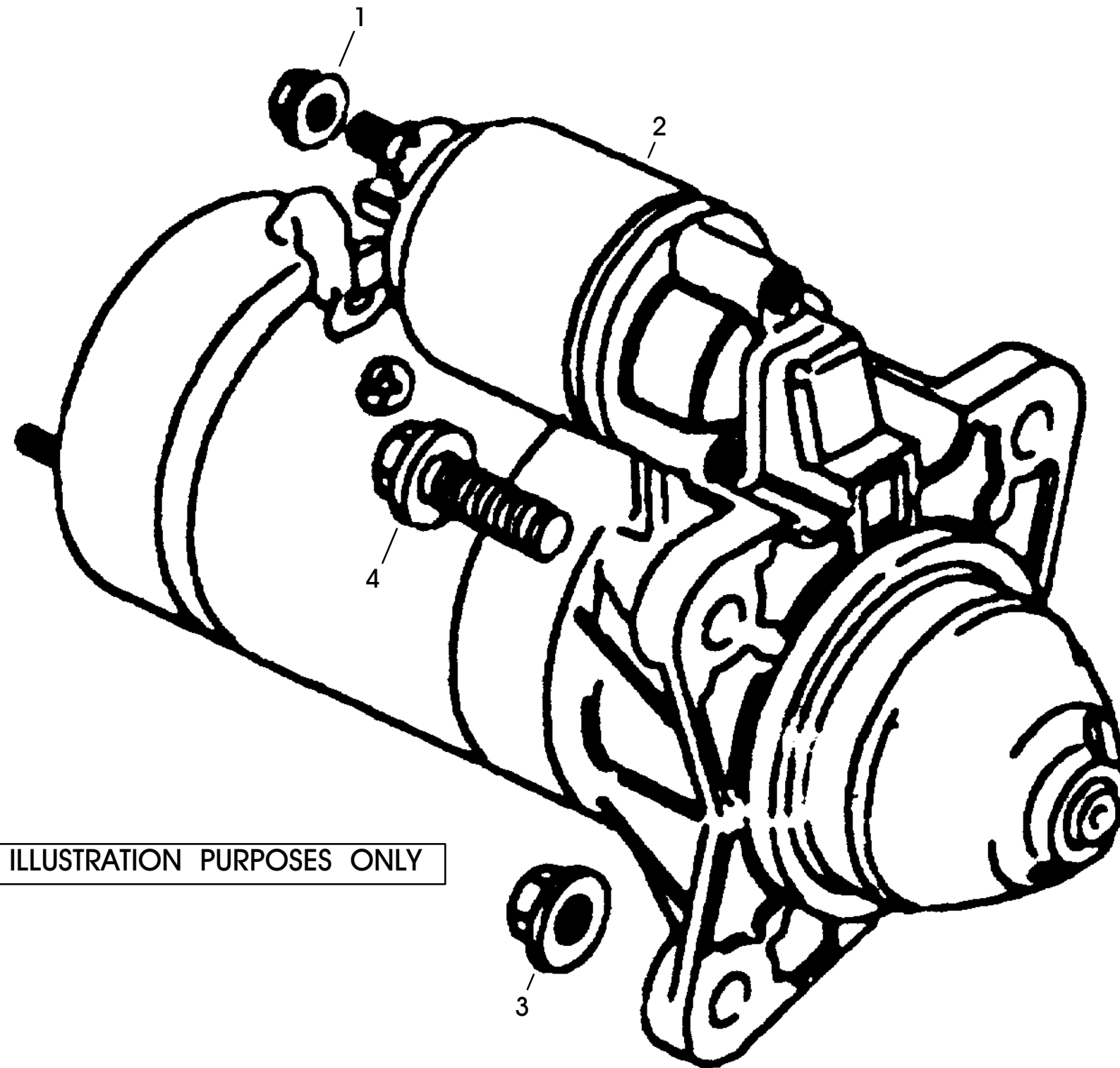


ITEM(S) NOT ILLUSTRATED

0085 ZPM1 R00000021 10008-1D15 ALTERNATOR (300TD)

ITEM	NSN	DESCRIPTION	QTY	GOR
0000		10008-1C15	1	
0001	5305-12-316-0408	SCREW,MACHINE:M5x116	4	F
0002	3110-12-175-2949	BEARING,BALL,ANNULAR	1	F
0003	2920-12-192-7750	PARTS KIT,ELECTRICAL ENGINE STARTER	1	F
0004	2920-12-194-1219	ALTERNATOR,ENGINE w/rgltr inc, less pul, 24V, 55A	1	U
0005	3110-12-186-5497	BEARING,BALL,ANNULAR w/rgltr incl, less pulley, 24v, 55A	1	U
0006	5331-12-193-5803	PACKING,O-RING 31.5 x 35.06 x 1.78mm thk	1	F
0007	2920-12-318-4186	ROTOR,ALTERNATOR f/1700 alternator	1	F
0008	5961-12-316-2364	ASSEMBLY,RECTIFIER	1	F
0009	2920-12-197-4263	RING,ELECTRICAL CONTACT	1	F
0010	5310-12-142-8168	WASHER,SPRING	7	F
0011	5305-12-171-9544	SCREW,MACHINE:M4x25 M4x25	5	F
0012	2920-12-318-4187	STATOR,ENGINE ALTERNATOR	1	F
0013	5910-12-176-2554	CAPACITOR, FIXED	1	F
0014	2920-12-176-1744	GASKET	1	F
0015	5360-12-191-7921	SPRING,HELICAL,COMPRESSION 6mm od, 38mm free lg, 0.4mm wire dia,stil	2	F
0016	5977-12-177-4579	BRUSH SET,ELECTRICAL CONTACT	1	F
0017	2920-12-192-7751	REGULATOR,ENGINE ALTERNATOR	1	F
0018	5305-12-196-6457	SCREW,MACHINE:M4x18 M4-0.7p, 18mm lg, fil hd, cross rec dr	2	F
0019	5310-12-156-4990	NUT,PLAIN,HEXAGON,M5-0.8p M5-0.8p, stil, zn pld (TERMINAL:W)	1	U
0020	5310-12-156-4991	NUT, PLAIN, HEXAGON, M6-1p M6-1.0p, stil, zn pld (TERMINAL:B+)	1	U
0021	5310-12-153-7174	WASHER,SPRING:M5 M5 (TERMINAL:W)	1	U
0022	5310-12-153-7829	WASHER,SPRING:M6 M6 (TERMINAL:B+)	1	U
0023	5310-12-146-8397	NUT,SELF-LOCKING,HEXAGON,M10-1.5p M10-1.5p, stil, zn pld	1	U
0024	5310-12-142-8161	WASHER,SPRING, M10 M10, stil, zn pld	1	U
0025	2920-12-179-3284	BRACKET,ENGINE ACCESSORY	1	U
0026	5340-12-194-0316	MOUNT,RESILIENT	2	U
0027	5315-12-156-4671	KEY,WOODRUFF 12.65mm dia, 4mm thk, 5mm high, stil (ALSO P/O KIT, ITEM 3)	1	U
0028	2920-12-174-1361	FAN	1	U
0029	5305-12-142-8200	SCREW,CAP,HEXAGON HEAD:M10x140 M10-1.5p, 140mm lg, stil, zn pld, 8.8	1	U
0030	3020-12-301-0491	PULLEY,SINGLE GROOVE	1	U
0031	5310-12-151-4843	WASHER,LOCK:M14 M14, 24mm od, 4mm thk, stil, zn pld (ALSO P/O KIT, ITEM 3)	1	U
0032	5310-12-170-1315	NUT,PLAIN,HEXAGON:M14 M14 (ALSO P/O KIT, ITEM 3)	1	U
0033	5365-12-172-9785	SPACER,SLEEVE 11mm id, 18mm od, 50mm lg	1	F
0034	5340-12-173-0887	BRACKET,DOUBLE ANGLE	1	U
0035	5305-12-198-8130	SCREW,CAP,HEXAGON HEAD:M10x75 M10, 75mm lg, stil, zn pld, 10.9	1	U
0036	5305-12-142-8229	SCREW,CAP,HEXAGON HEAD:M10x80 M10-1.5p, 80mm lg, stil, zn pld, 8.8	1	U
0037	5310-12-145-2243	WASHER,FLAT:M10 M10	1	U
0038	5365-12-301-2103	SPACER,SLEEVE	1	U
0039	5310-12-151-4235	WASHER,LOCK, M10 x 18 x 1.8mm M10, 18mm od, 1.8mm thk, zn pld	1	U
0040	5310-12-142-0623	NUT, PLAIN, HEXAGON, M10 M10, stil, zn pld	1	U
0041	3030-01-414-9551	ALTERNATOR DRIVE BELT	1	U

1E15 STARTER MOTOR (300TDi)



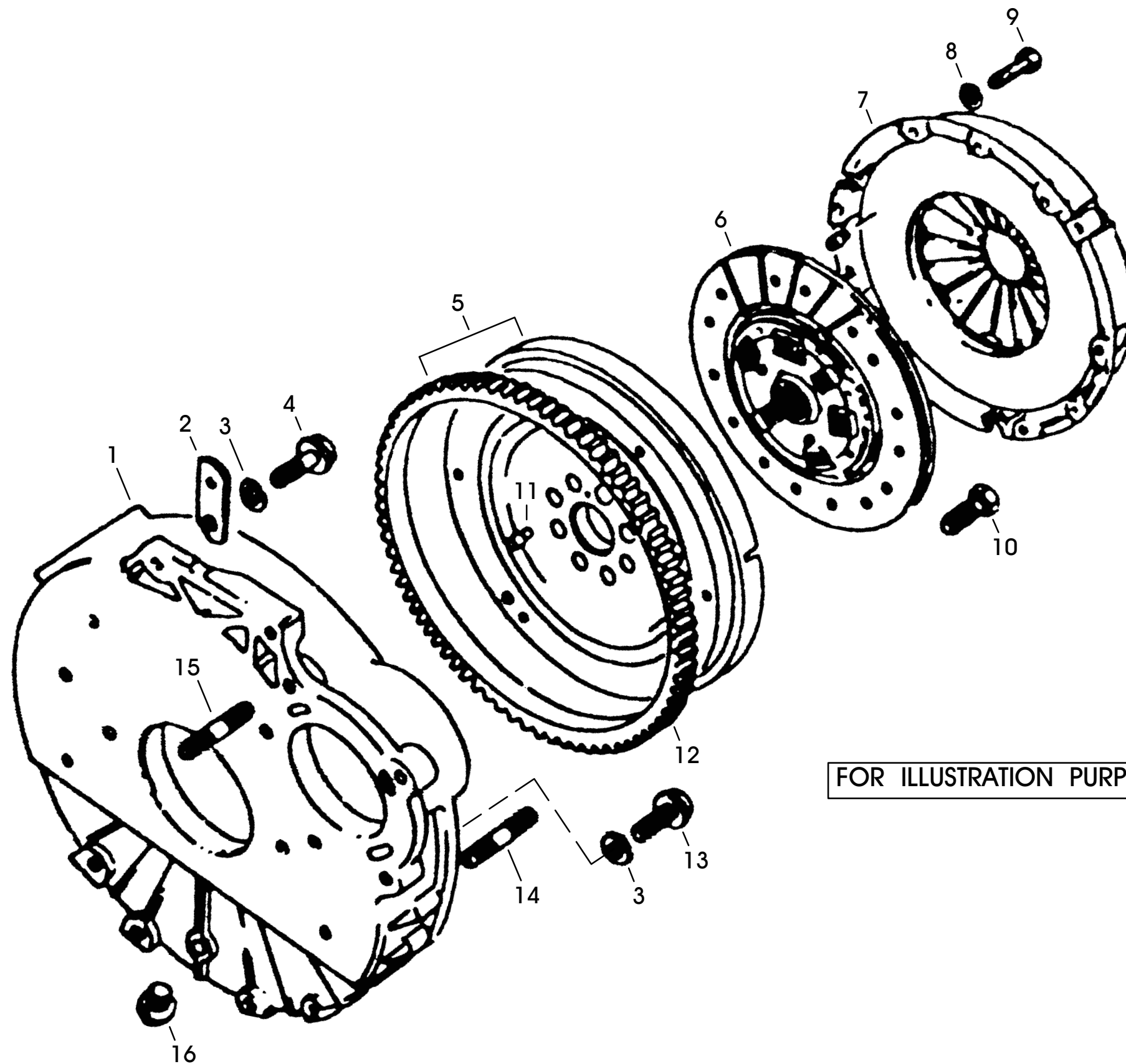
FOR ILLUSTRATION PURPOSES ONLY

TEXT

|__ 0086 ZPM1 R00000035 10008-1F15 STARTER MOTOR (300TDi)

	ITEM	NSN	DESCRIPTION	QTY	GOR
	__ 0000		10008-1F15	1	
	__ 0001	9999-98-ASC-0002	NOT PROVIDED	1	F
	__ 0002	2920-12-340-9761	STARTER, ENGINE, 24 VOLT ELECTRICAL 24V, Land Rover, 300TDi engine	1	U
	__ 0003	9999-98-ASC-0002	NOT PROVIDED	1	F
	__ 0004	9999-98-ASC-0002	NOT PROVIDED	1	F

1G15 FLYWHEEL AND CLUTCH (300 TDi)



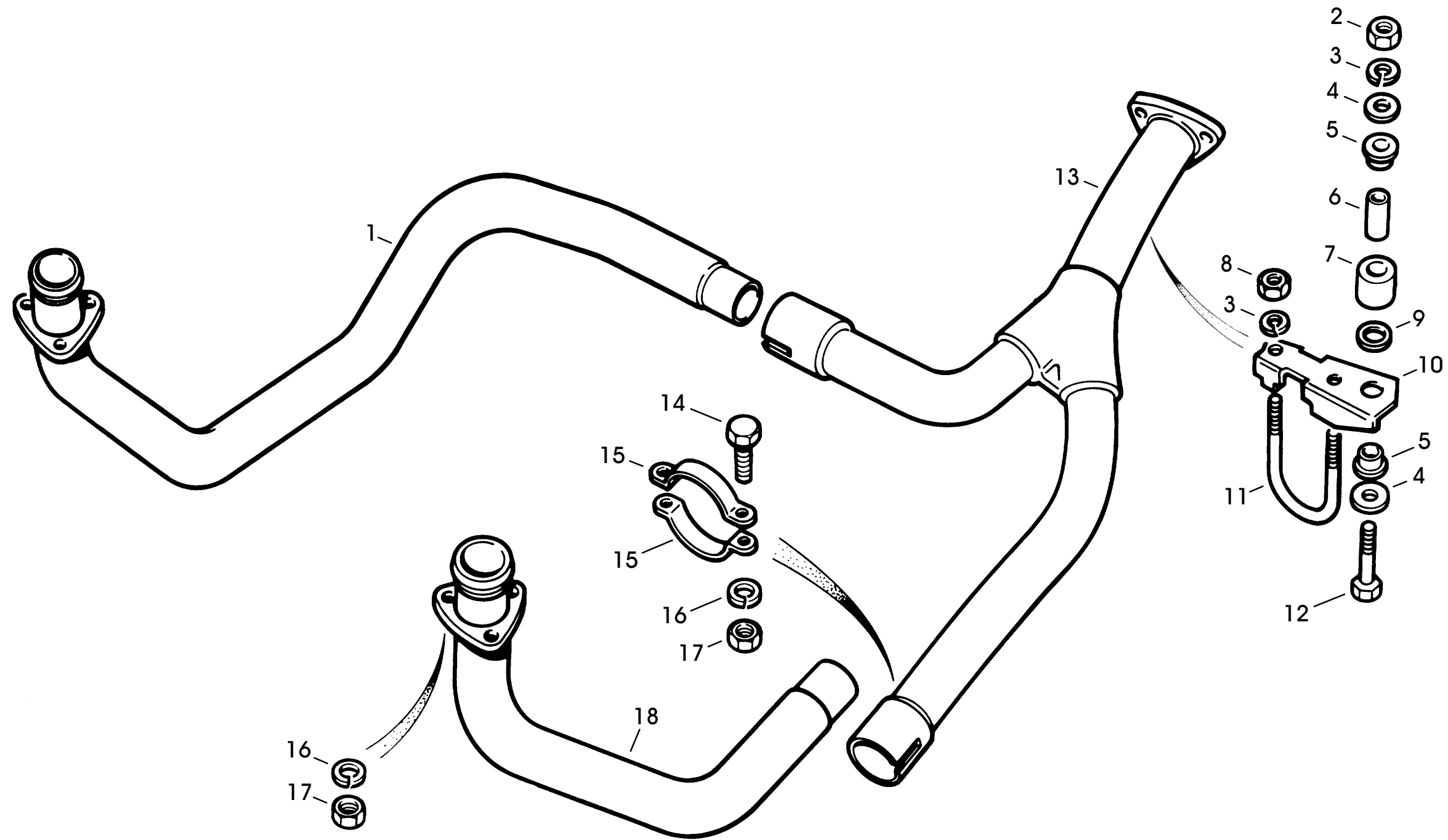
FOR ILLUSTRATION PURPOSES ONLY

TEXT

0087 ZPM1 R00000051 10008-1H15 FLYWHEEL & CLUTCH (300TDi)

ITEM	NSN	DESCRIPTION	QTY	GOR
0000		10008-1H15	1	
0001	9999-98-ASC-0002	NOT PROVIDED	1	F
0002	9999-98-ASC-0002	NOT PROVIDED	2	F
0003	9999-98-ASC-0002	NOT PROVIDED	2	F
0004	9999-98-ASC-0002	NOT PROVIDED	2	F
0005	9999-98-ASC-0002	NOT PROVIDED	1	F
0006	2520-99-825-8108	DISK, CLUTCH u/o LR diesel eng	1	F
0007	2520-99-256-1118	PLATE,PRESSURE,FRIC Land Rover, 300TDi, clutch diaphragm spr	1	F
0008	9999-98-ASC-0002	NOT PROVIDED	6	F
0009	9999-98-ASC-0002	NOT PROVIDED	6	F
0010	9999-98-ASC-0002	NOT PROVIDED	8	F
0011	9999-98-ASC-0002	NOT PROVIDED	3	F
0012	9999-98-ASC-0002	NOT PROVIDED	1	F
0013	9999-98-ASC-0002	NOT PROVIDED	6	F
0014	9999-98-ASC-0002	NOT PROVIDED	1	F
0015	9999-98-ASC-0002	NOT PROVIDED	13	F
0016	9999-98-ASC-0002	NOT PROVIDED	1	F

1A16 EXHAUST DOWNPIPES

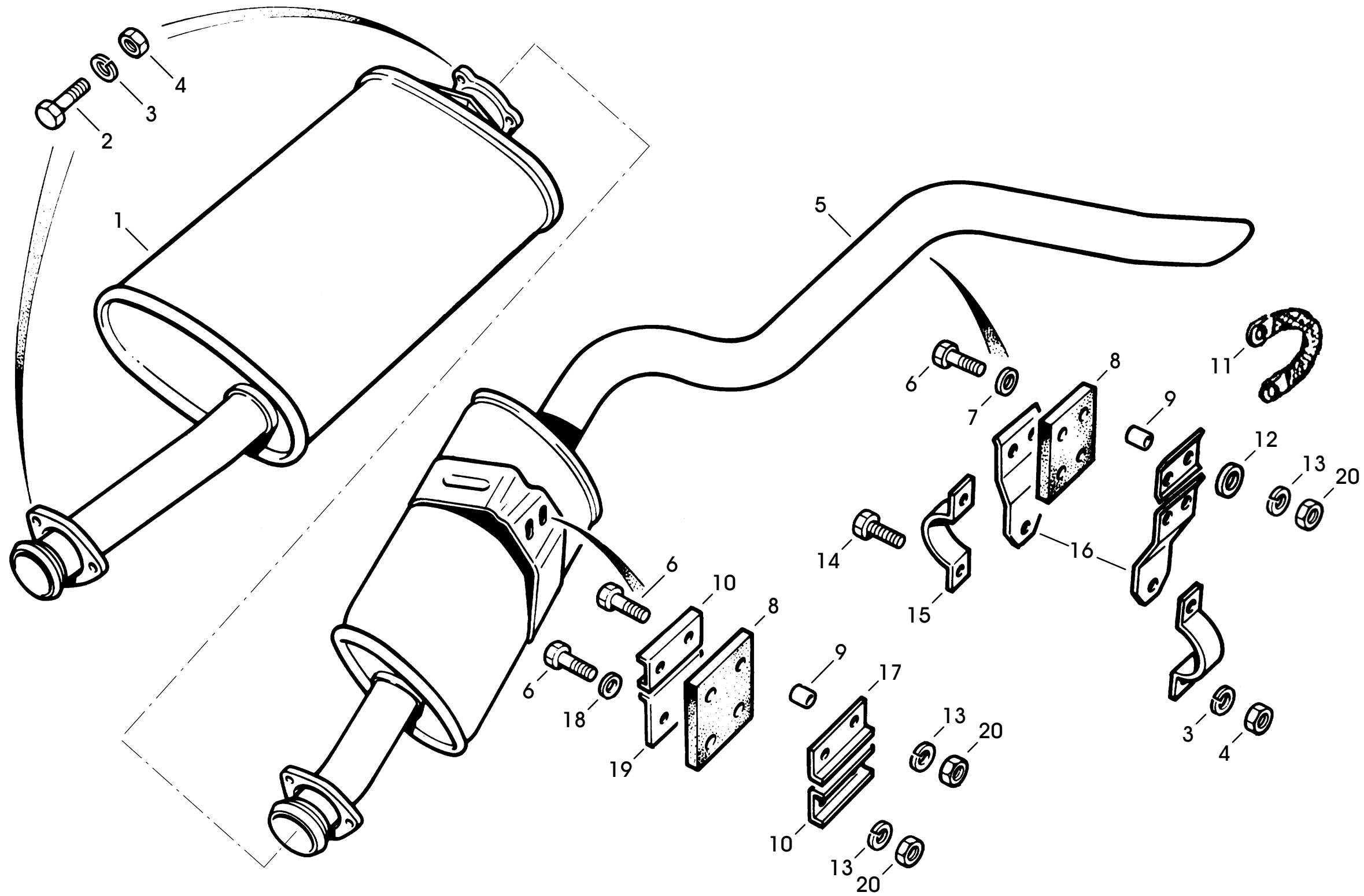


TEXT

0088 ZPM1 R0000007 10008-1B16 EXHAUST DOWN PIPES

ITEM	NSN	DESCRIPTION	QTY	GOR
0000		10008-1B16	1	
0001	2990-98-856-3535	PIPE,EXHAUST:DOWNPIPE ASSY RH,V8 LANDROV	1	U
0002	5310-99-122-5495	NUT,SELF-LOCKING. USE 5310-12-145-5638 M6, nyloc, zn pld	1	U
0003	5310-99-138-9227	WASHER, LOCK, M8 x 13 x 2mm thk 8mm id, 12.750mm od, 2mm thk, sp hlcl ri	3	U
0004	2520-99-796-5406	PLAIN WASHER	1	U
0005	5365-99-825-6084	BUSHING,RUBBER	2	U
0006	5365-99-825-6087	SPACER,SLEEVE	1	U
0007	5365-99-825-6086	BUSHING,RUBBER	1	U
0008	5310-99-122-5296	NUT,PLAIN,HEXAGON M8 - 1.25p, stl, zn pld, 8.8	2	U
0009	5330-99-825-6085	GASKET	2	U
0010	2990-99-796-5397	PLATE,CLAMPING,EXHA	1	U
0011	5306-99-796-7492	BOLT,U	1	U
0012	5305-99-630-0095	SCREW,MACHINE	1	U
0013	2990-99-825-6081	PIPE,EXHAUST branched	1	U
0014	5306-99-941-0300	BOLT,MACHINE:UNF,0.312-24,2A,ST,ZINK PLD	4	U
0015	5340-99-824-6607	STRAP,RETAINING	4	U
0016	5310-99-941-6655	WASHER,LOCK,0.335-in id,0.503-in od,0.07 0.335-in id, 0.503-in od, 0.078-in thk s	10	U
0017	5310-99-941-0925	NUT,PLAIN,HEXAGON, UNF 0.312 UNF, 0.312-in, 0.500-in A/F, stl, zn pld	10	U
0018	2990-98-856-3534	PIPE,EXHAUST:P/O LH EXHAUST ASSY,V8 LAND	1	U

1C16 EXHAUST SILENCERS

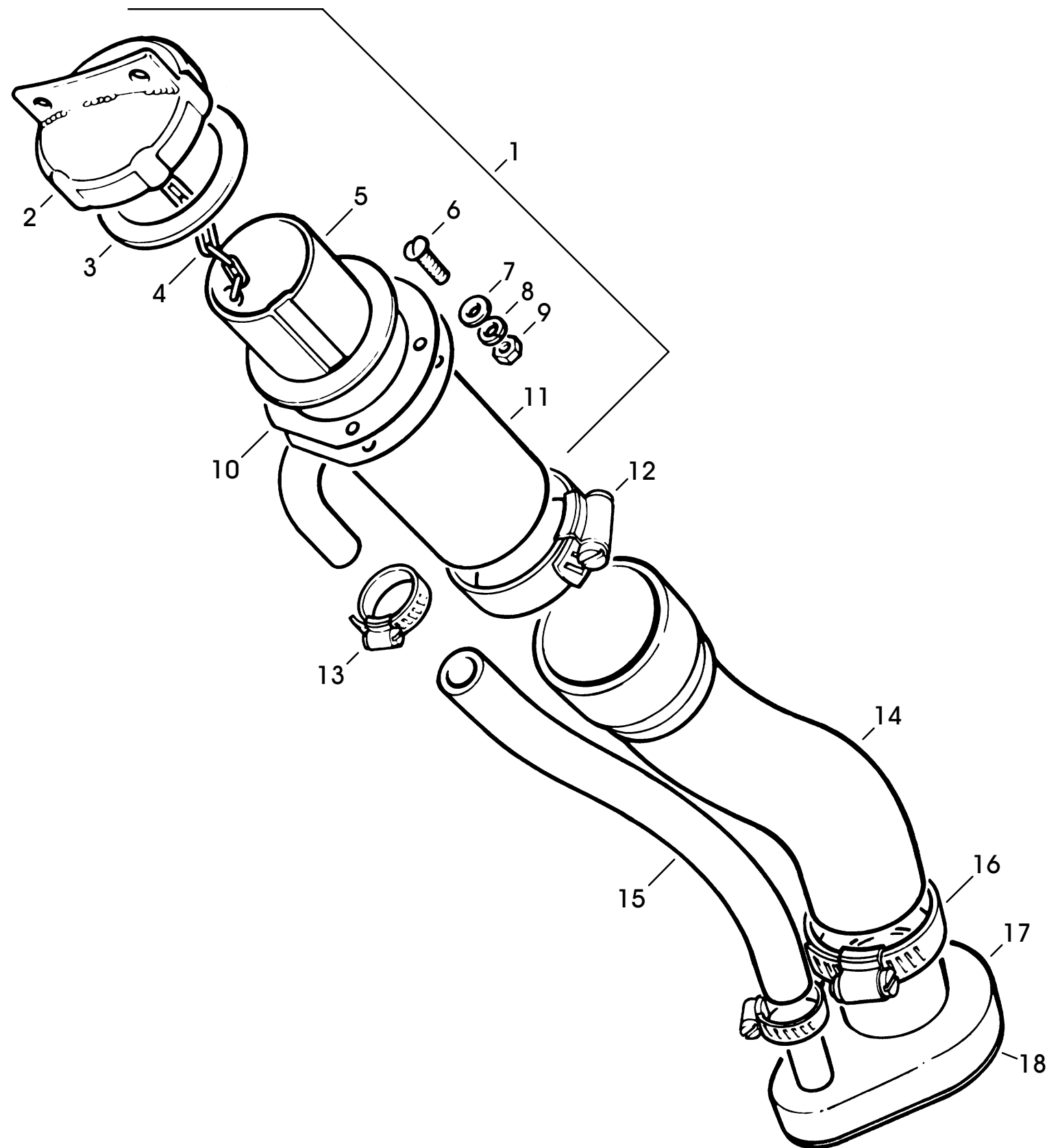


TEXT

0089 ZPM1 R00000022 10008-1D16 EXHAUST SILENCERS

ITEM	NSN	DESCRIPTION	QTY	GOR
0000		10008-1D16	1	
0001	2990-98-856-0460	SILENCER ASSEMBLY,	1	U
0002	5305-99-122-5254	SCREW, HEXAGON HEAD, M8 x 40mm lg M8 x 40mm lg	6	U
0003	5310-99-138-9227	WASHER, LOCK, M8 x 13 x 2mm thk 8mm id, 12.750mm od, 2mm thk, sp hcl ri	8	U
0004	5310-99-122-5296	NUT,PLAIN,HEXAGON M8 - 1.25p, stl, zn pld, 8.8	8	U
0005	2990-98-204-4061	MUFFLER, EXHAUST V8 LANDROVER substitute for 98-856-0461, f/LR	1	U
0006	5305-99-941-0280	SCREW,MACHINE:UNF,0.25-28,2A,STEEL,ZINC UNF, 0-250-in - 28, 1-in lg, stl, hex hd	8	U
0007	5310-99-754-3600	PLAIN WASHER:MFR U1030-MRC5525	4	U
0008	5340-99-822-2280	MOUNT,RESILIENT	2	U
0009	5365-99-850-0876	SPACER,SLEEVE:STEEL,SOLID,0.279IN.ID,0.3	8	U
0010	5340-99-850-0873	STRAP, RETAINING	3	U
0011	2990-99-850-0922	LEAD,BONDING,TAIL P	1	U
0012	5310-99-849-8006	WASHER,FLAT:0.265-in id,0.750-in od stl, zn pld, 0.265-in id, 0.750-in od, 0	2	U
0013	5310-99-137-9232	WASHER,LOCK M6, 9.6mm o/d, 1.5mm thk, stl, zn pld	8	U
0014	5305-99-122-5367	SCREW,MACHINE M8-1.25p, 25mm lg, stl, zn pld, 8.8	2	U
0015	5340-99-818-9088	STRAP, RETAINING:	2	U
0016	5340-99-820-7958	PLATE,FLEX1BLE MOUN	1	U
0017	2990-99-850-0881	PACKING PIECE	1	U
0018	5310-99-122-3411	WASHER,FLAT:6.4MM MIN,6.7MM MAX ID,12.1M stl, 6.7mm id, 12.5mm od, 1.6mm thk	4	U
0019	2990-99-850-0896	PACKING PIECE	1	U
0020	5310-99-122-5295	NUT,PLAIN,HEXAGON:ISO M,6X1,STEEL,ZINC P M6 - 1p, stl, zn pld, gr 8	8	U

1E16 FRONT FUEL TANK FILLER

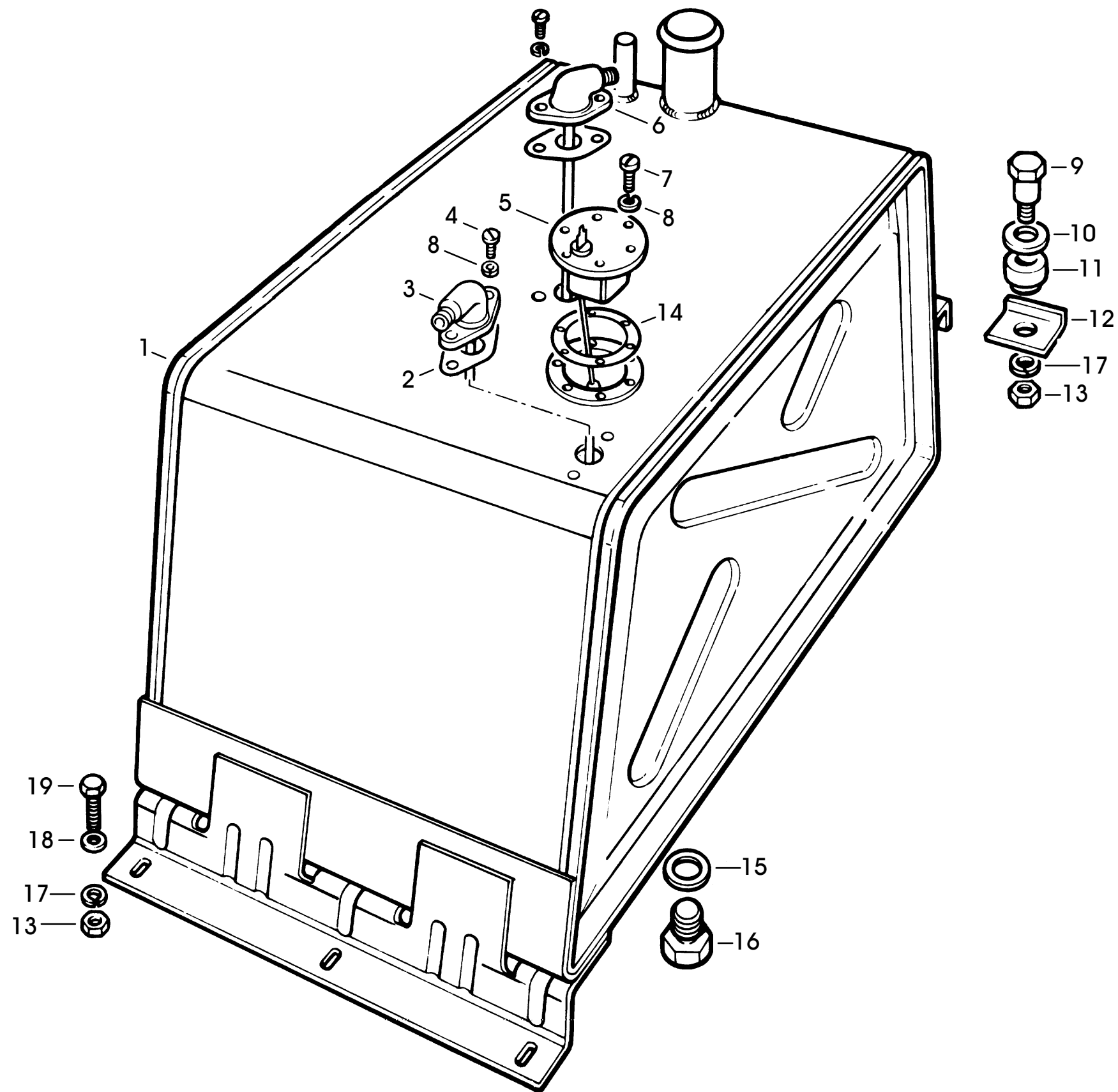


TEXT

0090 ZPM1 R00000036 10008-1F16 FRONT FUEL TANK FILLER

ITEM	NSN	DESCRIPTION	QTY	GOR
0000		10008-1F16	1	
0001	2910-99-850-0580	FILLER NECK COMPLETE ASSEMBLY V8 ROVER	1	F
0002	2590-99-850-1766	CAP,FILLER,PETROL T	1	U
0003	2910-99-850-0599	WASHER,JOINT,PETROL	1	U
0004	5340-99-895-1809	CHAIN ASSEMBLY,SING	1	U
0005	2910-99-850-0595	EXTENSION TUBE, * WSE USE 99-850-0580 * (WSE USE NHA ITEM 1)	1	U
0006	5305-99-941-9194	SCREW,MACHINE:BA,2X0.81,NORMAL,STEEL,CD	4	F
0007	5310-99-941-6866	WASHER,FLAT,BA No2 bolt size,0.5-in od, stl, rd, cd pld, rd hole, No2 BA bolt si	4	F
0008	5310-99-941-6653	WASHER,LOCK,0.330-in od,0.188-in nom stl, 0.330-in od, 0.188-in nom blt size,	4	F
0009	5310-99-941-7070	NUT,PLAIN,HEXAGON:BA,2-0.81,FINISHED-CHA BA, 2 - 0.81, fin cham, stl, cd pld, w/c	4	F
0010	5330-99-850-0589	GASKET:SYNTHETIC RUBBER,3.437IN.DIA APER	1	F
0011	2910-99-850-0596	FILLER TUBE, PETROL TANK (NO LONGER PROCURABLE, USE ITEM 1)	1	F
0012	4730-99-788-7622	CLAMP, HOSE f/LR	1	U
0013	4730-99-533-2957	CLAMP:STL,ZN FIN,I/DIA 11/16MM,13MM WD stl, zn pld, 0.500 - 0.625-in id band ty	2	U
0014	2930-99-874-1913	HOSE,PREFORMED	1	U
0015	2910-99-874-1914	HOSE,BREATHER,PETRO	1	U
0016	4730-99-420-3230	CLAMP,HOSE:STEEL BAND BS1449-EN2C,STEEL stl, zn pld, 1.500 - 2.125-in id	1	U
0017	5330-99-850-0593	GASKET:PLASTIC POLYURETHANE (FINE POROUS (RUBBER, TANK TO PIPE)	1	U
0018	5330-99-850-0597	GASKET:PLASTIC,1HOLE 1 1/2IN.DIA & 1HOLE (PLASTIC)	1	U

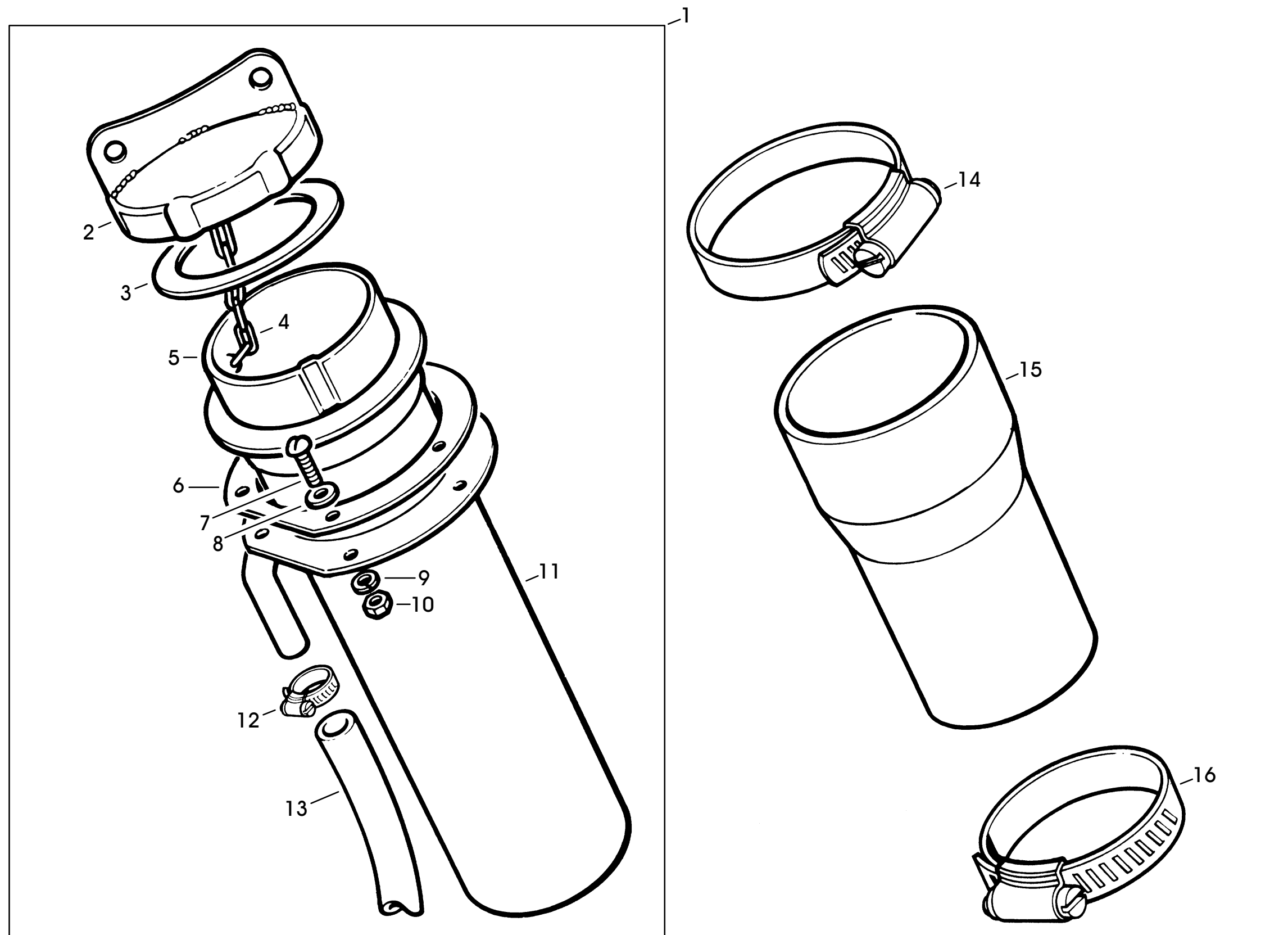
1G16 FRONT FUEL TANK



TEXT

0091 ZPM1 R0000052 10008-1H16 FRONT FUEL TANK

ITEM	NSN	DESCRIPTION	QTY	GOR
0000		10008-1H16	1	
0001	2910-99-805-8621	TANK,FUEL,ENGINE	1	U
0002	5330-99-850-0558	GASKET:CORK & SYNTHETIC RUBBER,K1641-NEO	2	U
0003	2910-99-805-8674	ELBOW,TANK,FUEL,ENG (RETURN)	1	U
0004	5305-99-121-1444	SCREW MACHINE	4	U
0005	6680-99-804-9852	TRANSMITTER,LIQUID	1	U
0006	2910-99-758-3390	ELBOW,FUEL FEED	1	U
0007	5305-99-101-4416	SCREW MACHINE	6	U
0008	5310-99-941-6652	WASHER, LOCK stl, sp hlcl ring, 0.156-in nom bolt siz	10	U
0009	5306-99-806-9006	BOLT,SHOULDER hex hd, stl, 0.312 - 24UNF, 1.500-in lg	1	U
0010	5310-99-137-8657	WASHER,FLAT stl, phos, 0.437-in bolt size, 1.125-in	1	U
0011	5340-99-805-8623	BUSHING,RUBBER:SYNTHETIC RUBBER,0.5IN.CE synth, 0.500-in id, 0.937-in od, 0.468-i	2	U
0012	9999-98-ASC-0002	NOT PROVIDED (PLATE)	1	F
0013	5310-99-941-0925	NUT,PLAIN,HEXAGON, UNF 0.312 UNF, 0.312-in, 0.500-in A/F, stl, zn pld	4	U
0014	5310-99-446-6115	WASHER (GASKET, SENDER UNIT)	1	U
0015	5330-99-850-0344	GASKET:COPPER,0.451IN.INT DIA,0.675IN.OD	1	U
0016	5365-99-828-7803	PLUG,SCREWED hex hd, stl, cd pld, 0.250-19BSP	1	U
0017	5310-99-941-6655	WASHER,LOCK,0.335-in id,0.503-in od,0.07 0.335-in id, 0.503-in od, 0.078-in thk s	4	U
0018	5310-99-134-2496	WASHER,FLAT,0.312-in bolt size,0.750-in stl, cd pld, 0.312-in bolt size, 0.750-i	6	U
0019	5305-99-941-0525	SCREW,MACHINE:UNF,ST,ZINC PLD,HEX HD,5/1 stl, zn pld, hex hd, 0.312-in 24UNF, 0.7	3	U

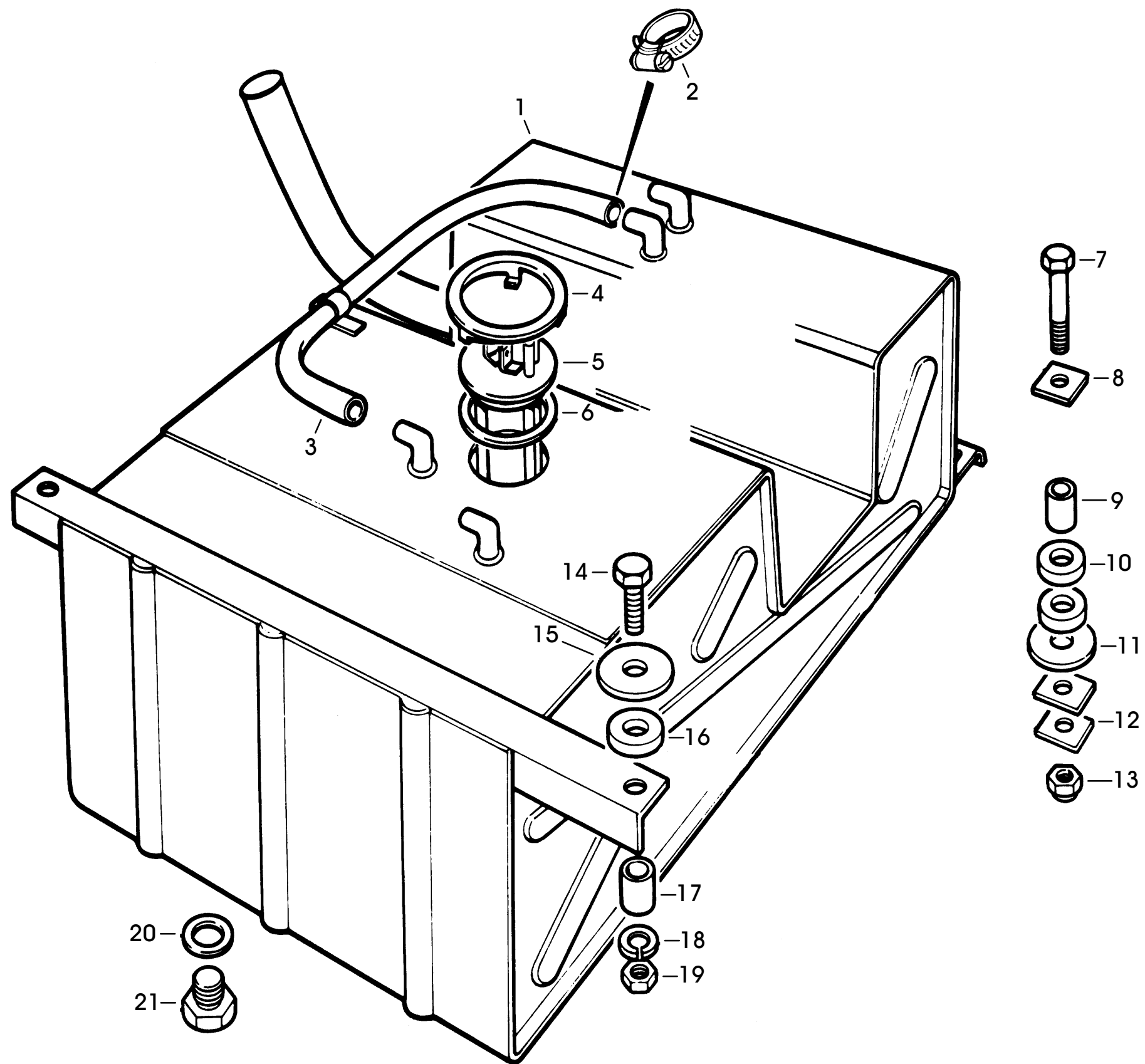


TEXT

0092 ZPM1 R0000067 10008-1J16 REAR FUEL TANK FILLER

ITEM	NSN	DESCRIPTION	QTY	GOR
0000		10008-1J16	1	
0001	2910-99-850-0580	FILLER NECK COMPLETE ASSEMBLY V8 ROVER	1	F
0002	2590-99-850-1766	CAP,FILLER,PETROL T	1	U
0003	2910-99-850-0599	WASHER,JOINT,PETROL	1	U
0004	5340-99-895-1809	CHAIN ASSEMBLY,SING	1	U
0005	2910-99-850-0595	EXTENSION TUBE, * WSE USE 99-850-0580 *	1	U
0006	5330-99-850-0589	GASKET:SYNTHETIC RUBBER,3.437IN.DIA APER	1	F
0007	5305-99-941-9194	SCREW,MACHINE:BA,2X0.81,NORMAL,STEEL,CD	4	F
0008	5310-99-941-6866	WASHER,FLAT,BA No2 bolt size,0.5-in od, stl, rd, cd pld, rd hole, No2 BA bolt si	4	F
0009	5310-99-941-6653	WASHER,LOCK,0.330-in od,0.188-in nom stl, 0.330-in od, 0.188-in nom blt size,	4	F
0010	5310-99-941-7070	NUT,PLAIN,HEXAGON:BA,2-0.81,FINISHED-CHA BA, 2 - 0.81, fin cham, stl, cd pld, w/c	4	F
0011	2910-99-850-0596	FILLER TUBE, PETROL TANK (NO LONGER PROCURABLE. USE NEXT HIGHER A	1	F
0012	4730-99-533-2957	CLAMP:STL,ZN FIN,I/DIA 11/16MM,13MM WD stl, zn pld, 0.500 - 0.625-in id band ty	2	U
0013	2910-99-446-6148	HOSE	1	U
0014	4730-99-406-2141	CLAMP,HOSE (WSE USE 4730 99 788 7622)	1	U
0015	2910-99-806-7461	HOSE,PREFORMED S/S TO 99-254-8436 (WSE USE 4720-99-254-8436)	1	U
0016	4730-99-420-3230	CLAMP,HOSE:STEEL BAND BS1449-EN2C,STEEL stl, zn pld, 1.500 - 2.125-in id	1	U

1K16 REAR FUEL TANK

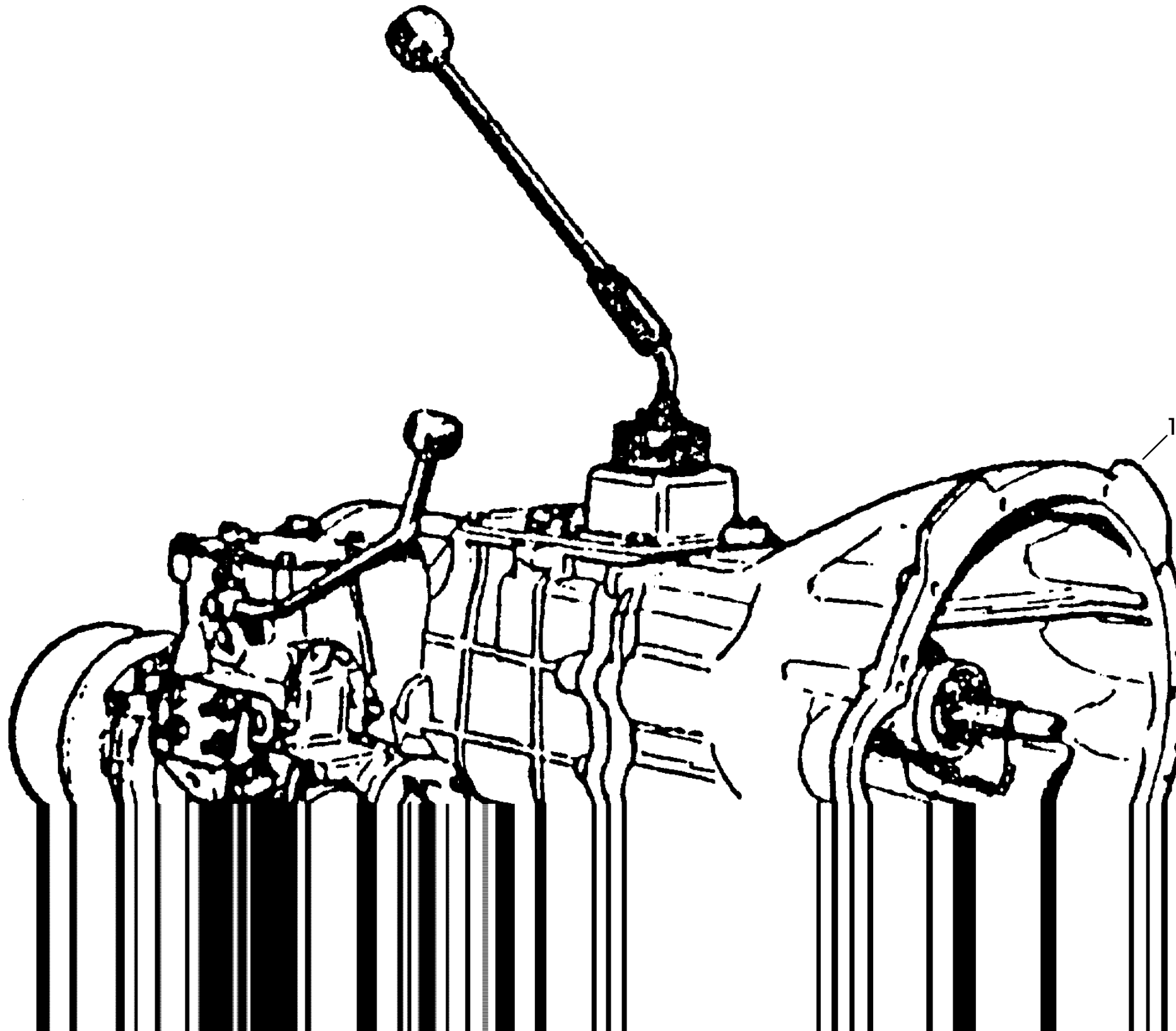


TEXT

0093 ZPM1 R0000082 10008-1L16 REAR FUEL TANK

ITEM	NSN	DESCRIPTION	QTY	GOR
0000		10008-1L16	1	
0001	2910-99-829-2079	TANK,FUEL,ENG.*E*V8 ROVER	1	U
0002	4730-99-533-2957	CLAMP-STL,ZN FIN,I/DIA 11/16MM,13MM WD stl, zn pld, 0.500 - 0.625-in id band ty	1	U
0003	4720-99-809-9612	HOSE,RUBBER synth, 0.500-in id, 0.625-in od, 20.500-	1	U
0004	2910-99-804-6574	LOCKING RING,GAUGE	1	U
0005	6680-99-828-5386	TRANSMITTER,FUEL QU	1	U
0006	5330-99-625-1886	WASHER,FLAT	1	U
0007	5306-99-941-0317	BOLT,MACHINE:UNF,0.375-24,2A,ST,ZINC PLD UNF, 0.375-in, 2500-in lg, zn pld, gr 8	2	U
0008	9999-98-ASC-0002	NOT PROVIDED (PLATE)	2	F
0009	9999-98-ASC-0002	NOT PROVIDED (SLEEVE)	2	F
0010	2910-99-806-7464	BUMPER,RUBBER	4	U
0011	5310-99-137-6122	WASHER,FLAT	2	U
0012	9999-98-ASC-0002	NOT PROVIDED (PLATE)	4	F
0013	5310-99-943-4299	NUT,SELF-LOCKING,HEX,UNF 0.375-in-24,0.5 hex, UNF, stl, w/nyl insert, 0.375-in, 0	2	U
0014	5306-99-941-0312	BOLT,MACHINE:UNF,STEEL,HEX HD,ZINC PLATE hex hd, S stl, zn pld, 0.375 - 24UNF, 1.	2	U
0015	5310-99-824-8460	WASHER,FLAT stl, 0.390-in id, 1.187-in od, 0.093-in	2	U
0016	5340-99-805-8623	BUSHING,RUBBER:SYNTHETIC RUBBER,0.5IN.CE synth, 0.500-in id, 0.937-in od, 0.468-i	4	U
0017	9999-98-ASC-0002	NOT PROVIDED (SLEEVE)	2	F
0018	5310-99-941-6656	WASHER,LOCK:0.398IN.NOM ID,0.59IN.NOM OD stl, sp hlcl ring, 0.375-in nom bolt siz	2	U
0019	5310-99-135-6785	NUT,PLAIN,HEXAGON UNF, stl, cham brg surf, zn pld, 24 tpi,	2	U
0020	5330-99-850-0344	GASKET:COPPER,0.451IN.INT DIA,0.675IN.OD	1	U
0021	5365-99-828-7803	PLUG,SCREWED hex hd, stl, cd pld, 0.250-19BSP	1	U

1M16 TRANSMISSION ASSEMBLY



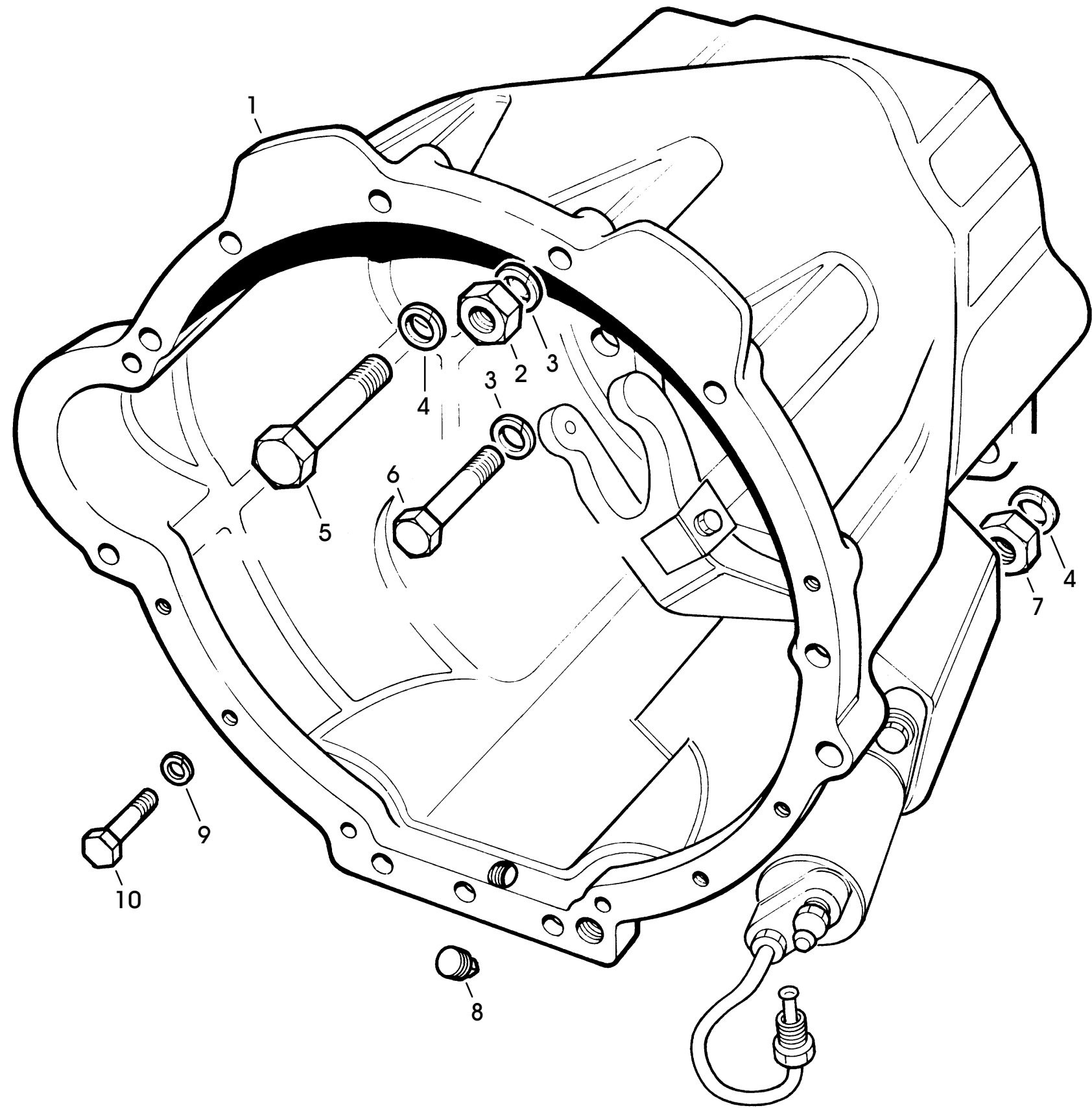
ITEM(S) NOT ILLUSTRATED

TEXT

|__ 0094 ZPM1 R00000097 10008-1N16 TRANSMISSION ASSEMBLY

	ITEM	NSN	DESCRIPTION	QTY	GOR
	__ 0000		10008-1N16	1	
	__ 0001	2520-98-856-0367	TRANSMISSION,MECHANICAL:P/O V8 109IN.LAN V/8 1/2	1	F
	__ 0002	2520-99-733-7307	GASKET SET:V8 GEARBOX	1	F

1A17 BELL HOUSING

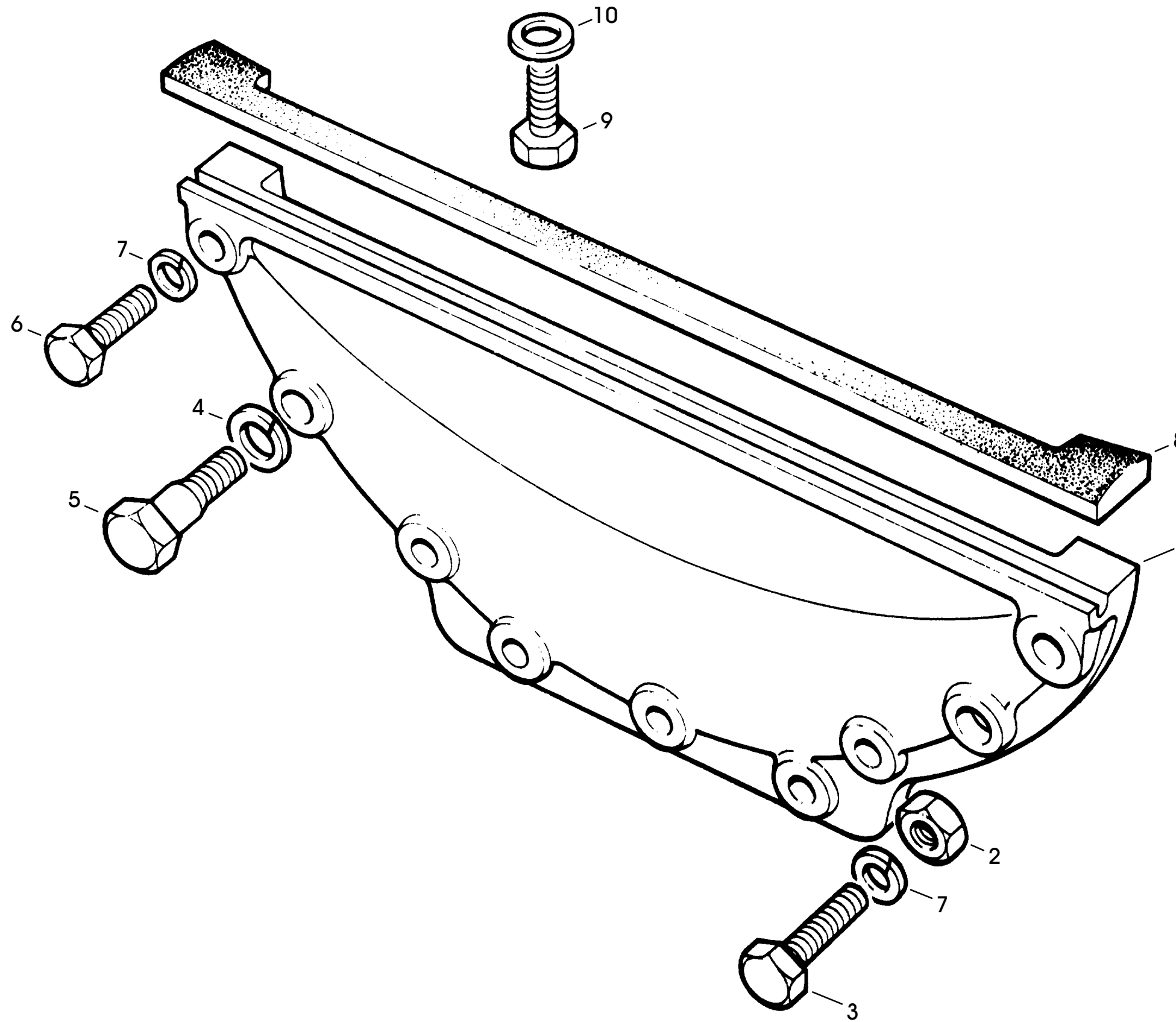


TEXT

___ 0095 ZPM1 R00000008 10008-1B17 BELL HOUSING

ITEM	NSN	DESCRIPTION	QTY	GOR
___ 0000		10008-1B17	1	
___ 0001	2520-99-838-4203	HOUSING,CLUTCH	1	B
___ 0002	5310-99-122-5298	NUT,PLAIN,HEXAGON: M12, 1.75p stl, zn pld, ISO metric, 12mm, 1.75mm pi	2	F
___ 0003	5310-99-135-9304	WASHER,LOCK stl, cd pld, sp hlcl ring, 12mm bolt siz	4	F
___ 0004	5310-99-941-6657	WASHER,LOCK:0.46IN.NOM ID,0.677IN.OD,0.1 stl, sgl coil, sq sect cd pld, 0.437-in	4	F
___ 0005	5306-99-138-4882	BOLT,MACHINE hex hd, stl, zn pld, ISO metric, 16mm di	2	F
___ 0006	5306-99-122-8680	SCREW,MACHINE hex hd, stl, zn pld, ISO m, 12mm dia, 1.	2	F
___ 0007	5310-99-122-5299	NUT,PLAIN,HEXAGON	2	F
___ 0008	4730-99-194-5268	PLUG,PIPE:M.C.I.1/4IN-19 BSP TR EXT,SQ H 0.250 - 19BSP	1	U
___ 0009	5310-99-941-6656	WASHER,LOCK:0.398IN.NOM ID,0.59IN.NOM OD stl, sp hlcl ring, 0.375-in nom bolt siz	8	F
___ 0010	5306-99-941-1554	BOLT,MACHINE:UNC,0.375-16,2A,STEEL ZINC UNC, 0.375 - 16, 2A stl, zn pld, 1-in th	8	F

1C17 BELL HOUSING BOTTOM COVER

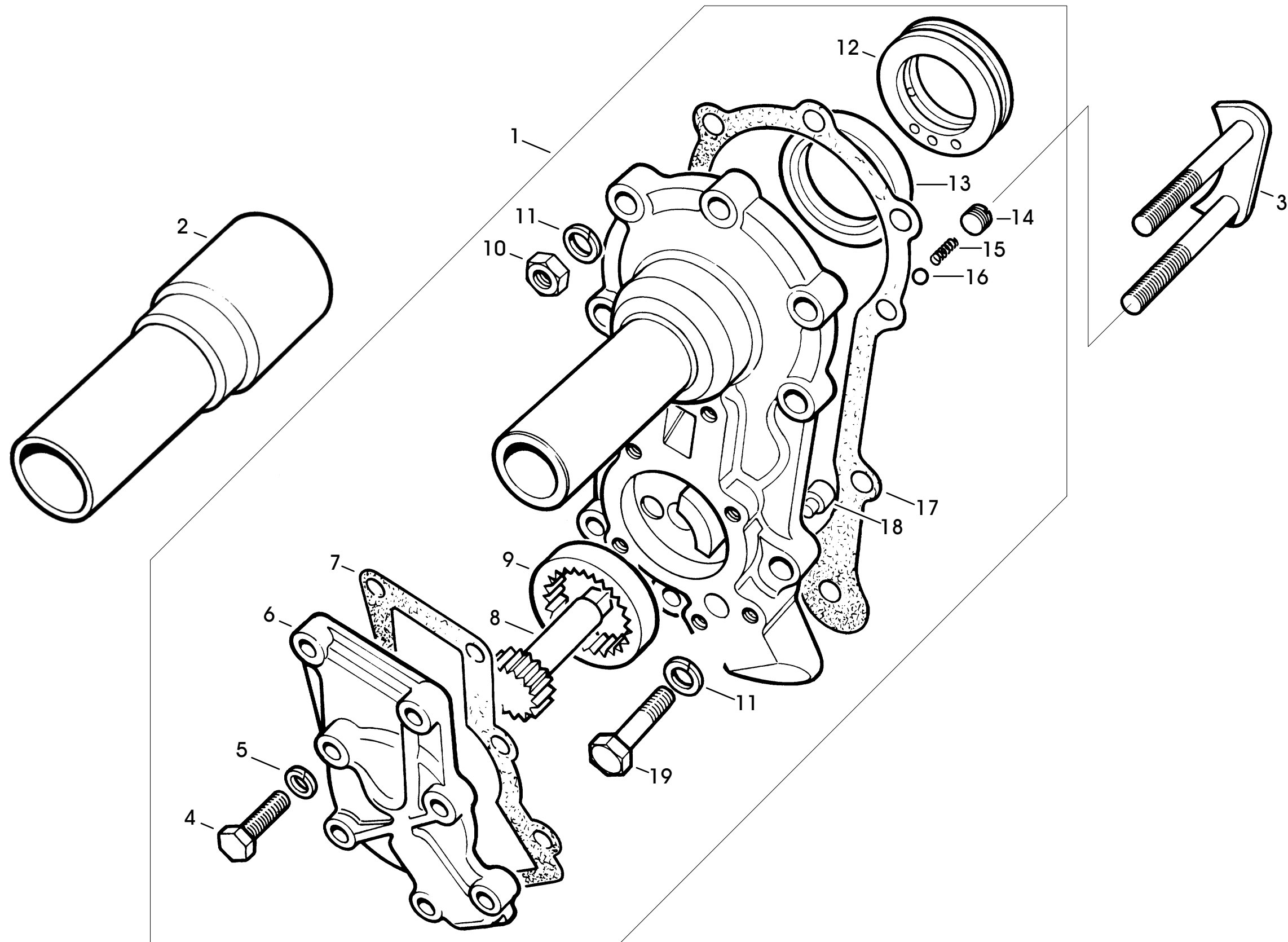


TEXT

___ 0096 ZPM1 R00000023 10008-1D17 BELL HOUSING BOTTOM COVER

ITEM	NSN	DESCRIPTION	QTY	GOR
___ 0000		10008-1D17	1	
___ 0001	2805-98-856-0396	BOTTOM COVER:P/O V8 109IN.LANDROVER,MFR	1	F
___ 0002	5310-99-122-5295	NUT,PLAIN,HEXAGON:ISO M,6X1,STEEL,ZINC P M6 - 1p, stl, zn pld, gr 8	5	F
___ 0003	5305-99-204-5084	SCREW, CAP, HEXAGON HEAD hex hd, stl, zn pld, ISO metric 6mm, 45m	5	F
___ 0004	5310-99-135-9302	WASHER, LOCK stl, cd pld, sp hlcl ring, 8mm bolt size	2	F
___ 0005	5306-99-137-3056	BOLT, BELL HOUSING COVER hex hd, stl, phos, ISO metric, 6mm dia,	2	F
___ 0006	5305-99-122-5362	SCREW,MACHINE hex hd, steel, zinc pld, 6 x 1mm pitch,	2	F
___ 0007	5310-99-137-9232	WASHER,LOCK M6, 9.6mm o/d, 1.5mm thk, stl, zn pld	7	F
___ 0008	2520-99-823-7207	SEAL,GEARBOX	1	U
___ 0009	5305-99-941-0685	SCREW,MACHINE:UNC,0.25-20,2A,STEEL,ZINC 0.250-in UNC x 0.500-in	2	F
___ 0010	5330-99-849-9236	GASKET:COPPER,0.323-0.333IN.APERTURE DIA jt	2	F

1E17 GEARBOX FRONT COVER AND OIL PUMP

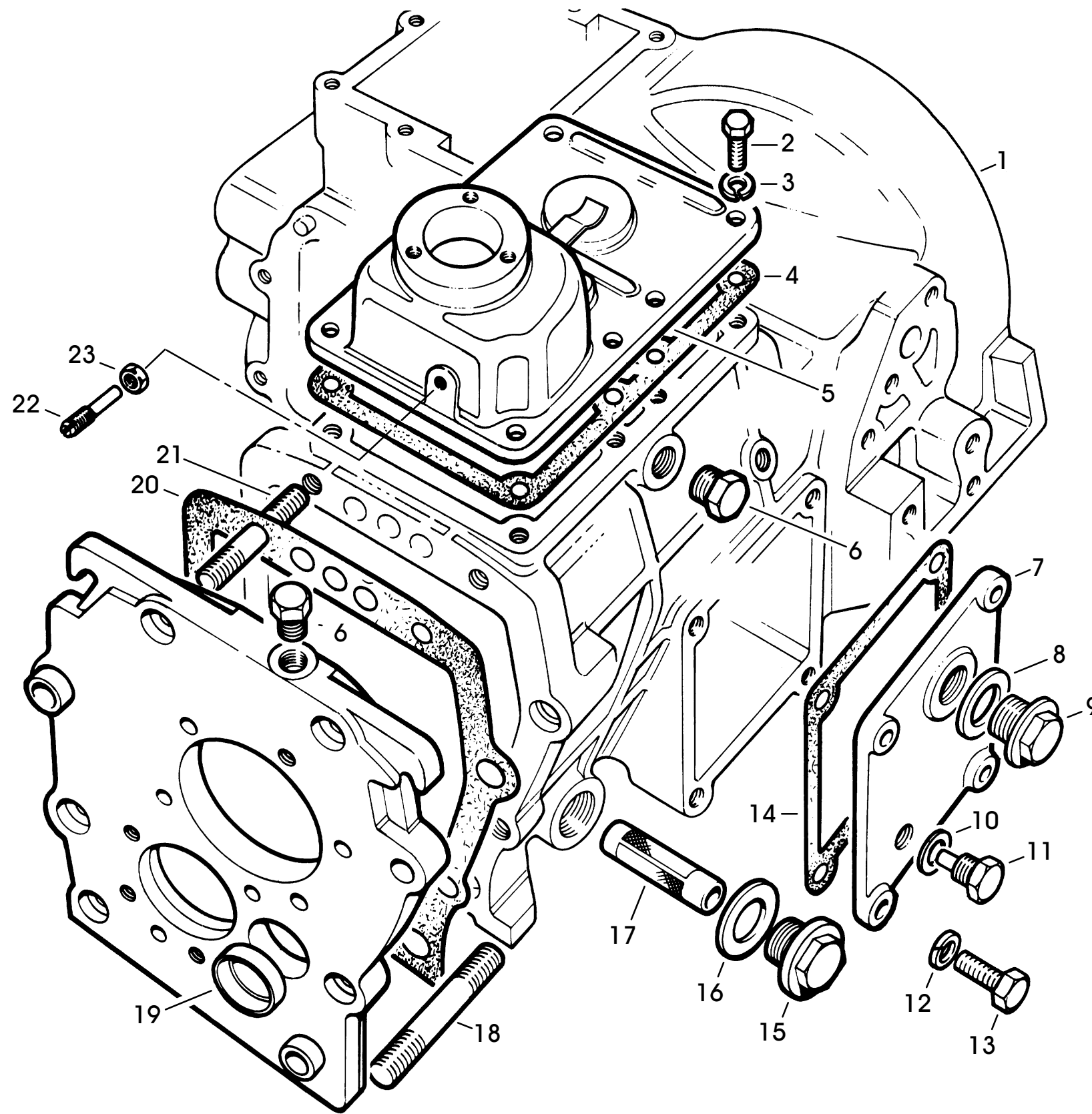


TEXT

0097 ZPM1 R00000037 10008-1F17 GEARBOX FR COVER & OIL PUMP

ITEM	NSN	DESCRIPTION	QTY	GOR
0000		10008-1F17	1	
0001	2520-99-823-8296	OIL PUMP AND FRONT (C/W ITEMS 4-19)	1	F
0002	5930-01-390-5149	OPTICAL TRIGGER SWITCH	1	F
0003	4320-99-829-8710	PLATE,RETA1N1NG	2	F
0004	5305-99-122-5361	SCREW, HEXAGON HEAD, M6x20 M6 - 1p, 20mm lg, stl zn pld	7	F
0005	5310-99-137-9232	WASHER,LOCK M6, 9.6mm o/d, 1.5mm thk, stl, zn pld	7	F
0006	4320-99-829-8709	COVER PLATE,ACCESS	1	F
0007	5330-99-824-0915	GASKET,PUMP COVER	1	F
0008	3040-99-823-8299	GEARSHAFT,SPUR	1	F
0009	3020-99-823-8298	GEAR,INTERNAL	1	F
0010	5310-99-122-3402	NUT,PLAIN,HEXAGON:ISO M,8-1.25 6M THD,ST stl, ISO m, 8mm dia, 1.250mm p, gr 8	4	F
0011	5310-99-135-9302	WASHER, LOCK stl, cd pld, sp hlcl ring, 8mm bolt size	9	F
0012	2520-99-823-8297	RING,OIL PICK UP	1	F
0013	5330-99-818-9097	SEAL,PLAIN 34.925mm sft dia, 50.133mm od, 10mm w	1	F
0014	5365-99-829-8708	PLUG,SCREWED slot dr, stl, ISO m, 10mm, 1.5mm p, 8mm	1	F
0015	5360-99-823-8750	SPRING,HELICAL,COMP 0.207-in dia, 0.625-in free lg	1	F
0016	2540-99-403-9781	BALL	1	F
0017	5330-99-822-1515	GASKET,BEARING PLAT	1	F
0018	5315-99-823-8751	PIN,STRAIGHT,HEADED stl, 8mm dia, 6mm lg	1	F
0019	5305-99-122-5368	SCREW, CAP, HEXAGON HEAD hex hd, stl, zn pld, ISO metric, 8mm, 1.	5	F

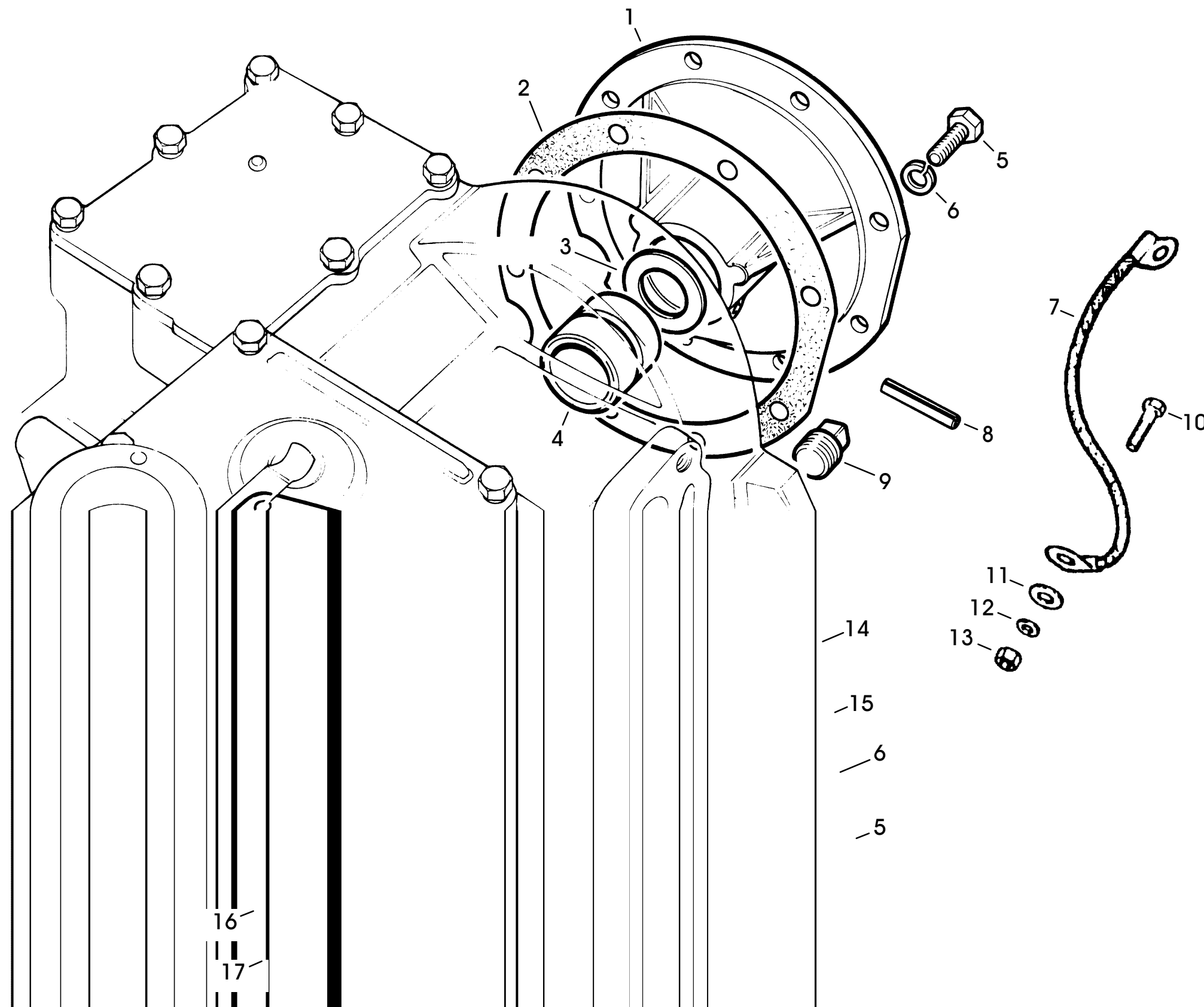
1G17 FRONT TRANSMISSION CASING



TEXT

0098 ZPM1 R0000053 10008-1H17 FRONT TRANSMISSION CASING

ITEM	NSN	DESCRIPTION	QTY	GOR
0000		10008-1H17	1	
0001	2520-99-758-5255	CASING,GEARBOX	1	B
0002	5305-99-122-5367	SCREW,MACHINE M8-1.25p, 25mm lg, stl, zn pld, 8.8	8	U
0003	5310-99-135-9302	WASHER, LOCK stl, cd pld, sp hlcl ring, 8mm bolt size	8	U
0004	5330-99-822-1517	GASKET,COVER PLATE	1	U
0005	2520-99-774-9246	COVER,TOP,GEARBOX	1	B
0006	5365-99-823-7202	PLUG,SCREWED	3	F
0007	2520-99-796-7484	COVER PLATE,ACCESS	1	F
0008	5310-99-747-2708	WASHER,FLAT	1	U
0009	4730-99-874-0243	PLUG,SCREWED:BSP,F,BRASS,3/4IN.-14 THD,M	1	U
0010	5330-99-792-0835	WASHER,FLAT:P/O FRONT TRANSMISSION CASE	1	U
0011	5365-99-823-7203	PLUG,SCREWED,MAGNET	1	U
0012	5310-99-135-4103	WASHER (1), LOCK: sp hlcl ring, 10mm bolt size, 15.9mm od,	4	U
0013	5306-99-122-8669	BOLT, MACHINE hex hd, stl, zn pld, ISO metric, 10mm di	4	U
0014	5330-99-822-1518	GASKET,COVER PLATE	1	U
0015	4730-98-856-3383	PLUG,MACHINE S/S to 998237205 ISO m, 30mm dia, 1.5mm p, 13mm thd lg, f	1	U
0016	5330-99-762-8209	JOINT WASHER	1	U
0017	2520-99-823-7204	FILTER,OIL	1	U
0018	5307-99-796-7539	STUD,PLAIN	2	F
0019	5365-99-829-8711	PLUG,CUP 31mm od, 9mm lg	1	F
0020	5330-99-822-1516	GASKET,BEARING PLAT	1	F
0021	5307-99-796-7538	STUD,PLAIN	2	F
0022	5305-99-777-4041	SCREW,GRUB	1	F
0023	5310-99-139-0313	NUT,PLAIN,HEXAGON	1	F

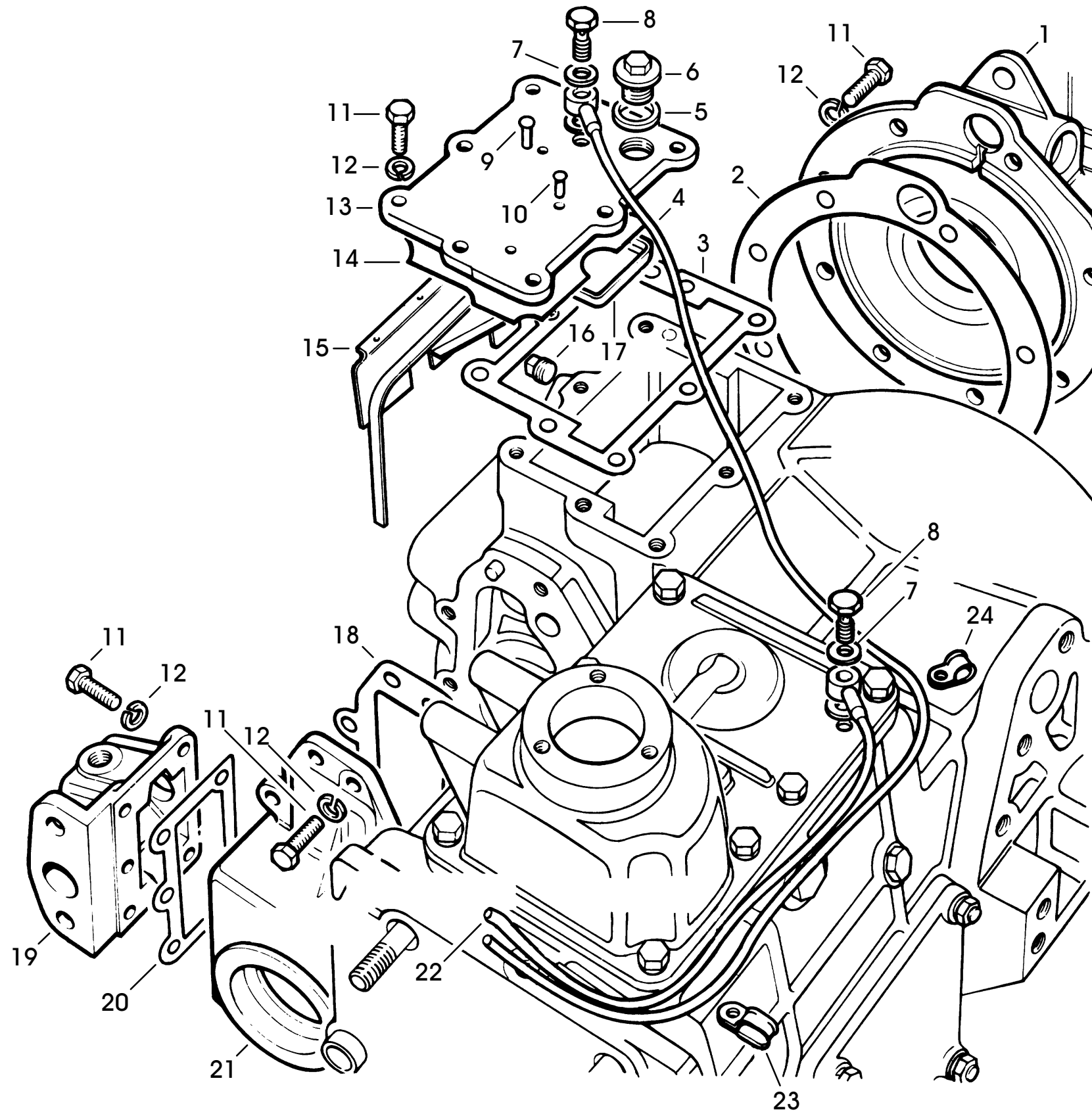


TEXT

0099 ZPM1 R0000068 10008-1J17 REAR TRANSMISSION CASING

ITEM	NSN	DESCRIPTION	QTY	GOR
0000		10008-1J17	1	
0001	3040-99-834-1930	HOUSING ASSEMBLY,MA	1	F
0002	5330-99-822-1723	GASKET,HOUSING,MAIN	1	F
0003	5310-99-137-4410	WASHER,FLAT stl, 28mm id, 41.2mm od, 2mm thk	1	F
0004	3110-99-838-5185	RING,BEARING,OUTER	1	F
0005	5305-99-122-5367	SCREW,MACHINE M8-1.25p, 25mm lg, stl, zn pld, 8.8	22	F
0006	5310-99-135-9302	WASHER, LOCK stl, cd pld, sp hlcl ring, 8mm bolt size	22	F
0007	2590-99-805-2425	LEAD,ELECTRICAL	1	U
0008	5315-98-856-0442	SPRING PIN:P/O V8*N/C USE 661284510*	1	F
0009	4730-99-923-5244	PLUG,PIPE	1	U
0010	5305-99-941-0511	SCREW,MACHINE:UNF,ST,ZINC PLD,HEX HD,1/4 UNF, 0.250-in, 0.500-in lg S stl, hex hd	1	U
0011	5310-99-849-8006	WASHER,FLAT:0.265-in id,0.750-in od stl, zn pld, 0.265-in id, 0.750-in od, 0	1	U
0012	5310-99-941-6654	WASHER,LOCK,0.250-in id,0.425-in od,0.07 stl, sp hlcl ring, 0.250-in blt size, 0.	1	U
0013	5310-99-804-7941	NUT,PLAIN,HEXAGON:0.250-28 UNF UNF, 0.250-in, 0.438-in A/F, 0.218-in o/	1	U
0014	5330-99-822-1724	GASKET,BOTTOM COVER	1	U
0015	2590-99-796-9564	BOTTOM COVER	1	F
0016	5330-99-762-8209	JOINT WASHER	1	U
0017	4730-98-856-3383	PLUG,MACHINE S/S to 998237205 ISO m, 30mm dia, 1.5mm p, 13mm thd lg, f	1	U

1K17 TRANSMISSION TRANSFER CASING

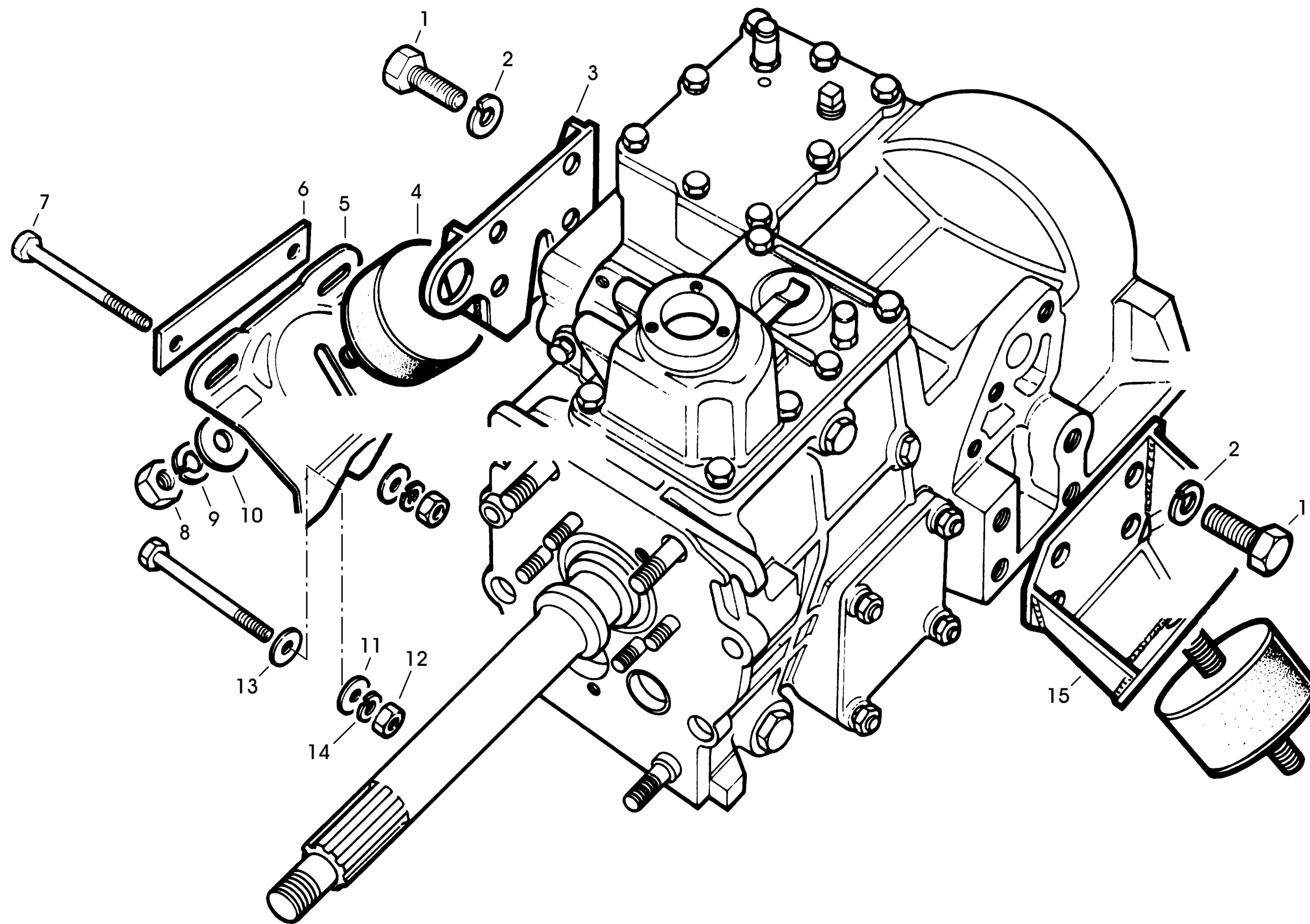


TEXT

0100 ZPM1 R00000083 10008-1L17 TRANSMISSION TRANSFER CASING

ITEM	NSN	DESCRIPTION	QTY	GOR
0000		10008-1L17	1	
0001	3040-99-829-8712	HOUSING,SPEEDOMETER	1	F
0002	5330-99-822-1722	GASKET,SPEEDOMETER	1	U
0003	5330-99-822-1721	GASKET,TRANSFER COV	1	F
0004	2805-98-856-0358	BREATHER:P/O V8 109IN.LANDROVER,MFR U103	1	F
0005	5310-99-747-2708	WASHER,FLAT	1	F
0006	4730-99-874-0243	PLUG,SCREWED:BSP,F,BRASS,3/4IN.-14 THD,M	1	F
0007	4930-99-842-3988	WASHER, FIBRE	4	F
0008	4730-99-137-6379	BOLT,FLUID PASSAGE	2	F
0009	9999-98-ASC-0002	NOT PROVIDED (RIVET, SOLID)	1	F
0010	9999-98-ASC-0002	NOT PROVIDED (RIVET, SOLID)	3	F
0011	5305-99-122-5367	SCREW,MACHINE M8-1.25p, 25mm lg, stl, zn pld, 8.8	26	F
0012	5310-99-135-9302	WASHER, LOCK stl, cd pld, sp hcl ring, 8mm bolt size	26	F
0013	2590-99-796-6102	TRANSFER TOP COVER	1	F
0014	2520-99-823-7208	PAD,INSULATING	1	F
0015	2520-99-796-6100	BAFFLE PLATE ASSEMB	1	F
0016	4730-99-194-5268	PLUG,PIPE:M.C.I.1/4IN-19 BSP TR EXT,SQ H 0.250 - 19BSP	1	F
0017	2990-99-796-5385	BAFFLE,BREATHER	1	F
0018	5330-99-822-1519	GASKET,HOUSING,DOG	1	F
0019	2520-99-829-8714	HOUSING,ACTUATOR	1	F
0020	5330-99-822-1720	GASKET,HOUSING,DOG	1	U
0021	2520-99-797-9191	FRONT OUTPUT SHAFT HOUSING	1	F
0022	2805-98-856-0359	BREATHER:P/O V8 109IN.LANDROVER,MFR U103	1	F
0023	5340-99-796-7486	CLAMP,LOOP	1	F
0024	5340-99-881-9938	CLAMP,LOOP:STEEL,0.625IN.O/A W,0.025IN.T	1	F

1M17 GEARBOX MOUNTINGS

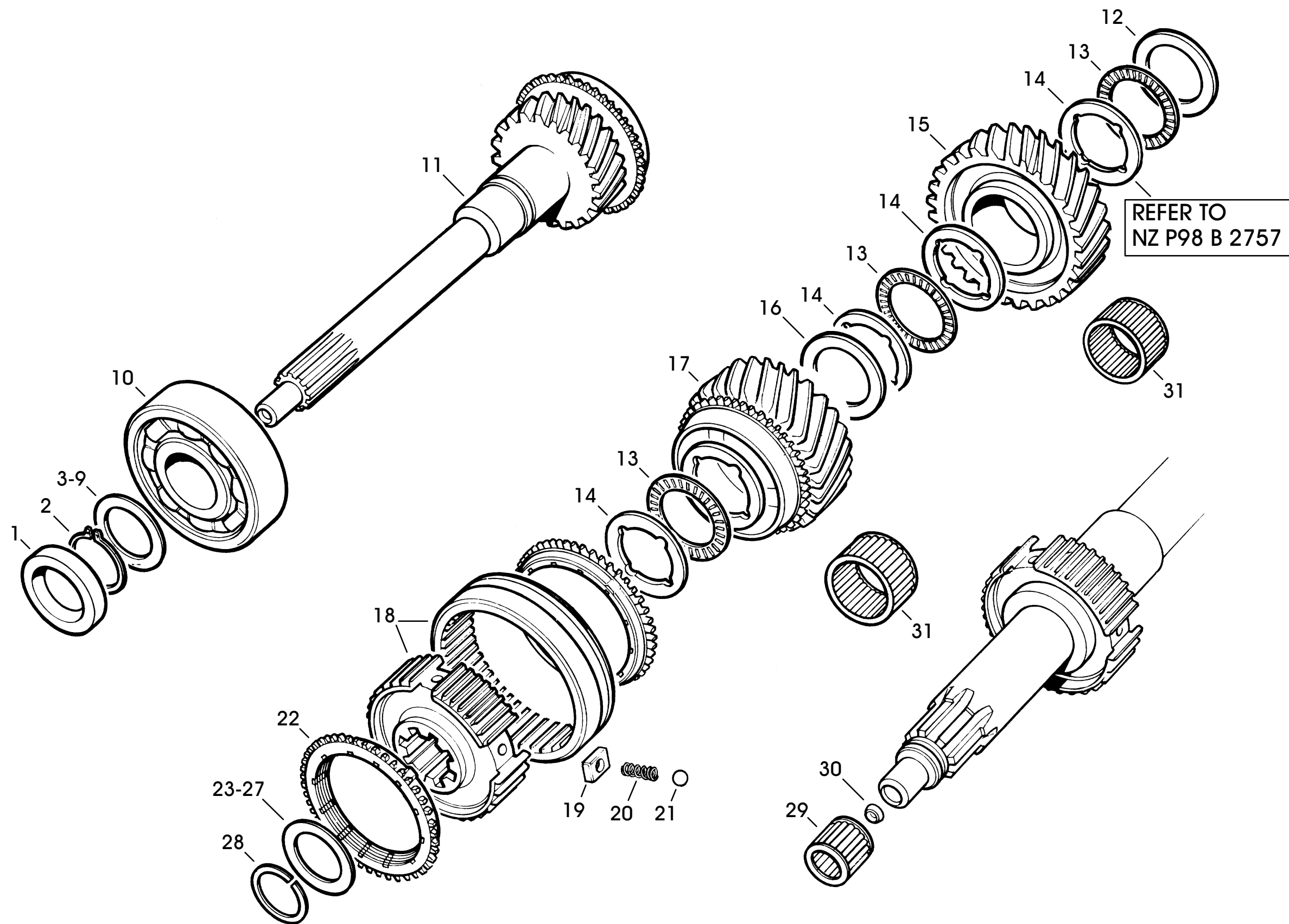


TEXT

___ 0101 ZPM1 R00000098 10008-1N17 GEARBOX MOUNTINGS

ITEM	NSN	DESCRIPTION	QTY	GOR
___ 0000		10008-1N17	1	
___ 0001	5306-99-122-4912	BOLT, MACHINE M12 - 1.75p, 25mm lg, hex hd, stl, gr 8	8	F
___ 0002	5310-99-138-9229	WASHER, LOCK stl, zn pld, sp hel ring, 12mm id, 17.9m	8	F
___ 0003	2590-99-810-6651	BRACKET, VEHICULAR LR gearbox, rt hd	1	F
___ 0004	5340-99-823-7210	MOUNT, RESILIENT S/S TO 99-257-7569	2	U
___ 0005	2590-99-513-5348	BRACKET, CHASSIS	2	F
___ 0006	9999-98-ASC-0002	NOT PROVIDED (PLATE)	2	F
___ 0007	5305-99-122-5263	BOLT, MACHINE	6	F
___ 0008	5310-99-135-6785	NUT, PLAIN, HEXAGON UNF, stl, cham brg surf, zn pld, 24 tpi,	4	U
___ 0009	5310-99-135-2066	WASHER, LOCK, 0.375-in nom id lock 0.375-in id nominal	4	U
___ 0010	5310-99-122-6476	WASHER, FLAT, 10mm id, 21mm od, 2mm thk 10mm id, 21mm od, stl, zn pld	4	U
___ 0011	5310-99-122-6475	WASHER, FLAT, 0.312-in SIDEPOST 0.312-in id, zn pld	4	F
___ 0012	5310-99-122-5296	NUT, PLAIN, HEXAGON M8 - 1.25p, stl, zn pld, 8.8	6	F
___ 0013	5310-99-137-1107	WASHER, FLAT	2	F
___ 0014	5310-99-138-9227	WASHER, LOCK, M8 x 13 x 2mm thk 8mm id, 12.750mm od, 2mm thk, sp hlcl ri	6	F
___ 0015	2590-99-301-8204	BRACKET, VEHICULAR LR gearbox, left hd	1	F

1A18 PRIMARY SHAFT 2ND AND 3RD MAINSHAFT GEARS

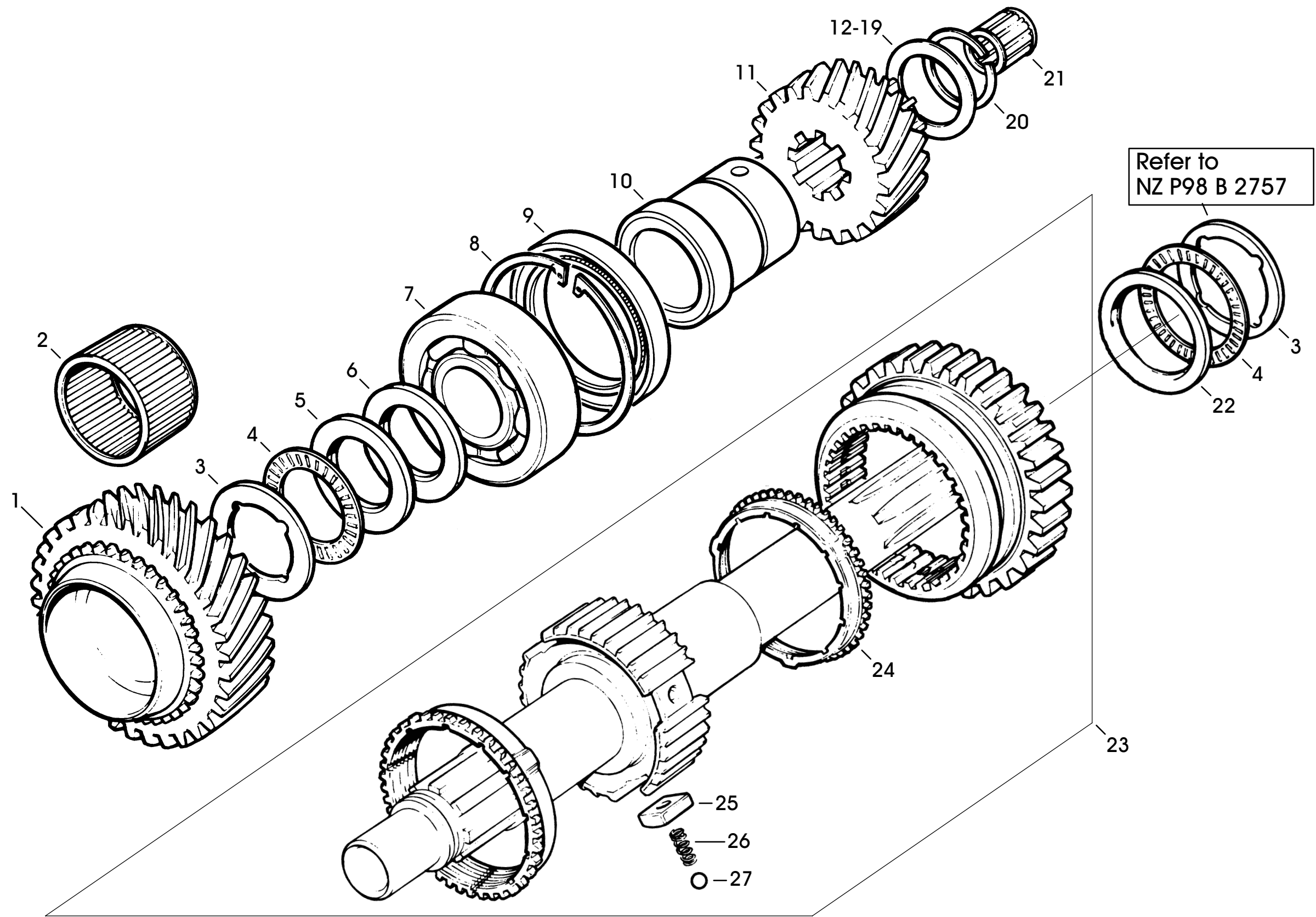


TEXT

0102 ZPM1 R0000009 10008-1B18 PRIMARY, 2ND & 3RD MAINSHAFTS

ITEM	NSN	DESCRIPTION	QTY	GOR
0000		10008-1B18	1	
0001	5330-99-818-9097	SEAL,PLAIN 34.925mm sft dia, 50.133mm od, 10mm w	1	F
0002	5365-99-910-8205	RING,RETAINING circlip, ext, stl, 1.500-in nom sft size	1	B
0003	2520-99-823-7214	PACKING PIECE steel, 50mm od, 38.50mm id, 2.15mm thk	1	B
0004	2520-99-823-7213	PACKING PIECE stl, 50mm od, 38.50mm id, 2.10mm thk	1	B
0005	2520-99-823-7212	PACKING PIECE stl, 50mm od, 38.50mm id, 2.05mm thk	1	B
0006	2520-99-819-4758	PACKING PIECE stl, 50mm od, 38.50mm id, 2mm thk	1	B
0007	2520-99-819-4759	PACKING PIECE stl, 50mm od, 38.50mm id, 1.95mm thk	1	B
0008	2520-99-819-4760	PACKING PIECE stl, 50mm od, 38.50mm id, 1.90mm thk	1	B
0009	2520-99-819-4761	PACKING PIECE stl, 50mm od, 38.50mm id, 1.85mm thk	1	B
0010	3110-99-950-1305	BEARING,BALL,JOURNAL:GROUND RACEWAYS,SIN	1	B
0011	3040-99-828-5535	GEARSHAFT,SPUR	1	B
0012	3110-99-823-7737	SEAT,BEARING	1	B
0013	3110-99-819-3191	CAGE AND ROLLERS,BE	3	B
0014	3120-99-823-7735	WASHER,THRUST	5	B
0015	3020-99-828-5825	GEAR,DUPLEX	1	B
0016	3110-12-155-8849	SEAT, BEARING (JCB) 40mm id, 60mm od, 1mm thk	1	B
0017	3020-99-823-7733	GEAR,DUPLEX	1	B
0018	2520-99-828-8368	CLUTCH,POSITIVE	1	B
0019	2520-99-823-7731	SLIDING BLOCK,SYNCH	3	B
0020	5360-99-819-4768	SPRING,HELICAL,COMP 0.240-in od, 0.565-in free lg	3	B
0021	2540-99-403-9781	BALL	3	B
0022	2520-99-784-1313	CLUTCH HALF,POSITIV silicon bronze	2	B
0023	5310-99-137-4418	WASHER,FLAT rd, steel, 32mm id, 45mm od, 1.85mm thk	1	B
0024	5310-99-137-4419	WASHER,FLAT rd, steel, 32mm id, 45mm od, 2mm thk	1	B
0025	5310-99-137-4420	WASHER,FLAT rd, steel, 32mm id, 45mm od, 2.15mm thk	1	B
0026	5310-99-137-4421	WASHER,FLAT rd, steel, 32mm id, 45mm od, 2.30mm thk	1	B
0027	5310-99-137-4422	WASHER,FLAT rd, steel, 32mm id, 45mm od, 2.45mm thk	1	B
0028	5365-99-823-7732	RING,RETAINING ext, stl, 29.9mm id, 35.5mm od, 2.5mm h	1	B
0029	2520-99-823-7217	BEARING,MAINSHAFT S	1	F
0030	5330-99-822-1855	SEAL,PLAIN	1	F
0031	3110-99-823-7736	ROLLER ASSEMBLY,JOU	2	B

1C18 MAINSHAFT 1st AND TRANSFER GEARS

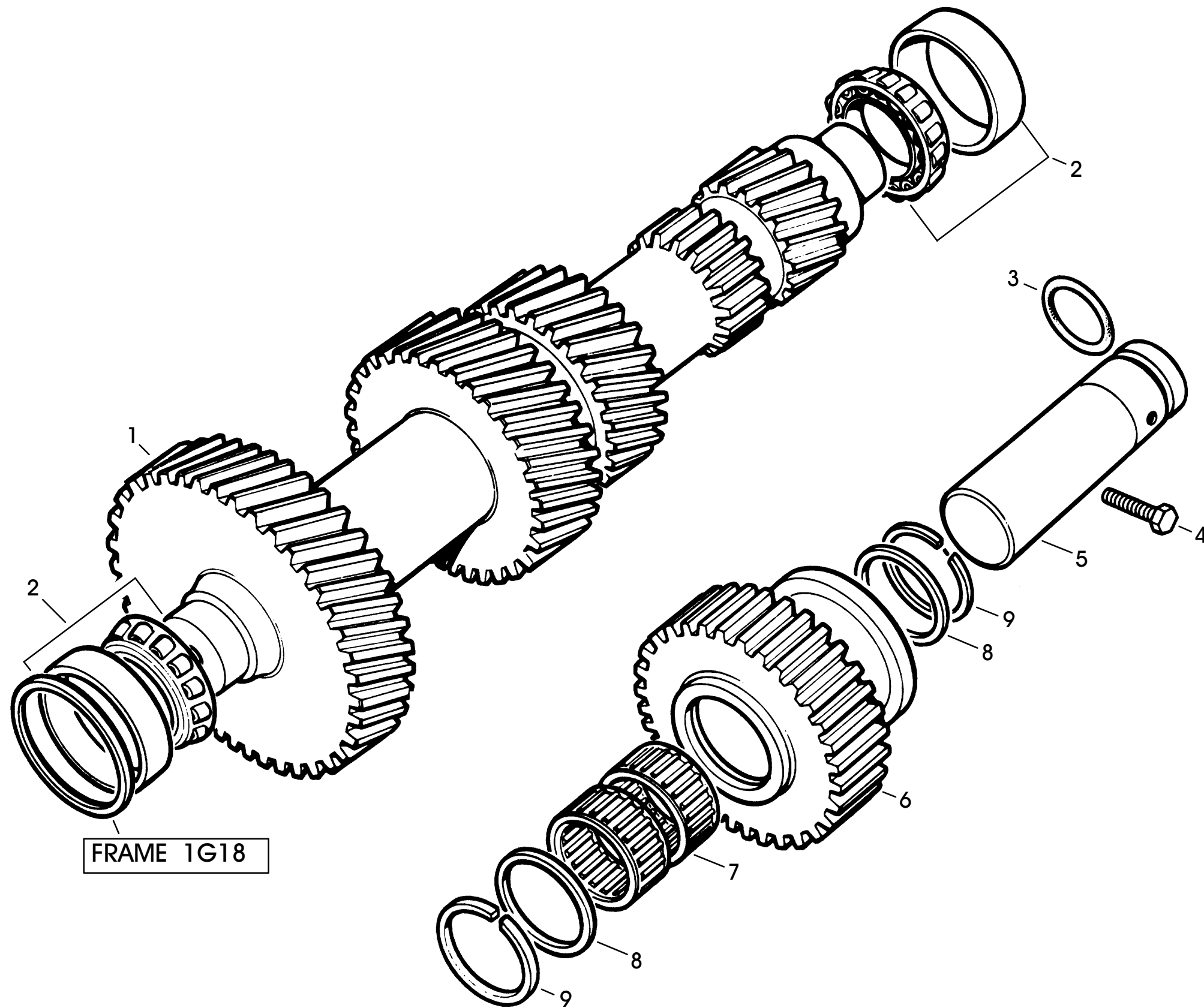


TEXT

0103 ZPM1 R0000024 10008-1D18 MAINSHAFT 1ST & TRANSF GEARS

ITEM	NSN	DESCRIPTION	QTY	GOR
0000		10008-1D18	1	
0001	3020-99-823-7740	GEAR,DUPLEX	1	B
0002	3110-99-823-7742	ROLLER ASSEMBLY,JOU	1	B
0003	3120-99-823-7743	WASHER,THRUST	2	B
0004	3110-99-924-8267	CAGE AND ROLLERS,BE	2	B
0005	3110-12-196-1074	WASHER 45mm id, 65mm od, 1mm thk	1	B
0006	3120-99-823-7744	WASHER,THRUST	1	B
0007	3110-99-950-1305	BEARING,BALL,JOURNAL:GROUND RACEWAYS,SIN	1	B
0008	5365-99-910-8303	RING,RETAINING 3.750-in nom bore dia	1	B
0009	5330-99-822-1856	SEAL,PLAIN	1	B
0010	2520-99-824-6751	SPACER,MAINSHAFT	1	B
0011	3020-99-823-7746	GEAR,DUPLEX	1	B
0012	2520-99-823-7747	PACKING PIECE stl, 38mm id, 47mm od, 1.65mm thk	1	B
0013	2520-99-823-7748	PACKING PIECE stl, 38mm id, 47mm od, 1.70mm thk	1	B
0014	2520-99-823-7749	PACKING PIECE stl, 38mm id, 47mm od, 1.75mm thk	1	B
0015	2520-99-823-7750	PACKING PIECE stl, 38mm id, 47mm od, 1.80mm thk	1	B
0016	2520-99-823-7751	PACKING PIECE stl, 38mm id, 47mm od, 1.85mm thk	1	B
0017	2520-99-823-7752	PACKING PIECE stl, 38mm id, 47mm od, 1.90mm thk	1	B
0018	2520-99-823-7753	PACKING PIECE stl, 38mm id, 47mm od, 1.95mm thk	1	B
0019	2520-99-823-7754	PACKING PIECE stl, 38mm id, 47mm od, 2mm thk	1	B
0020	5365-99-823-7755	RING,RETAINING ext, stl, 36mm id, 43mm od, 2.5mm h	1	B
0021	2520-99-823-7756	BEARING,MAINSHAFT S	1	B
0022	3120-99-823-7741	WASHER,THRUST	1	B
0023	3040-99-828-0889	GEARSHAFT,SPUR mainshaft and syncho hub, c/w springs, b	1	B
0024	2520-99-784-1313	CLUTCH HALF,POSITIV silicon bronze	2	B
0025	2520-99-753-4725	SLIDING BLOCK,SYNCH	3	B
0026	5360-99-819-4768	SPRING,HELICAL,COMP 0.240-in od, 0.565-in free lg	3	B
0027	2540-99-403-9781	BALL	3	B

1E18 LAYSHAFT GEARS AND REVERSE (VIEW 1)

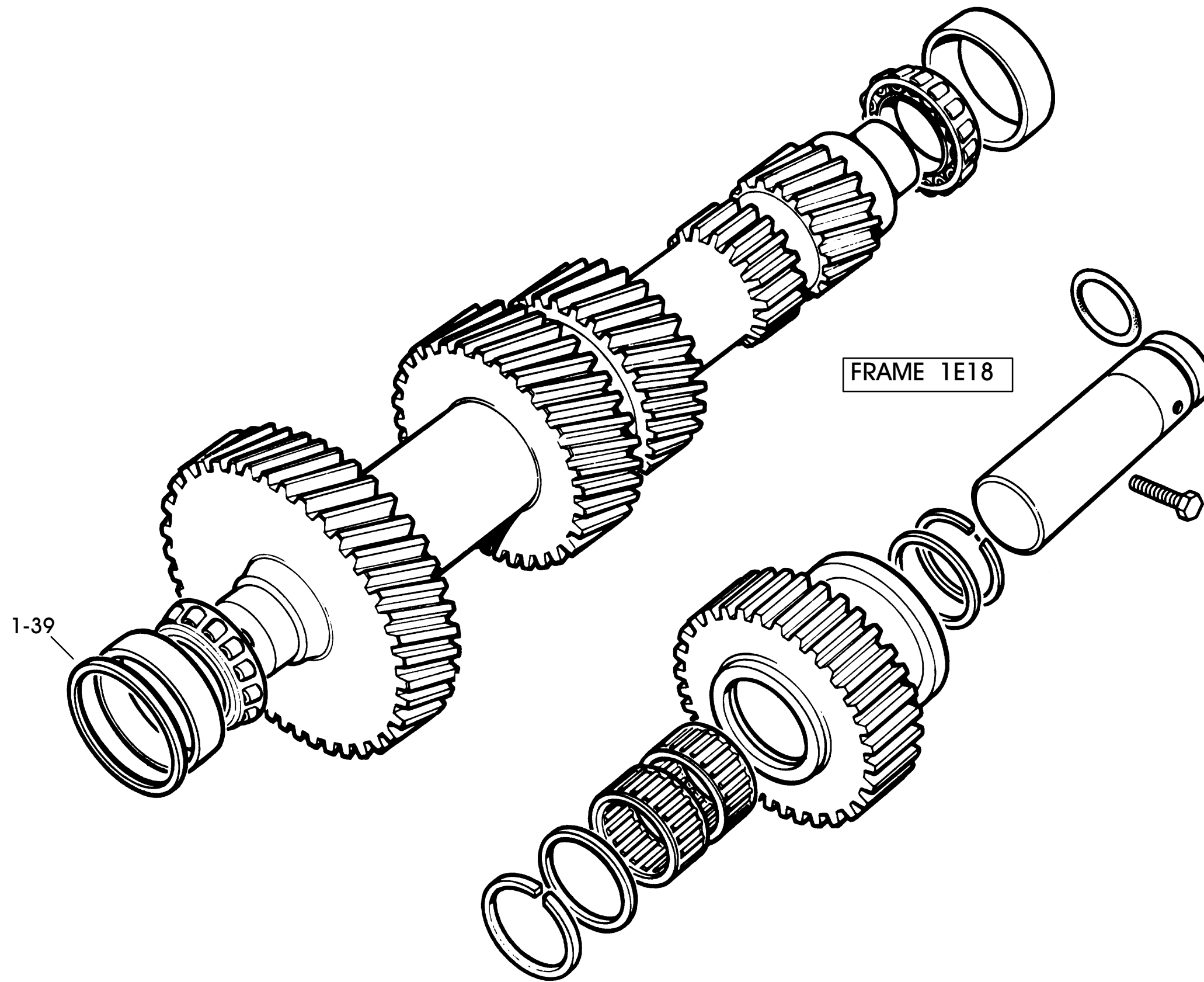


TEXT

___ 0104 ZPM1 R00000038 10008-1F18 LAYSHAFT GEARS & REVERSE 1

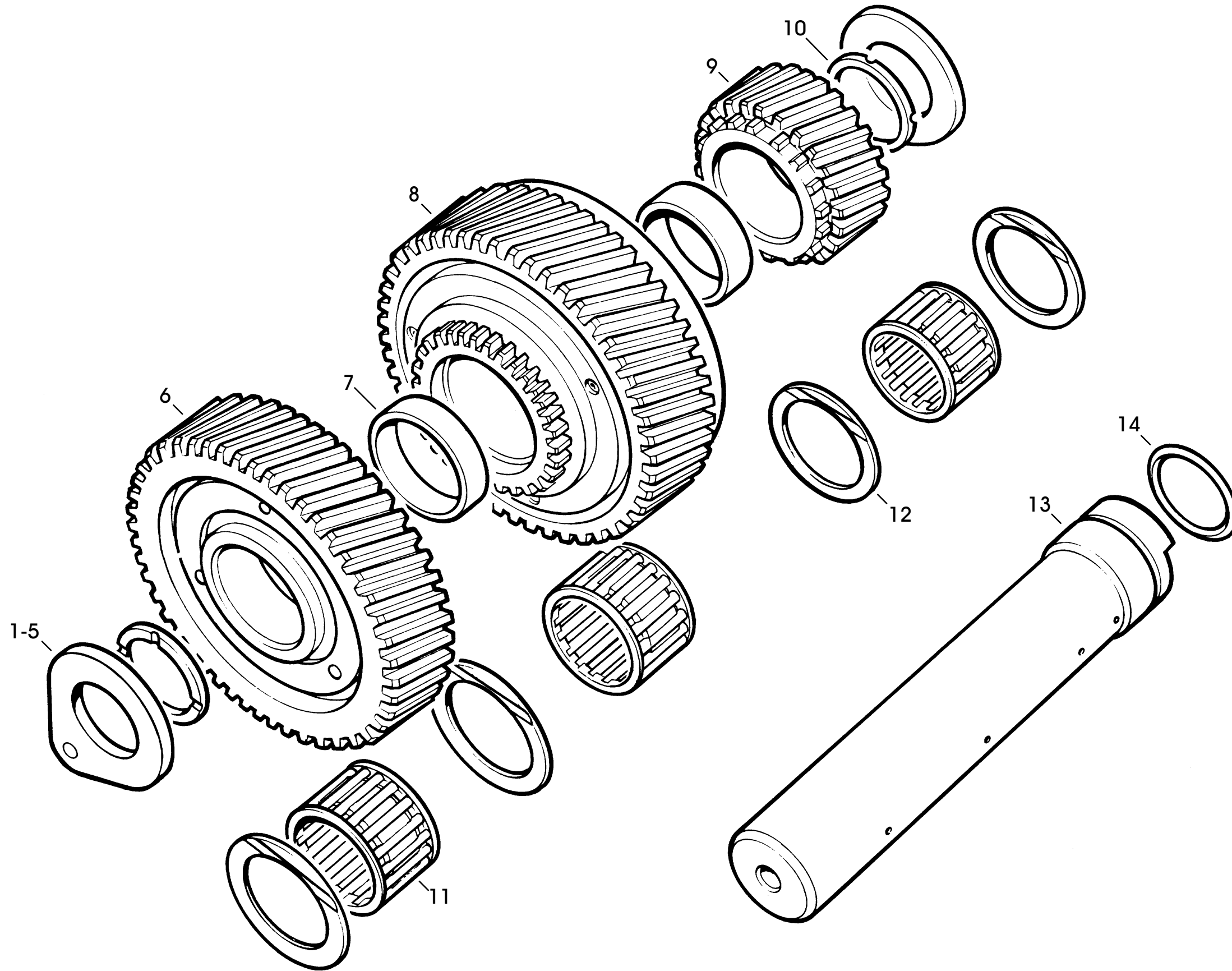
ITEM	NSN	DESCRIPTION	QTY	GOR
___ 0000		10008-1F18	1	
___ 0001	3040-99-823-7757	GEARSHAFT,HELICAL-S	1	B
___ 0002	3110-99-954-7554	BEARING,TAPERED,ROLLER	2	B
___ 0003	5330-99-333-3793	RING,SEALING,TOROID	1	B
___ 0004	5305-99-122-8666	SCREW,MACHINE:ISO M,6X1,RH,6G CL THD,ST, hex hd, stl, zn pld, ISO m, 6mm dia, 1mm	1	B
___ 0005	2590-99-828-8687	SHAFT,SHOULDERED	1	B
___ 0006	3020-99-823-7760	GEAR,SPUR	1	B
___ 0007	3110-99-823-7761	ROLLER ASSEMBLY,JOU	2	B
___ 0008	5365-99-137-3058	SPACER,RING stl, 30.250mm id, 36.750mm od, 1.673mm t	2	B
___ 0009	5365-99-823-7762	RING,RETAINING int, stl, 35.4mm id, 40mm od, 1.5mm thk	2	B

1G18 LAYSHAFT GEARS AND REVERSE (VIEW 2)



TEXT

ITEM	NSN	DESCRIPTION	QTY	GOR
0000		10008-1H18	1	
0001	5365-99-137-4502	SPACER,RING stl, 56mm id, 65mm od, 2.500 thk	1	B
0002	5365-99-753-4751	SPACER,RING stl, 56mm id, 65mm od, 2.475mm thk	1	B
0003	5365-99-137-4501	SPACER,RING stl, 56mm id, 65mm od, 2.450mm thk	1	B
0004	5365-99-753-4750	SPACER,RING stl, 56mm id, 65mm od, 2.425mm thk	1	B
0005	5365-99-137-4500	SPACER,RING stl, 56mm id, 65mm od, 2.400mm thk	1	B
0006	5365-99-753-4749	SPACER,RING stl, 56mm id, 65mm od, 2.375mm thk	1	B
0007	5365-99-137-4499	SPACER,RING stl, 56mm id, 65mm od, 2.350mm thk	1	B
0008	5365-99-753-4748	SPACER,RING stl, 56mm id, 65mm od, 2.325mm thk	1	B
0009	5365-99-137-4498	SPACER,RING stl, 56mm id, 65mm od, 2.300mm thk	1	B
0010	5365-99-753-4747	SPACER,RING stl, 56mm id, 65mm od, 2.275mm thk	1	B
0011	5365-99-137-4497	SPACER,RING stl, 56mm id, 65mm od, 2.250mm thk	1	B
0012	5365-99-753-4746	SPACER,RING stl, 56mm id, 65mm od, 2.225mm thk	1	B
0013	5365-99-137-4496	SPACER,RING stl, 56mm id, 65mm od, 2.200mm thk	1	B
0014	5365-99-753-4745	SPACER,RING stl, 56mm id, 65mm od, 2.175mm thk	1	B
0015	5365-99-137-4495	SPACER,RING stl, 56mm id, 65mm od, 2.150mm thk	1	B
0016	5365-99-753-4744	SPACER,RING stl, 56mm id, 65mm od, 2.125mm thk	1	B
0017	5365-99-137-4494	SPACER,RING stl, 56mm id, 65mm od, 2.100mm thk	1	B
0018	5365-99-753-4743	SPACER,RING stl, 56mm id, 65mm od, 2.075mm thk	1	B
0019	5365-99-137-4493	SPACER,RING stl, 56mm id, 65mm od, 2.050mm thk	1	B
0020	5365-99-753-4742	SPACER,RING stl, 56mm id, 65mm od, 2.025mm thk	1	B
0021	5365-99-137-4492	SPACER,RING stl, 56mm id, 65mm od, 2.000 thk	1	B
0022	5365-99-753-4741	SPACER,RING stl, 56mm id, 65mm od, 1.975mm thk	1	B
0023	5365-99-137-4491	SPACER,RING stl, 56mm id, 65mm od, 1.950mm thk	1	B
0024	5365-99-753-4740	SPACER,RING stl, 56mm id, 65mm od, 1.925mm thk	1	B
0025	5365-99-137-4490	SPACER,RING stl, 56mm id, 65mm od, 1.900mm thk	1	B
0026	5365-99-753-4739	SPACER,RING stl, 56mm id, 65mm od, 1.875mm thk	1	B
0027	5365-99-137-4489	SPACER,RING stl, 56mm id, 65mm od, 1.850mm thk	1	B
0028	5365-99-753-4738	SPACER,RING stl, 56mm id, 65mm od, 1.825mm thk	1	B
0029	5365-99-137-4488	SPACER,RING stl, 56mm id, 65mm od, 1.800mm thk	1	B
0030	5365-99-838-9987	SPACER,RING stl, 56mm id, 65mm od, 1.775mm thk	1	B
0031	5365-99-137-4487	SPACER,RING stl, 56mm id, 65mm od, 1.750mm thk	1	B
0032	5365-99-753-4736	SPACER,RING stl, 56mm id, 65mm od, 1.725mm thk	1	B
0033	5365-99-137-4486	SPACER,RING stl, 56mm id, 65mm od, 1.700mm thk	1	B
0034	5365-99-753-4735	SPACER,RING stl, 56mm id, 65mm od, 1.675mm thk	1	B
0035	5365-99-137-4485	SPACER,RING stl, 56mm id, 65mm od, 1.650mm thk	1	B
0036	5365-99-753-4756	SPACER,RING stl, 56mm id, 65mm od, 1.625mm thk	1	B
0037	5365-99-137-4484	SPACER,RING stl, 56mm id, 65mm od, 1.600mm thk	1	B
0038	5365-99-753-4734	SPACER,RING stl, 56mm id, 65mm od, 1.575mm thk	1	B
0039	5365-99-137-4483	SPACER,RING stl, 56mm id, 65mm od, 1.550mm thk	1	B

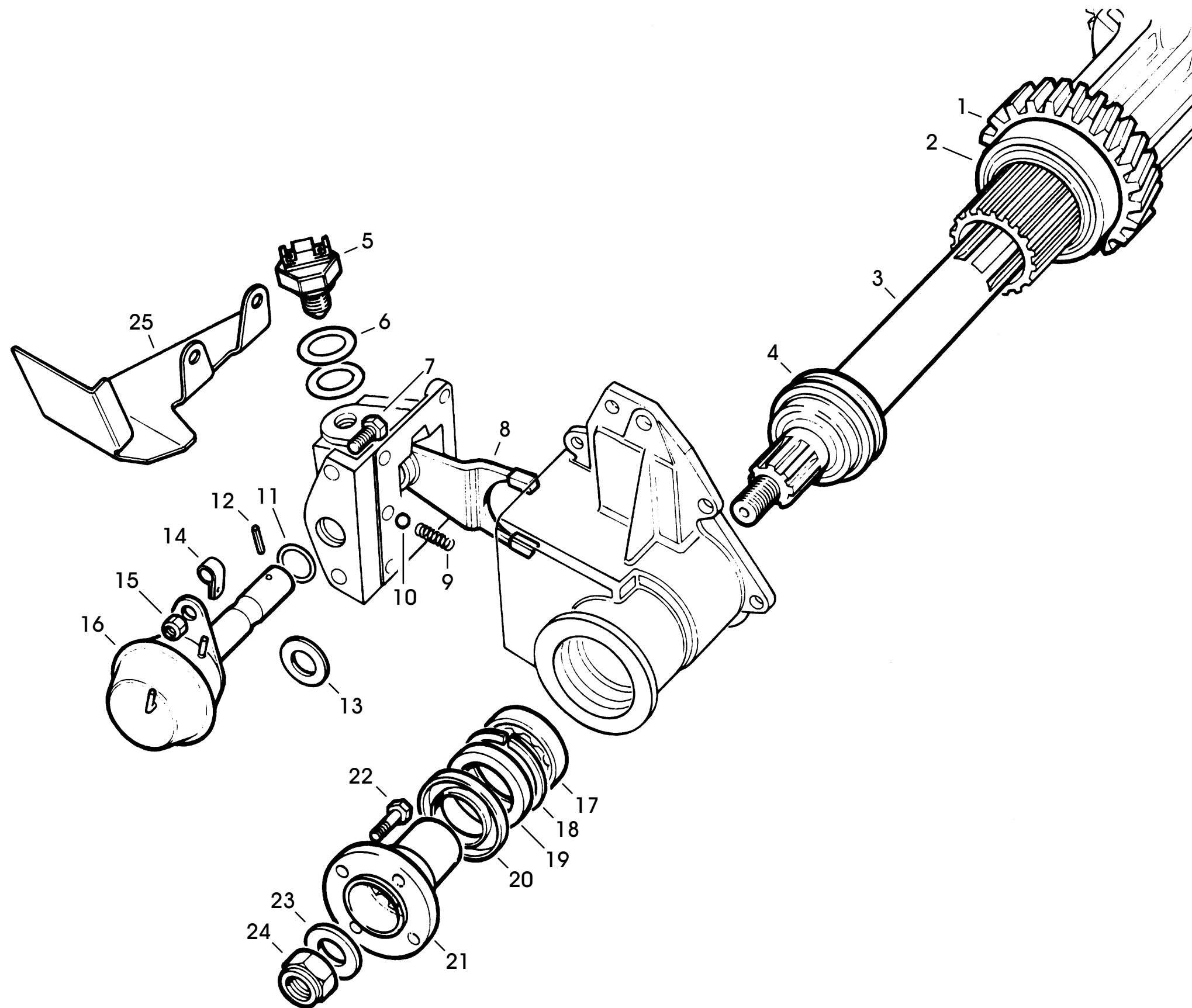


TEXT

___ 0106 ZPM1 R0000069 10008-1J18 INTERMEDIATE GEARS

ITEM	NSN	DESCRIPTION	QTY	GOR
___ 0000		10008-1J18	1	
___ 0001	2520-99-823-7767	WASHER ASSEMBLY,THR 3.55mm thk, c/w assembled pin	2	B
___ 0002	2520-99-796-6110	WASHER ASSEMBLY,THR 3.59mm thk, c/w assembled pin	2	B
___ 0003	2520-99-823-7768	WASHER ASSEMBLY,THR 3.67mm thk, c/w assembled pin	2	B
___ 0004	2520-99-823-7769	WASHER ASSEMBLY,THR 3.75mm thk, c/w assembled pin	2	B
___ 0005	2520-99-796-6112	WASHER ASSEMBLY,THR 3.79mm thk, c/w assembled pin	2	B
___ 0006	3020-98-856-0388	GEAR:P/O V8 LANDROVER	1	B
___ 0007	2520-99-823-8005	SPACER,SLEEVE	2	B
___ 0008	3020-99-823-7765	GEAR CLUSTER,HELICA	1	B
___ 0009	3020-99-823-7766	GEAR,DUPLEX	1	B
___ 0010	3120-99-137-4478	WASHER,THRUST	2	B
___ 0011	3110-99-823-8004	ROLLER ASSEMBLY,JOU	3	B
___ 0012	3120-99-137-4479	WASHER,THRUST	4	B
___ 0013	3040-99-835-0316	SHAFT,SHOULDERED	1	B
___ 0014	5330-99-873-8115	RING,SEALING,TOROIDAL:SYNTHETIC RUBBER,1 synth rbr, 1.375-in id, 1.625-in od	1	B

1K18 FRONT OUTPUT SHAFT AND VACUUM ACTUATOR

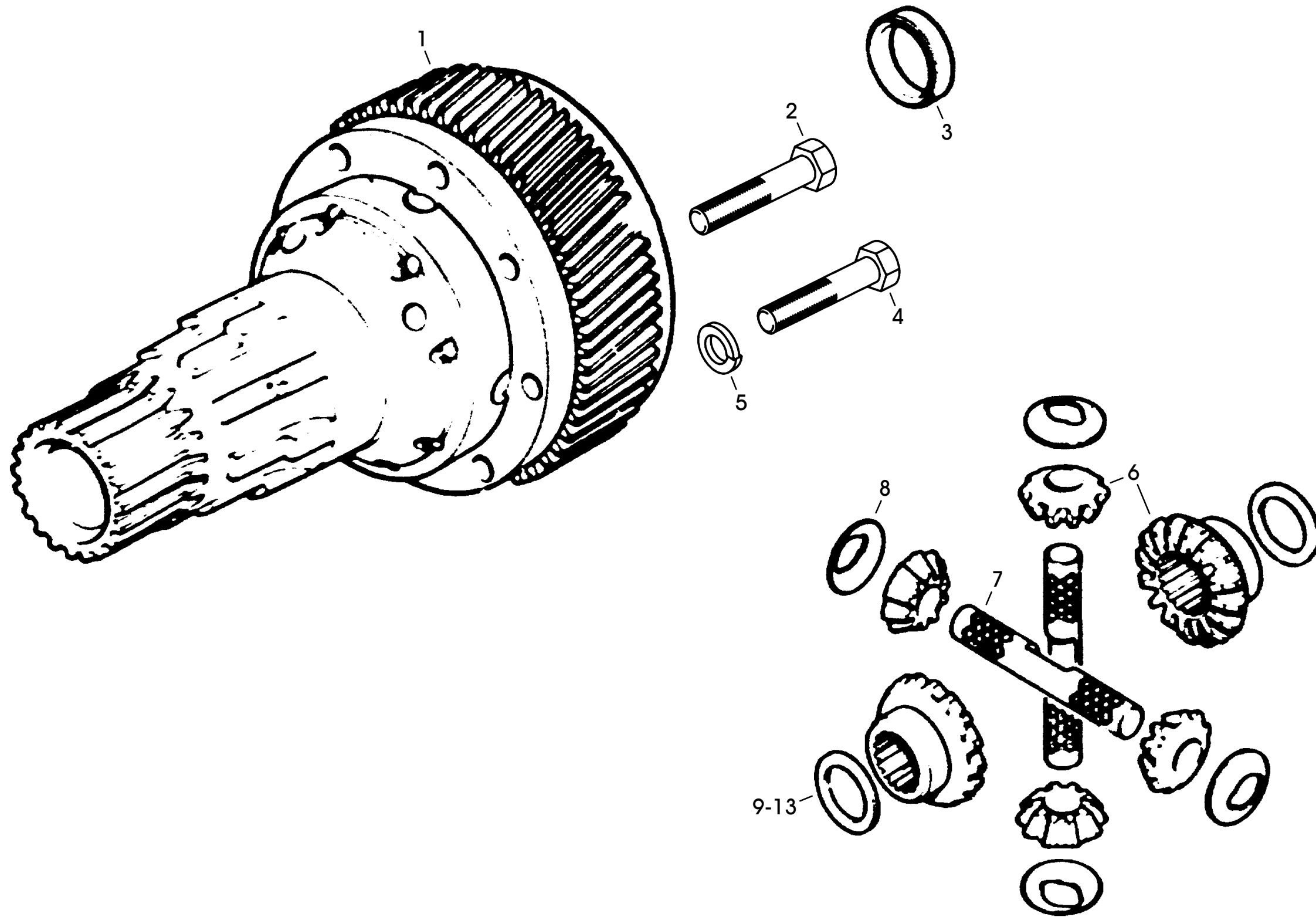


TEXT

0107 ZPM1 R00000084 10008-1L18 FR OUTPUT SHAFT & VACUUM ACT

ITEM	NSN	DESCRIPTION	QTY	GOR
0000		10008-1L18	1	
0001	3020-98-856-0389	GEAR:P/O V8 109IN.LANDROVER,MFR U1030-FR	1	B
0002	3110-99-823-8010	BEARING,TAPERED,ROL	1	B
0003	2520-98-856-0385	SHAFT:P/O V8 109IN.LANDROVER,MFR U1030-F	1	B
0004	2520-99-823-8009	CLUTCH,SLIDING SLEE	1	B
0005	5930-99-768-3325	SWITCH,PUSH	1	U
0006	5310-99-822-1853	WASHER, FLAT	1	U
0007	5305-99-135-0269	SCREW,MACHINE:METRIC,8 X 1.25,6G,RIGHT-H	2	F
0008	2520-99-823-8018	FORK,SELECTOR,GEARB	1	F
0009	5360-99-823-8019	SPRING,HELICAL,COMP 8.750mm od, 29.150mm free lg	1	F
0010	3110-99-805-9065	BALL,BEARING	1	F
0011	5330-99-822-1864	RING,SEALING,TOROID	1	F
0012	5315-99-822-1719	PIN,SPRING	1	F
0013	5330-99-822-1850	GASKET	1	F
0014	5340-99-792-4845	STRAP, RETAINING 0.312-in grip dia, 1.125-in lg, sgl hole	1	U
0015	5310-99-122-5496	NUT,SELF-LOCKING,HEXAGON:M8-1.25p M8, 1.25mm p, stl, zn pld, nylon insert	2	F
0016	2520-99-822-1863	VACUUM ACTUATOR	1	F
0017	3110-99-333-2992	BEARING, BALL, JOUR	1	F
0018	5365-99-801-8877	RING,RETAINING int, stl	1	F
0019	5330-99-822-1858	SEAL,PLAIN	1	U
0020	2520-99-823-8008	DEFLECTOR,DIRT AND	1	F
0021	2520-99-797-9192	FLANGE, COMPANION, UNIVERSAL JOINT	1	F
0022	5306-99-796-5383	BOLT,MACHINE	4	U
0023	5310-99-137-6191	WASHER,FLAT	1	U
0024	5310-99-122-5503	NUT,SELF-LOCKING,HEXAGON, M16 M16 - 2p, 16mm h, 24mm A/F, w/nyl insr,	1	U
0025	9999-98-ASC-0002	NOT PROVIDED (SHIELD)	1	F

1M18 DIFFERENTIAL TRANSFER BOX



TEXT

___ 0108 ZPM1 R00000099 10008-1N18 DIFFERENTIAL TRANSFER BOX

ITEM	NSN	DESCRIPTION	QTY	GOR
___ 0000		10008-1N18	1	
___ 0001	2520-99-823-8020	DIFF. ASSY 3RD *E*	1	F
___ 0002	5306-99-122-2777	BOLT, MACHINE hex hd, stl, zn pld, ISO m, 10mm dia, 1.	8	F
___ 0003	5365-99-807-1795	RING, RETAINING, OIL	1	F
___ 0004	5306-99-122-8669	BOLT, MACHINE hex hd, stl, zn pld, ISO metric, 10mm di	8	F
___ 0005	5310-99-135-4103	WASHER (1), LOCK: sp hlcl ring, 10mm bolt size, 15.9mm od,	8	F
___ 0006	3020-99-823-8022	GEAR SET,BEVEL,MATC	1	F
___ 0007	2520-99-774-2325	PIN,DIFFERENTIAL PI	1	F
___ 0008	3120-99-792-0856	BEARING, WASHER, TH	4	F
___ 0009	3120-99-087-1051	THRUST WASHER	1	F
___ 0010	3120-99-764-3089	WASHER, THRUST 1.15mm thk	1	F
___ 0011	3120-99-016-0487	WASHER 54mm od	1	F
___ 0012	3120-99-549-7513	BEARING,WASHER,THRUST:PLASTIC BS2572 TYP u/o LR	1	F
___ 0013	3120-99-051-6994	WASHER, THRUST u/o LR	1	F